

OPERATOR'S MANUAL

Zero-Turn Tractor Lapbar Controls

English	Page 1
Spanish (Español)	Page 35
French (Français)	Page 74

Record Product Information

Before setting up and operating your new equipment, please locate the model plate on the equipment and record the information in the provided area to the right. You can locate the model plate by lifting up the seat and looking under the seat pan. This information will be necessary, should you seek technical support via our web site or with your local authorized service dealer.

Model Number

Serial Number

WARNING

Read and follow all safety rules and instructions in this manual before attempting to operate this machine.

Failure to comply with these instructions may result in personal injury - SAVE THESE INSTRUCTIONS.

NOTE: This Operator's Manual covers several models. Features may vary by model. Not all features in this manual are applicable to all models and the model depicted may differ from yours.



Hydro-Gear® is a registered trademark of Hydro-Gear Limited Partnership.
Hydro-Gear® es una marca registrada de Hydro-Gear Limited Partnership.
Hydro-Gear® est une marque déposée d'Hydro-Gear Limited Partnership.

Tuff Torq® is a registered trademark of KANZAKI KOKYUKOKI MFG. CO. LTD.
Tuff Torq® is a registered trademark of KANZAKI KOKYUKOKI MFG. CO. LTD.
Tuff Torq® est une marque déposée de KANZAKI KOKYUKOKI MFG. CO. LTD.

SAFE OPERATION PRACTICES

WARNING



This symbol points out important safety instructions which, if not followed, could endanger the personal safety and/or property of yourself and others. Read and follow all instructions in this manual before attempting to operate this machine. Failure to comply with these instructions may result in personal injury. When you see this symbol, HEED ITS WARNING!

DANGER

This machine was built to be operated according to the safe operation practices in this manual. As with any type of power equipment, carelessness or error on the part of the operator can result in serious injury. This machine is capable of amputating hands and feet and throwing objects. Failure to observe the following safety instructions could result in serious injury or death.

GENERAL OPERATION

1. Read, understand, and follow all instructions on the tractor and in the manual(s) before attempting to assemble and operate. Keep this manual in a safe place for future and regular reference and for ordering replacement parts.
 2. Be familiar with all controls and their proper operation. Know how to stop the tractor and disengage them quickly.
 3. Never allow children under 14 years of age to operate this tractor. Children 14 and over should read and understand the instructions and safe operation practices in this manual and on the tractor and should be trained and supervised by an adult.
 4. Never allow adults to operate this tractor without proper instruction.
 5. If situations occur which are not covered in this manual, use care and good judgment. Contact your customer service representative for assistance.
 6. According to the U.S. Consumer Products Safety Commission (CPSC) and the U.S. Environmental Protection Agency (EPA), this product has an estimated useful life of seven (7) years, under ordinary use conditions. At the end of its useful life, have the product inspected annually to ensure all mechanical and safety systems are operating properly, safely, and are not worn excessively. Failure to do so may result in accident, injury, or death.
4. Always wear safety glasses or safety goggles during operation and while performing an adjustment or repair to protect your eyes. Thrown objects which ricochet can cause serious injury to the eyes.
 5. Wear sturdy, rough-soled work shoes and close-fitting slacks and shirts. Loose-fitting clothes, jewelry, and long hair can be caught in moving parts. Never operate this tractor in bare feet or sandals.
 6. Never overfill fuel tank. Fill tank to no more than 1/2 inch (13 mm) below bottom of filler neck to allow space for fuel expansion.
 7. Replace gasoline cap and tighten securely.
 8. Use only accessories and attachments approved for this tractor by the tractor manufacturer. Read, understand, and follow all instructions provided with the approved accessory or attachment.

OPERATING

1. Data indicates that operators, age 65 years and above, are involved in a large percentage of tractor-related injuries. These operators should evaluate their ability to operate the tractor safely enough to protect themselves and others from serious injury.
2. Disengage blade(s) and move the drive control levers fully outward to set the parking brake before attempting to start the engine.
3. Do not put hands or feet near rotating parts or under the cutting deck. Contact with the blade(s) can amputate hands and feet.
4. Watch for holes, ruts, bumps, rocks, or other hidden objects. Uneven terrain could overturn the tractor. Tall grass can hide obstacles.
5. Plan mowing pattern to avoid discharge of material toward roads, sidewalks, helpers, and the like. Avoid discharging material against a wall or obstruction which may cause discharged material to ricochet back toward the operator.

PREPARATION BEFORE OPERATING

1. Thoroughly inspect the area where the tractor is to be used. Remove all stones, sticks, wire, bones, toys, and other foreign objects which could be picked up and thrown by the blade(s). Thrown objects can cause serious personal injury.
2. To help avoid blade contact or a thrown object injury, keep helpers at least 75 feet (23 meters) from the tractor while it is in operation. Keep bystanders, children, and pets inside during operation. Stop tractor if anyone enters the area.
3. Be aware of the tractor discharge direction and do not point it at anyone.

SAFE OPERATION PRACTICES

6. Check overhead clearances carefully before driving under low hanging tree branches, wires, door openings, etc., where the operator may be struck or pulled from the tractor, which could result in serious injury.
7. Never leave a running tractor unattended. Always turn off blade(s), move drive control levers fully outward into park position, stop engine, and remove key before dismounting.
8. Disengage blade(s), move the drive control levers fully outward to set the parking brake, stop engine, and wait until the blade(s) come to a complete stop before removing grass catcher, emptying grass, unclogging chute, removing any grass or debris, or making any adjustments.
9. Your tractor is designed to cut normal residential grass of a height no more than 10 inches (25 cm). Do not attempt to mow through unusually tall, dry grass (e.g. pasture) or piles of dry leaves. Dry grass or leaves may contact the engine exhaust and/or build up on the tractor deck presenting a potential fire hazard.
10. Back up slowly. Always look down and behind before and while backing to avoid a back-over accident.
11. Never carry passengers.
12. Stay at least 10 feet (3 meters) from drop-offs, ditches, embankments, or the edge of water. The tractor could suddenly turn over if a wheel is over the edge of a cliff, ditch, or if an edge caves in.
13. A missing or damaged chute deflector can cause blade contact or thrown object injuries.
14. Do not operate the tractor without the chute deflector or entire grass catcher in its proper place.
15. Use extra care with grass catchers or other attachments. These can change the stability of the tractor. Always follow the attachment manufacturer's instructions.
16. Stop the blades when crossing gravel drives, walks, or roads and while not cutting grass.
17. Watch for traffic when operating near or crossing roadways. This tractor is not intended for use on any public roadway.
18. Mow only in daylight or good artificial light.
19. Do not operate the tractor while under the influence of alcohol or drugs.
20. Slow down before turning. Operate the tractor smoothly. Avoid erratic operation and excessive speed.
21. The muffler and engine become very hot and can cause serious burn injuries. Do not touch. Allow the tractor to cool for five minutes before attempting any service.
22. Never run an engine indoors or in a poorly ventilated area. Engine exhaust contains carbon monoxide, an odorless and deadly gas.

CHILDREN

1. Tragic accidents can occur if the operator is not alert to the presence of children. Children are often attracted to the tractor and the mowing activity. They do not understand the dangers. Never assume that children will remain where you last saw them.
2. Keep bystanders, children, and pets inside during operation under the watchful care of a responsible adult other than the operator. Stop tractor if anyone enters the area.
3. Never carry children, even with the blade(s) shut off. They may fall off or interfere with safe tractor operation, causing serious injury or death.
4. Children who have been given rides in the past could suddenly appear in the mowing area for another ride and be run over or backed over by the tractor, causing serious injury or death.
5. Be alert and turn tractor off if a child or bystander enters the area.
6. To avoid back-over accidents, always look behind and down for small children.
7. Use extreme care when approaching blind corners, doorways, shrubs, trees, or other objects that may block your vision of a child who may run into the path of the tractor.
8. Never allow children under 14 years of age to operate this tractor. Children 14 and over should read and understand the instructions and safe operation practices in this manual and on the tractor and should be trained and supervised by an adult.
9. Do not allow any child to joyride on the tractor. The tractor is not a toy or a go-cart. Warn children that the tractor can be dangerous and they must stay away from it at all times.
10. Keep children away from hot or running engines. They can suffer burns from a hot muffler.
11. Remove key when tractor is unattended to prevent unauthorized operation. Make certain the key is inaccessible to small children.

SLOPE OPERATION

1. Slopes are a major factor related to loss of control and tip-over accidents which can result in severe injury or death. All slopes require extra caution. If you cannot back up the slope or if you feel uneasy on it, do not mow it.
2. For safety, measure any slope before using the tractor on the sloped area. Use a slope measuring device in addition to the slope gauge included as part of this manual to measure slopes before operating this tractor on a sloped or hilly area. Smart phone applications can also be utilized to measure slopes. If the slope is greater than 15° (25%) as shown on the slope gauge or a slope measuring device, do not operate this tractor on that area or serious injury could result.
3. Do not mow on slopes greater than 15° (25%).

SAFE OPERATION PRACTICES

4. Do not mow up or down slopes, only mow across slopes that are less than 15° (25%). Use low speeds and avoid sudden turns.
 5. Do not mow on wet grass. Reduced traction could cause sliding or a loss of control.
 6. Do not operate tractor under any conditions where traction, steering, or stability is in question. Tires could slide even if the wheels are stopped.
 7. Avoid starting and stopping on slopes. Avoid making sudden changes in speed or direction. Make turns slowly and gradually.
 8. Use extra care while operating tractor with grass catcher or other attachment(s). They can affect the stability of the tractor. Do not use grass catcher on slopes greater than 10° (17%).
 9. Do not try to stabilize the tractor by putting a foot on the ground.
 10. Keep all movement on slopes slow and gradual. Do not make sudden changes in speed or direction. Rapid acceleration could cause the front of the tractor to lift and rapidly roll over backwards, which could cause serious injury or death.
2. Extinguish all cigarettes, cigars, pipes, and other sources of ignition.
 3. Use only an approved gasoline container.
 4. Never remove gas cap or add fuel while the engine is hot or running. Allow engine to cool at least five minutes before refueling.
 5. Never fuel tractor indoors.
 6. Never store the tractor or fuel container inside where there is an open flame, spark, or pilot light as on a water heater, space heater, furnace, clothes dryer, or other gas appliances.
 7. If gasoline is spilled, wipe it off the engine and equipment. Clean up oil or fuel spillage and remove any fuel-soaked debris. Move tractor to another area. Wait five minutes before starting the engine.
 8. To reduce fire hazards, keep tractor free of grass, leaves, or other debris build-up. Follow the Post-Operation Tractor Care instructions in the Product Care section.
 9. The tractor is designed to cut normal residential grass of a height no more than 10 inches (25 cm). Do not attempt to mow through unusually tall, dry grass (e.g., pasture) or piles of dry leaves. Dry grass or leaves may contact the engine exhaust and/or build up on the tractor deck presenting a potential fire hazard.
 10. Never overfill fuel tank. Fill tank to no more than 1/2 inch (13 mm) below bottom of filler neck to allow space for fuel expansion.
 11. Replace gasoline cap and tighten securely. Do not operate without fuel cap in place.
 12. Allow tractor to cool at least five minutes before fueling or storing.
 13. Never fill containers inside a vehicle or on a truck or trailer bed with a plastic liner. Always place containers on the ground away from your vehicle before filling.
 14. When practical, remove gas-powered equipment from the truck or trailer and refuel it on the ground. If this is not possible, then refuel such equipment on a trailer with a portable container, rather than from a gasoline dispenser nozzle.
 15. Keep the nozzle in contact with the rim of the fuel tank or container opening at all times until fueling is complete. Do not use a nozzle lock-open device.

SLOPE GAUGE (BACK COVER)

WARNING

Slopes are a major factor related to slip and fall accidents which can result in severe injury or death. All slopes require extra caution. If you feel uneasy on the slope, do not mow it. Do not mow on slopes greater than 15° (25%). Do not mow up and down slopes, only mow across slopes.

USE THE SLOPE GAUGE ON THE BACK COVER AS SHOWN TO DETERMINE IF A SLOPE IS TOO STEEP FOR SAFE OPERATION!

To check the slope, proceed as follows:

1. Open manual to the back cover and fold along the dashed line.
2. Locate a vertical object on or behind the slope (e.g., a pole, building, fence, tree, etc.).
3. Align either side of the slope gauge with the object.
4. Adjust gauge up or down until the left corner touches the slope.
5. If there is a gap below the gauge, the slope is too steep for safe operation.

FIRE AND FUEL

1. To avoid personal injury or property damage use extreme care in handling gasoline. Gasoline is extremely flammable and the vapors are explosive. Serious personal injury can occur when gasoline is spilled on yourself or your clothes, which can ignite. Wash your skin and change clothes immediately.

HAULING

1. Use properly secured full width ramps for loading and unloading tractor for transport.
2. Use extra care when loading or unloading the tractor into a trailer or truck. This tractor should not be driven up or down ramp(s), because the tractor could tip over, causing serious personal injury. The tractor must be pushed manually on ramp(s) to load or unload properly.

SAFE OPERATION PRACTICES

3. Raise the deck to the highest position for loading clearance.

TOWING

1. Do not tow a load that exceeds 250 lbs (113 kg) rolling weight and never exceed 50 lbs (22 kg) tongue weight.
2. Do not attach towed equipment except at the hitch point of the tractor.
3. Never allow children or others in or on towed equipment.
4. Do not tow on slopes greater than 5° (9%). On slopes, the weight of the towed equipment may cause loss of traction, loss of control, and/or the ability to stop.
5. Always use extra caution when towing with a tractor capable of making tight turns (e.g., “zero-turn” tractor). Make wide turns to avoid jackknifing.
6. Travel slowly and allow extra distance to stop.

SERVICE

1. Keep machine in good working order. Do not use the tractor until worn or damaged parts are replaced.
2. To avoid serious injury or death, do not modify engine in any way. Tampering with the governor setting can lead to a runaway engine and cause it to operate at unsafe speeds. Never tamper with factory setting of engine governor. Do not change the engine governor settings or over-speed the engine. The governor controls the maximum safe operating speed of the engine.
3. Tractor blades are sharp. Wrap the blade or wear gloves, and use extra caution when servicing them.
4. Tractors with hydraulic pumps, hoses, or motors, and/or diesel injection systems have fluid systems under pressure. Fluid escaping under pressure may have sufficient force to penetrate skin and cause serious injury. If fluid is injected into the skin, seek immediate medical attention. Keep body and hands away from pinholes or nozzles that eject fluid under high pressure. If a leak occurs, have the tractor immediately serviced by an authorized dealer.
5. Before cleaning, repairing, or inspecting, make certain the blade(s) and all moving parts have stopped. Turn off the engine, remove the key, and disconnect the spark plug wire(s) and negative battery cable to prevent unintended starting.
6. Check to make sure the blades come to a complete stop in not more than five seconds after disengaging the blade disengagement control per the schedule shown on the Maintenance Schedule chart in the Product Care section of this manual. Measure the stopping time with a stop watch. If the blades do not stop completely in less than five seconds, the tractor should be serviced professionally by an authorized dealer.

7. Check the safety interlock system for proper function per the schedule shown on the Maintenance Schedule chart in the Product Care section of this manual. If the safety interlock system does not function properly, have the tractor serviced professionally by an authorized dealer.
8. Never tamper with the safety interlock system or other safety devices. Check their proper operation regularly.
9. Check the blade(s) and engine mounting bolt torque in accordance with the Maintenance Schedule chart in this manual. Also, visually inspect blade(s) for damage (e.g., excessive wear, bent, cracked). Replace the blade(s) with the original equipment manufacturer's (O.E.M.) blade(s) only.
10. Use of service parts which do not meet the original equipment specifications may lead to improper performance and compromise safety.
11. Keep all nuts, bolts, and screws tight to be sure the equipment is in safe working condition. Review the Maintenance Schedule chart in this manual for service interval information.
12. After striking a foreign object, stop the engine, remove the key, and disconnect the spark plug wire(s) and negative battery cable to prevent unintended starting. Thoroughly inspect the tractor for any damage. Repair the damage before starting and operating.
13. Never attempt to make adjustments or repairs to the tractor while the engine is running.
14. Grass catcher components and the chute deflector are subject to wear and damage which could expose moving parts or allow objects to be thrown. Frequently check components and replace immediately with original equipment manufacturer's (O.E.M.) parts only.
15. Maintain or replace safety and instruction labels, as necessary.
16. Observe proper disposal laws and regulations for gas, oil, etc., to protect the environment.

NOTICE REGARDING EMISSIONS

Engines which are certified to comply with federal EPA emission regulations for SORE (Small Off Road Equipment) are certified to operate on regular unleaded gasoline and may include the following emission control systems: Engine Modification (EM) and Three Way Catalyst (TWC), if so equipped.

When required, models are equipped with low permeation fuel lines and fuel tanks for evaporative emission control. Please contact Customer Support for information regarding the evaporative emission control configuration for your model.

SAFE OPERATION PRACTICES

SPARK ARRESTOR

WARNING



This machine is equipped with an internal combustion engine and should not be used on or near any unimproved forest-covered, brush-covered, or grass-covered land unless the engine's exhaust system is equipped with a spark arrestor meeting applicable local or state laws (if any).

If a spark arrestor is used, it should be maintained in effective working order by the operator. Federal laws apply on federal lands, states may have individual laws.

A spark arrestor for the muffler is available through your nearest engine authorized service dealer, or contact the service department, P.O. Box 361131, Cleveland, Ohio 44136-0019.

SAFETY SYMBOLS

This table depicts and describes safety symbols that MAY APPEAR on this product.

Symbol	Description
 <p data-bbox="236 687 409 715">OPESymbol.com</p>	<p>WARNING - READ THE OPERATOR'S MANUAL(S) - Read, understand, and follow all the safety rules and instructions in the manual(s) and on the tractor before attempting to operate this tractor. Failure to comply with this information may result in personal injury or death. Keep this manual in a safe location for future and regular reference. Using a Smart Phone, scan the QR code symbol to learn more information concerning the warnings contained on this tractor. You can also go to www.OPESymbol.com for more information.</p>
	<p>WARNING - AVOID THROWN OBJECTS INJURY - Keep helpers at least 75 feet (23 meters) from machine during operation. Remove all stones, sticks, wire, bones, toys, and other foreign objects which could be picked up and thrown by the blade(s). Do not operate the tractor without the discharge cover or entire grass catcher in its proper place.</p>
	<p>WARNING - AVOID CHILD BACKOVER/RUNOVER/BLADE INJURY - To avoid back-over accidents, always look behind and down for small children. Never carry children, even with the blade(s) shut off. Keep bystanders, children, and pets inside during operation under the watchful care of a responsible adult other than the operator. Stop tractor if anyone enters the area.</p>
	<p>WARNING - AVOID TIP-OVER/ROLL-OVER INJURY - Do not operate machine on a slope greater than 15° (25%). Do not mow up or down slopes, only mow across slopes that are less than 15° (25%). Use low speeds and avoid sudden turns on slopes. Stay at least 10 feet (3 meters) from drop-offs, ditches, embankments, or the edge of water.</p>

SAFE OPERATION PRACTICES

Symbol	Description
	<p>WARNING - AVOID FIRES - Your tractor is designed to cut normal residential grass of a height no more than 10 inches (25 cm). Do not attempt to mow through unusually tall, dry grass (e.g., pasture), or piles of dry leaves. Allow tractor to cool at least five minutes before fueling or storing inside an enclosed garage or storage shed.</p>
	<p>WARNING - AVOID AMPUTATION INJURY - Do not put hands or feet near or under the cutting deck. Contact with the blade(s) can amputate hands and feet.</p>
	<p>WARNING - AVOID AMPUTATION INJURY - Do not put hands or feet near rotating parts or under the cutting deck. Contact with the blade(s) can amputate hands and feet. Ensure that all safety devices (guards, shields, switches, etc.) are in place and working. Belt and/or blade spindle contact can crush or injure body parts.</p>
	<p>WARNING - AVOID CRUSH/PINCH POINT INJURY - Read, understand, and follow all the safety rules and instructions in the manual(s) and on the tractor before attempting to service this tractor. For foot lift models only, the deck lift system is spring-assisted and under tension. Always use the provided multi-tool (if equipped) to secure the lift system in the locked position before attempting to remove the mower deck.</p>
	<p>WARNING - REMOVE KEY - Always turn off blade(s), move the drive control levers outward into park position, stop engine, and remove key before dismounting. If you are leaving the tractor unattended, always remove the key to prevent unauthorized use by children or others.</p>
	<p>WARNING - AVOID TOWING RELATED INJURY - Do not tow a load that exceeds 250 lbs (113 kg) rolling weight and never exceed 50 lbs (22 kg) tongue weight. Never allow children or others in or on towed equipment. Do not tow on slopes greater than 5° (9%). On slopes, the weight of the towed equipment may cause loss of traction, loss of control, and/or loss of the ability to stop. Travel slowly and allow extra distance to stop.</p>

⚠ WARNING

Your Responsibility—Restrict the use of this power machine to persons who read, understand, and follow the warnings and instructions in this manual and on the machine - **SAVE THESE INSTRUCTIONS!**

SET-UP

NOTE: This Operator's Manual covers several models. Tractor features may vary by model. Not all features in this manual are applicable to all tractor models and the tractor depicted may differ from yours.

NOTE: All references in this manual to the left or right side and front or back of the tractor are from the operating position only. Exceptions, if any, will be specified.

PREPARATION

Remove the deck wash system nozzle adapter (if equipped) from the manual bag, store for future use.

Manually Moving the Tractor

For additional information, see G. Transmission Bypass Rods/Tabs on page 16.

HYDRO-GEAR® TRANSMISSION (IF EQUIPPED)

1. To engage the transmission bypass rods, pull the rod back (a) and into lower section of "J" slot (b). Repeat on opposite side (Fig. 1).

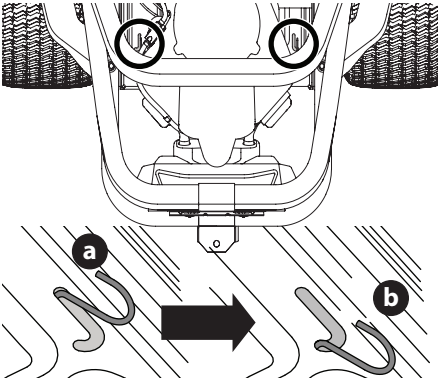


Fig. 1

2. After moving tractor, reverse Step 1 to disengage the bypass rods.

TUFF TORQ® TRANSMISSION (IF EQUIPPED)

1. To engage the transmission bypass tabs, pull tab out. Repeat on opposite side (Fig. 2).

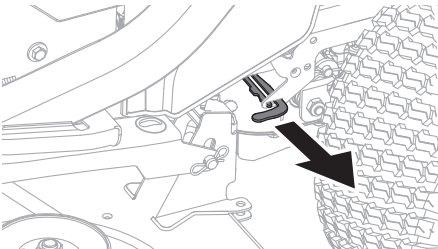


Fig. 2

2. After moving tractor, reverse Step 1 to disengage the bypass tabs.

Install Hitch (if necessary)

1. Locate hitch (a) and install on the rear of the frame using the two hex washer screws (b) provided (Fig. 3).

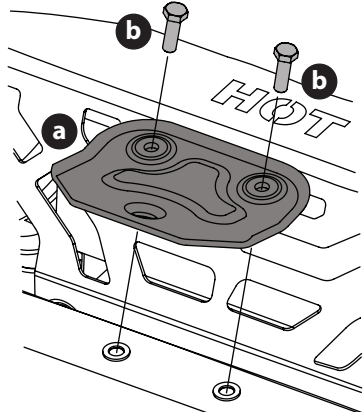


Fig. 3

NOTE: Hitch and hex washer screws will be in the hardware pack.

Reposition Upper Hoop (if equipped)

Upper hoop may be positioned down for shipping purposes:

1. Remove the two hex washer screws (a) partially installed on the frame (Fig. 4).

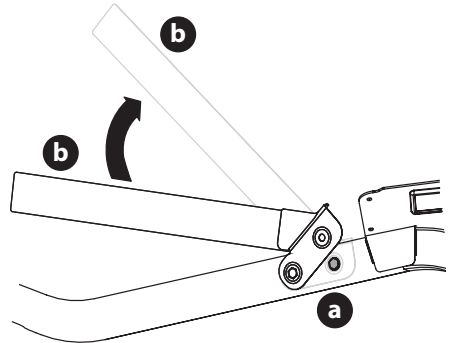


Fig. 4

2. Rotate the upper hoop (b) into position (Fig. 4).
3. Secure hoop in place with the hex washer screws removed in Step 1. Torque the hex washer screws to 159-239 in-lbs (18-27 N-m).

INSTALL OPERATOR'S SEAT

Knob Adjust or Lever Adjust

1. Cut any straps securing the seat assembly to the tractor. Remove all packing material.

NOTE: Be careful not to cut the seat wiring harness.

SET-UP

2. Install the seat onto the seat pan (a) using hardware provided (Fig. 5).
 - a. For a Knob Adjust seat insert bolts (b) in the rear holes and lock washer (c) and knobs (d) in the front. Tighten securely (Fig. 5).

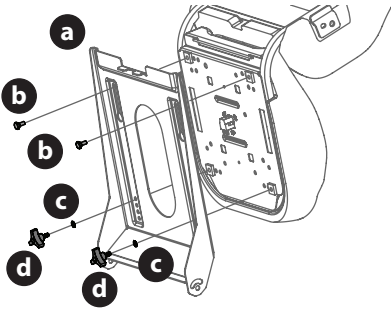


Fig. 5

- b. For a Lever Adjust seat use flange lock nuts (a) and flat washers (b) (Fig. 6).

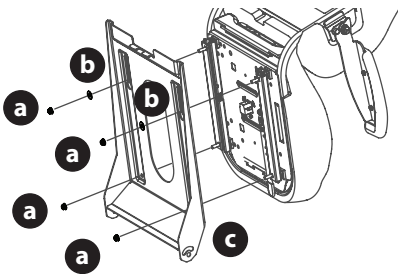


Fig. 6

3. If necessary, securely connect the seat switch wiring harness (a) to the seat switch (b) (Fig. 7). Secure excess wire away from pinch points before continuing.

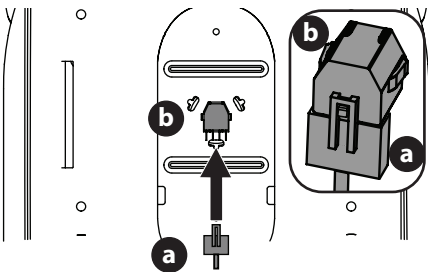


Fig. 7

NOTE: Tractor will not operate without the seat switch wiring harness connected.

POSITION LAPBAR DRIVE CONTROL LEVERS

The lapbar drive control levers can be adjusted up/down for the operator's comfort. Two height adjustments are available.

To adjust the lapbar drive control lever height, proceed as follows:

1. Remove the two carriage screws (a) and two flange lock nuts (b) that secure the lapbar drive control lever (c) to the upper handle adjuster (d) (Fig. 8).

NOTE: The multi-tool (if equipped) can be used to make this adjustment.

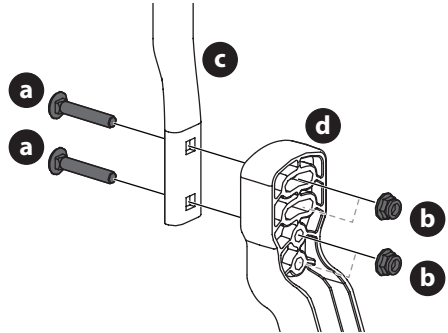


Fig. 8

2. Move the lapbar drive control lever (c) into one of two available heights and secure in place with the carriage screws (a) and flange lock nuts (b) (Fig. 8).

LOWER DISCHARGE CHUTE DEFLECTOR

⚠ WARNING

Never operate the mower deck without the chute deflector installed and in the down position.

Attaching the Chute Deflector (if necessary)

1. Remove the keys attached with a zip tie to the chute bracket.
2. Remove the flange lock nut and hex screw from the deck.
3. Place the chute deflector on the deck, be sure to insert the tabs on the chute deflector into the holes on the deck (Fig. 9 on page 10).

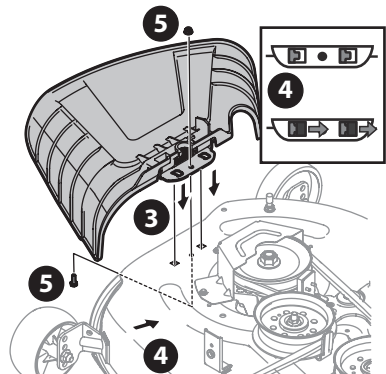


Fig. 9

SET-UP

- Slide the chute deflector toward the rear of the tractor until the bolt hole in the chute deflector aligns with the hole in the deck (Fig. 9).
- Secure the chute deflector in place with the flange lock nut and hex screw removed in Step 2. Tighten to 102-124 in-lbs (12-14 N-m). Skip ahead to Setting Deck Wheels (if equipped).
- Insert the shoulder screw into one of four index holes on the deck wheel bracket. Allow a 1/4-1/2 inch (6.35-12.7 mm) clearance between the ground and gauge wheel.
- Note the index hole used on previously adjusted wheel. Repeat adjustment on opposite side to align both gauge wheels.

Removing the Stop Bracket (if necessary)

- If the chute is shipped attached and with a stop bracket holding the chute upright, the stop brackets must be removed prior to operating the tractor.
- Holding the chute deflector fully upward, remove the stop bracket. Lower the chute deflector and discard the stop bracket (Fig. 10).

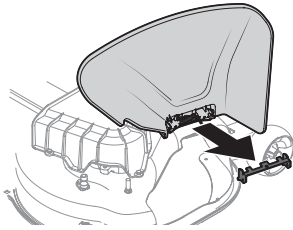


Fig. 10

SETTING DECK WHEELS (IF EQUIPPED)

NOTE: The deck wheels are an anti-scalp feature of the deck and are not designed to support the weight of the cutting deck.

- Move the tractor to a level surface, preferably pavement.
- Check tire pressure, adjust if necessary. See tire side wall for proper tire pressure.
- Make sure the deck is level side-to-side and properly pitched. See the Product Care section for deck leveling information and instructions.
- Place deck lift lever, knob or pin in the desired mowing height position and lower deck.
- Check the wheels for contact or excessive clearance with the surface below.

NOTE: The deck wheels should have between 1/4-1/2 inch (6.35-12.7 mm) clearance above the ground.

- Remove the lock nut (a), gauge wheel (b) and shoulder screw (c) from the deck (Fig. 11).

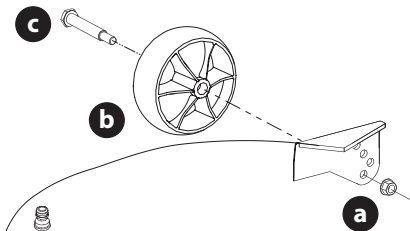


Fig. 11

NOTE: Refer to Adjustments section of this manual for more detail.

BATTERY INFORMATION

⚠ WARNING

Should battery acid accidentally splatter into the eyes or onto the skin, rinse the affected area immediately with clean cold water. Seek prompt medical attention.

If acid spills on clothing, first dilute it with clean water, then neutralize with a solution of ammonia/water or baking soda/water.

NEVER connect (or disconnect) battery charger clips to the battery while the charger is turned on, as it can cause sparks.

Keep all sources of ignition (cigarettes, matches, lighters) away from the battery. The gas generated during charging can be combustible.

As a further precaution, only charge the battery in a well ventilated area.

Always shield eyes and protect skin and clothing when working near batteries.

Batteries contain sulfuric acid and may emit explosive gases. Use extreme caution when handling batteries. Keep batteries out of the reach of children.

The battery may present a risk of fire or chemical burn if misused. Do not open, disassemble, overheat, or incinerate the battery.

⚠ CAUTION

When attaching battery cables, always connect the **POSITIVE (Red)** wire to the terminal first, followed by the **NEGATIVE (Black)** wire.

NOTE: The positive battery terminal is marked Pos. (+). The negative battery terminal is marked Neg. (-).

Connecting Battery Cables

⚠ WARNING

Always connect the positive lead to the battery before connecting the negative lead. This will prevent sparking or possible injury from an electrical short caused by contacting the tractor body with tools being used to connect the cables.

For shipping reasons the factory may leave both battery cables disconnected from the terminals. To connect the battery cables, proceed as follows:

NOTE: Wiring harness should lay on top of battery hold down rod, otherwise damage to the wiring harness may result (Fig. 15 on page 13).

MODELS WITH LEAD-ACID BATTERY

1. If present, remove the plastic cover from the positive battery terminal. Attach the red connector to the positive battery terminal (+) using the bolt (a) and hex nut (b) (Fig. 12).
2. Position the red rubber boot (c) over the positive battery terminal to help protect it from corrosion (Fig. 12).
3. If present, remove the plastic cover from the negative battery terminal and attach the black cable to the negative battery terminal (-) with the bolt (a) and hex nut (b) (Fig. 12).

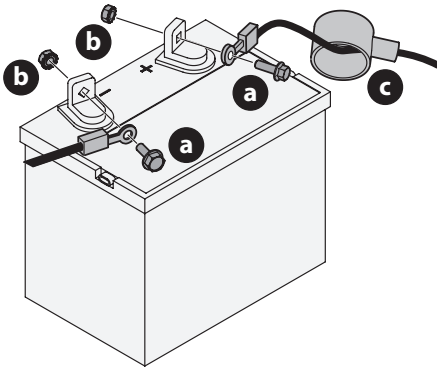


Fig. 12

NOTE: If the battery is put into service after date shown on top/side of battery, charge the battery as instructed in the Charging the Battery section, prior to operating.

MODELS WITH AGM BATTERY

1. Remove the hex screws (a) and square nuts (b) located either on the end of the wiring harness or in the bag with this manual. Retain the hardware for later instructions (Fig. 13).
2. Remove the plastic cover (c), if present, from the positive battery terminal (d) and attach the red cable (e) to the positive battery terminal (d) with one of the hex screws (a) and square nuts (b), from Step 1. Use a Philips screw driver (Fig. 13).
3. Position the red rubber boot over the positive battery terminal to help protect it from corrosion (Fig. 13, inset).
4. Remove the plastic cover (c), if present, from the negative battery terminal (f) and attach the black cable (g) to the negative battery terminal (f) with the remaining hex screw (a) and square nut (b) (Fig. 13).

NOTE: If the battery is put into service after date shown on top/side of battery, charge the battery as instructed in the Charging the Battery section, prior to operating.

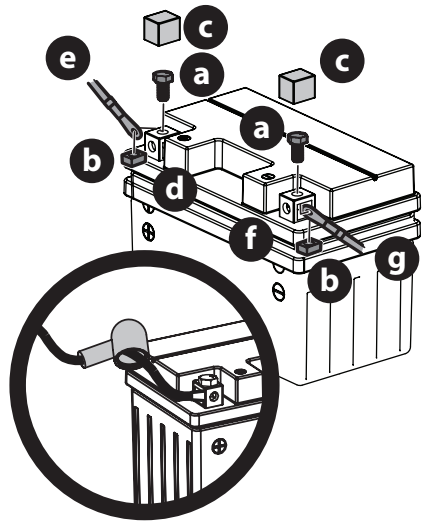


Fig. 13

Battery Maintenance

- Some batteries are filled with battery acid and then sealed at the factory. However, even a “maintenance free” battery requires some maintenance to ensure its proper life cycle.
- Spray the terminals and exposed wire with a battery terminal sealer, or coat the terminals with a thin coat of grease or petroleum jelly, to protect against corrosion.
- Always keep the battery cables and terminals clean and free of corrosion.

- Some models are equipped with a battery containing a liquid electrolyte. Handle the battery with care and avoid tipping to prevent leakage.

Battery Storage

- When storing the tractor for extended periods, disconnect the negative battery cable. It is not necessary to remove the battery.
- All batteries discharge during storage. Keep the exterior of the battery clean, especially the top. A dirty battery will discharge more rapidly.
- The battery must be stored with a full charge. A discharged battery can freeze sooner than a charged battery. A fully charged battery will store longer in cold temperatures than hot.
- Recharge the battery before returning to service. Although the tractor may start, the engine charging system may not fully recharge the battery.

Battery Removal

⚠ WARNING

Battery posts, terminals, and related accessories contain lead and lead compounds. Wash hands after handling.

The battery is located beneath the seat frame. To remove the battery:

MODELS WITH LEAD-ACID BATTERY

1. Remove the hex cap screw and hex nut securing the black negative battery lead to the negative battery post (marked NEG (-)). Move the cable away from the negative battery post.
2. Remove the hex cap screw and hex nut securing the red positive battery lead to the positive battery post (marked POS (+)).
3. Remove the hex washer screw (a) securing the battery hold-down rod (b) to the frame. Then flip the battery hold-down rod (b) up to free the battery (Fig. 14).

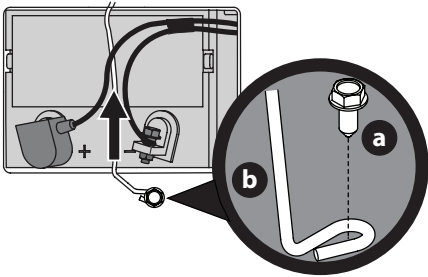


Fig. 14

4. Carefully lift the battery out of the tractor.
5. Install the battery by repeating the above steps in the reverse order.

MODELS WITH AGM BATTERY

1. Remove the hex screw and square nut securing the black negative battery lead to the negative battery post (marked NEG (-)). Move the cable away from the negative battery post.
2. Remove the hex screw and square nut securing the red positive battery lead to the positive battery post (marked POS (+)).
3. Remove the hex washer screw (a) securing the battery hold-down rod (b) to the frame. Then flip the battery hold-down rod (b) up to free the battery (Fig. 15).

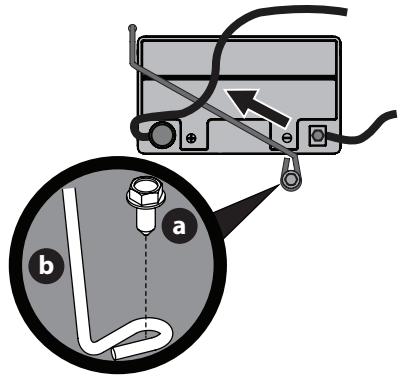


Fig. 15

4. Carefully lift the battery out of the tractor.
5. Install the battery by repeating the above steps in the reverse order.

Charging the Battery

Test and, if necessary, recharge the battery after the tractor has been stored for a period of time.

MODELS WITH LEAD-ACID BATTERY

- A voltmeter or load tester reading of 12.4 volts (DC) or lower across the battery terminals indicates that the battery needs to be charged.
- A lead-acid battery charger should be used. Recommended charge rate is 4A/14.7V.
- If your battery charger is automatic, charge the battery until the charger indicates that charging is complete. If the charger is not automatic, charge for no fewer than eight (8) hours.

MODELS WITH AGM BATTERY

- An AGM battery charger should be used. Recommended charge rate is 1.1A/14.8V.

IMPORTANT! Do NOT use an automotive charger.

- If your battery charger is automatic, charge the battery until the charger indicates that charging is complete. If the charger is not automatic, charge for no fewer than eight (8) hours.

ADJUSTING THE SEAT

Knob Adjust

1. Remove the knobs (a) (Fig. 16).
2. Slide the seat up or down into the desired position.
3. Replace the knobs into one of the four hole settings and tighten securely (Fig. 16).

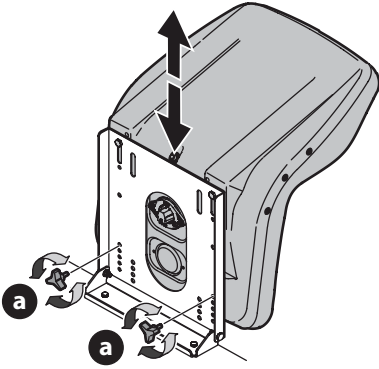


Fig. 16

Lever Adjust

1. Push left and hold the seat adjustment lever to adjust the seat position.
2. Slide seat forward or rearward to desired position.
3. Release the adjustment lever. Ensure seat is locked into position before operation (Fig. 17).

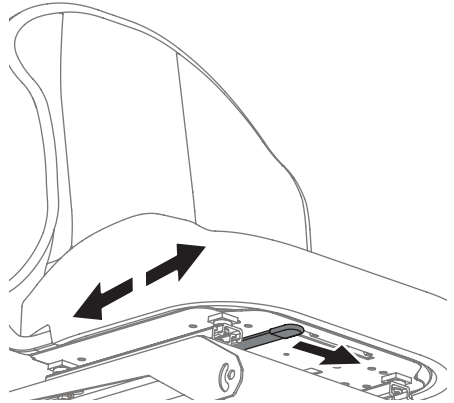


Fig. 17

OPERATION

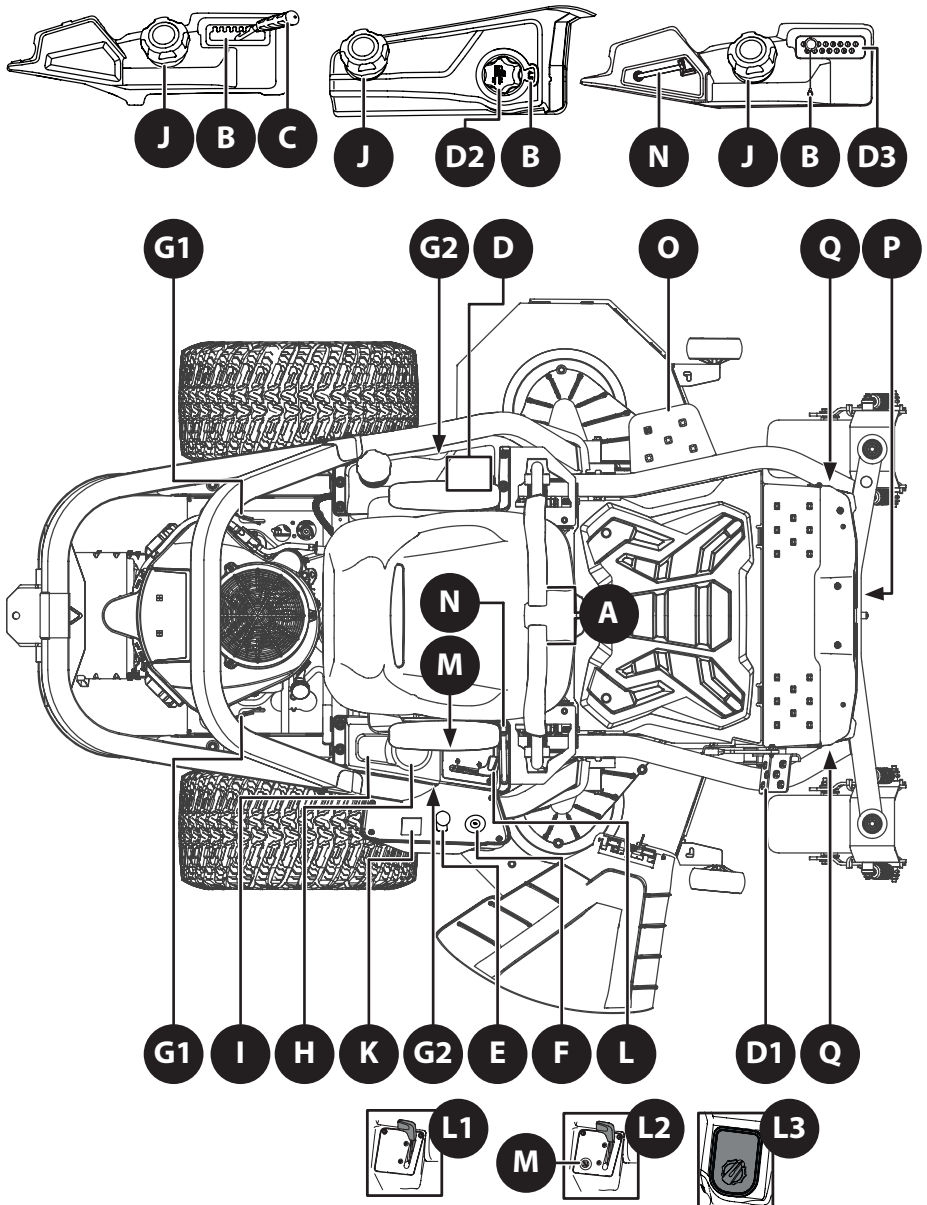


Fig. 18

A. LAPBAR DRIVE CONTROL LEVERS

The RH (Right Hand) and LH (Left Hand) lapbar drive control levers are located on each side of the operator's seat. The hinged levers pivot outward to permit the operator to sit in the seat or dismount. To start the tractor's engine, the lapbar drive control levers must be fully out and in park position. When the lapbar drive control levers are fully outward, the parking brake is engaged.

NOTE: This Operator's Manual covers several models. Tractor features may vary by model. Not all features in this manual are applicable to all tractor models and the tractor depicted may differ from yours.

NOTE: All references in this manual to the left or right side and front or back of the tractor are from the operating position only. Exceptions, if any, will be specified.

OPERATION

Each drive control lever controls the respective transmission. Consequently, these levers control all of the tractor's movements. Driving and steering using these control levers is quite different from a conventional tractor and will take practice to master. Refer to Practice Operation (initial use) section for further instructions.

B. DECK HEIGHT INDEX

If equipped with a deck lift handle:

Each height index notch corresponds to approximately a 1/2 inch (12.7 mm) change in deck height (C in Fig. 18).

If equipped with a deck lift pedal and knob:

Each rotation represents a 1/4 inch (6.35 mm) change in deck height. Positions range from 1 inch (2.5 cm) to 4-1/2 inches (11.4 cm) at the highest point (D1 and D2 in Fig. 18).

If equipped with a deck lift pedal and 15 position magnetic pin: Each position represents a 1/4 inch (6.35 mm) change in deck height. Positions range from 1 inch (2.5 cm) to 4-1/2 inches (11.4 cm) at the highest point (D1 and D3 in Fig. 18).

C. DECK LIFT HANDLE (IF EQUIPPED)

The deck lift handle is used to raise and lower the mower deck. To lower the deck, pull the deck lift handle to the right out of the index notch and push downward. To raise the deck, pull upward. Ensure handle is fully positioned into the height index notch when the desired height is attained.

D. DECK LIFT

- 1. Deck Lift Pedal (if equipped)** - The deck lift pedal is located on the front, right corner of the platform. The pedal is used in conjunction with the deck lift knob (if equipped) or 15 position magnetic pin (if equipped) to raise and lower the mowing deck. Push forward on the deck lift pedal, rotate the deck lift knob or move the magnetic pin to the desired height and release the deck lift pedal.
- 2. Deck Lift Knob (if equipped)** - The deck lift knob is used in conjunction with the deck lift pedal (if equipped) to raise and lower the mowing deck. Push forward on the deck lift pedal, rotate the deck lift knob to the desired height and release the deck lift pedal.
- 3. 15 Position Magnetic Pin (if equipped)** - The 15 position magnetic pin deck lift is used in conjunction with the deck lift pedal (if equipped) to raise and lower the mowing deck. Push forward on the deck lift pedal, place the magnetic pin in the desired height and release the deck lift pedal.
IMPORTANT! Make sure magnetic pin is fully seated.

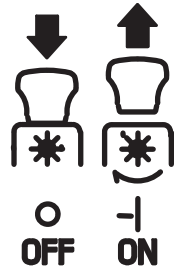
NOTE: Amount of deck height change is dependent on depth of deck lift pedal press. The more height change needed, the more the deck lift pedal should be pushed forward.

E. POWER TAKE-OFF (PTO)

Electric PTO (if equipped)

The PTO switch operates the electric PTO clutch mounted on the bottom of the engine crankshaft. Pull the switch knob upward to engage the PTO clutch or push the knob downward to disengage the clutch.

The PTO switch must be in the "OFF" position when starting the engine.






F. IGNITION SWITCH

⚠ WARNING

Never leave a running tractor unattended. Always disengage PTO, set parking brake, stop tractor, and remove the key to prevent unauthorized operation.

The ignition switch has three positions:

- STOP  — The engine and electrical system is turned off.
- RUN  — The tractor electrical system is energized.
- START  — The starter motor will turn over the engine. Release the key immediately when the engine starts.

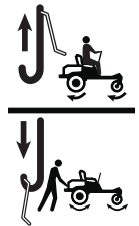
NOTE: To prevent accidental starting and/or battery discharge, remove key from the ignition switch when tractor is not in use.

G. TRANSMISSION BYPASS RODS/TABS

⚠ CAUTION

Never tow your tractor. Towing the tractor with the rear wheels on the ground may cause severe damage to the transmissions.

- 1. Hydro-Gear® Transmission (if equipped)** - The transmission bypass rods (one for each RH and LH transmission) are located on the rear of the tractor, next to the engine. When engaged, the two rods open a bypass within the hydrostatic transmissions, which allows the tractor to be pushed short distances by hand. Refer to the Set-Up section for additional instructions.



- 2. Tuff Torq® Transmission (if equipped)** - The transmission bypass



tabs (one for each RH and LH transmission) are located on the sides of the tractor, in front of the rear tires near the frame. When engaged, the two tabs open a bypass within the hydrostatic transmissions, which allows the tractor to be pushed short distances by hand. Refer to the Set-Up section for additional instructions.

H. CUP HOLDER

The cup holder is located on the top of the console.

I. STORAGE TRAY

The storage tray is located to the rear of the console.

J. FUEL TANK CAP

Turn the fill cap at least two turns counter-clockwise and pull upward to remove. The fuel cap is tethered to the tractor to prevent its loss. Do not attempt to remove the cap from the tractor. Fill tank to 1/2 inch (12.7 mm) below the bottom of the filler neck, allowing some space in the tank for fuel expansion. Do not overfill the tank.

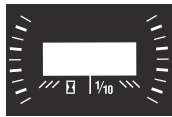
Push the cap downward on the fuel tank fill neck and turn at least two clicks clockwise to tighten. Always re-install the fuel cap tightly onto the fuel tank after removing.


WARNING

Never fill the fuel tank when the engine is running. If the engine is hot from recently running, allow to cool for at least five minutes before refueling. Highly flammable gasoline could splash onto the engine and cause a fire.

K. HOUR METER AND LCD SERVICE MINDER (IF EQUIPPED)

The hour meter and LCD service minder will remind the operator of maintenance intervals for changing the engine oil, air filter service, low engine oil pressure and low battery warnings. When the key is rotated out of the STOP position but is not in the START position, the hour meter and LCD service minder will briefly display the battery voltage, followed by the tractor's accumulated hours.



NOTE: When the ignition key is out of the STOP position the hourglass  symbol is illuminated/blinks to indicate it is recording the hours of tractor operation, regardless of whether the engine has been started.

Change Oil

The LCD screen will alternate the letters "CHG", followed by "OIL", followed by "SOON", followed by the meter's accumulated time. "CHG/OIL/SOON/TIME" will alternate on the display for 7 minutes after the meter reaches 50 hours. This oil service minder interval will occur every 50 hours. Before the interval expires, change the engine oil as instructed in the Engine Operator's Manual.

Low Oil

NOTE: The low oil pressure function only works if the engine is equipped with an oil pressure switch.

The LCD screen will alternate the letters "LO" followed by "OIL", followed by the meter's accumulated time, which indicates the engine has low oil pressure. This is common when starting an engine. The indicator will remain active until the engine sufficiently builds pressure after starting. If it remains on with

the engine at full speed and after a few minutes of operation, stop the tractor immediately and check the engine oil level and add as instructed in the Engine Operator's Manual. If the oil level is correct and the indicator persists, contact an authorized service dealer.

Low Battery

At startup, the battery voltage will briefly display, then changes to accumulated hours. The letters "LO" followed by the letters "BATT" will display, followed by the meter's accumulated time. "LO/BATT/TIME" is displayed on the LCD when the voltage drops below 11.5 volts. When this occurs, the battery is in need of a charge or the engine's charging system is not generating sufficient amperage. Charge the battery as instructed in the Charging the Battery section of this manual or have the charging system checked by your local service dealer.

Air Filter Service

The LCD screen will display the letters "CLN" followed by the letters "AIR", followed by "FILT", followed by the meter's accumulated time. "CLN/AIR/FILT/TIME" will alternate on the display for 7 minutes after the meter reaches 25 hours. This air filter service minder time interval will be every 25 hours. On intervals that are common with oil service, the oil message will be displayed first followed by the air filter message.

L. THROTTLE/CHOKE CONTROL LEVER, THROTTLE CONTROL OR ELECTRONIC GOVERNOR CONTROL

NOTE: When set in a given position, a uniform engine speed will be maintained.

Refer to Fig. 18 to identify your tractor controls:

- 1. Throttle/Choke Control Lever (L1) (if equipped) -** Push the throttle/choke control lever forward to increase the engine speed. The tractor is designed to operate with the throttle/choke control lever at full throttle (FAST) when the tractor is being driven and the mower deck is engaged. Pull the throttle/choke control lever rearward to decrease the engine speed. When starting the engine, push the control lever fully forward into the CHOKE position. After starting and warming the engine, move the control lever rearward until you feel it move past the choke detent. Throttle is not meant to control unit speed, throttle should remain in high speed while operating blades.
- 2. Throttle Control (L2) (if equipped) -** Push the throttle control lever forward to increase the engine speed. The tractor is designed to operate with the throttle control lever at full throttle (FAST) when the tractor is being driven and the tractor deck is engaged. Pull the throttle control lever rearward to decrease the engine speed.

NOTE: Separate choke control should be in the full choke position when starting engine. If the engine is warmed up, it may not be necessary to choke the engine.

3. Electronic Governor Control (L3) (if equipped) -

When set in a given position, a uniform engine speed will be maintained. To increase engine revolutions per minute (RPM), turn knob clockwise.

MIL (if equipped) - The Multifunction Indicator Light (MIL) provides diagnostic information for the engine. If the MIL lights up and/or flashes see the service manual or contact your service center.

NOTE: Choke is automatically controlled on models with electronic governor control.

M. CHOKE CONTROL (IF EQUIPPED)

The choke control determines the position of the engine choke. Pull the knob out to choke the engine; push the knob in to open the choke.



N. MULTI-TOOL (FOOT DECK LIFT MODELS ONLY)

The multi-tool is located on the left console for models with the 15 position magnetic pin and the front of the right console for all other models. The multi-tool can be used as a deck lift lockout, to remove the footpan bolt, adjust the height of the lapbar drive control levers, drive control lever stop adjustment and can be used as a removal tool with the 1/2 inch socket end. See the Product Care section for more information on multi-tool usage.

O. SIDE STEP (IF EQUIPPED)

A side step may be included on some models to allow for ease in getting on and off the mower. If equipped, the side step is attached to the tractor frame to the left of the floor panel.

P. HEADLIGHTS (IF EQUIPPED)

The headlights are located on the front of the frame. The headlights are ON whenever the ignition key is rotated out of the STOP position and OFF when the ignition key is moved to the STOP position.

Q. SIDE LIGHTS (IF EQUIPPED)

Some models may be equipped with side lights, to the left and right of the headlight. The side lights are ON whenever the ignition key is rotated out of the STOP position and OFF when the ignition key is moved to the STOP position.

SEAT ADJUSTMENT LEVER (NOT SHOWN/ IF EQUIPPED)

The seat adjustment lever is located under the seat. The seat adjustment lever allows for adjustment forward or backward of the operator's seat. Refer to the Set-Up section for instructions on adjusting the seat position.

NOTE: If your tractor is not equipped with a seat adjustment lever, it can be adjusted using the knobs on the underside of the seat. Refer to the Set-Up section for instruction on adjusting the seat.

OPERATION

Before Operating Your Tractor

- Before operation, refer to the Maintenance Schedule chart located in this manual for regularly scheduled service items.
- This engine is certified to operate only on clean, fresh, unleaded gasoline. Fill only with clean, fresh, unleaded gasoline with a pump sticker octane rating of 87 or higher.
- Do not use gasoline left over from the previous season, to minimize gum deposits in the fuel system.
- Gasohol (up to 10% ethyl alcohol, 90% unleaded gasoline by volume) is an approved fuel. Other gasoline/alcohol blends are not approved.
- Methyl Tertiary Butyl Ether (MTBE) and unleaded gasoline blends (up to a maximum of 15% MTBE by volume) are approved fuels. Other gasoline/ether blends are not approved.

Safety Interlock System

WARNING

Do not operate the tractor if the safety interlock system is malfunctioning. This system was designed for your safety and protection.

This tractor is equipped with a safety interlock system for the protection of the operator. If the interlock system should ever malfunction, do not operate the tractor. Contact an authorized service dealer.

- The safety interlock system prevents the engine from cranking or starting unless the parking brake is engaged and the PTO switch is in the DISENGAGED (OFF) position.
- The engine will automatically shut OFF if the operator leaves the seat before engaging the parking brake.
- The engine will automatically shut OFF if the operator leaves the tractor's seat with the PTO switch in the ENGAGED (ON) position, regardless of whether the parking brake is engaged.

Checking the Safety Interlock Circuits

Periodically check the safety interlock circuits to ensure they are working properly. If a safety circuit is not working as designed, contact an authorized service dealer to have the tractor inspected. Do NOT operate the tractor if any safety circuit is not functioning properly. To check the safety circuits, proceed as follows:

1. Pull the PTO upward to the ENGAGED (ON) position. Momentarily turn the ignition switch to the START position; the engine should not crank.
2. With the tractor running move both lapbar drive control levers fully inward in the neutral position; then lift upward from the operator's seat. The engine should stop.

OPERATION

3. With both lapbar drive control levers fully outward in the parking brake engaged position, engage the PTO. Lift upward from the operator's seat; the engine should stop.

Starting the Engine

⚠ CAUTION

The operator should be sitting in the tractor seat when starting the engine.

NOTE: Refer to L. Throttle/Choke Control Lever, Throttle Control or Electronic Governor Control on page 17 to identify your tractor controls.

1. Operator should be sitting in the tractor seat with the lapbar drive control levers fully out and in the park brake position (Fig. 19). Refer to Practice Operation (initial use) for further instructions.

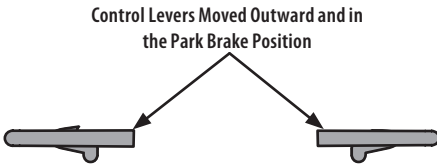


Fig. 19

2. Make certain the PTO is in the "OFF" position. If equipped, move the choke control or throttle/choke control into the full choke position. Move the throttle control to midway between its slow and fast positions on models with a separate choke control.

NOTE: If the engine is warmed up, it may not be necessary to choke the engine.

3. Always begin with key in the OFF position, turn key clockwise to the RUN position, pause for 2 seconds, then continue turning key to START position. After the engine starts, release the key. It will return to the RUN position.

⚠ CAUTION

Do not hold the key in the START position for longer than ten seconds at a time. Doing so may cause damage to your engine's electric starter.

4. As the engine warms up, gradually pull the throttle/choke control lever rearward past the choke detent position or slowly disengage the choke on models with a separate choke. Do not use the choke position to enrich the fuel mixture, except as necessary to start the engine.
5. Allow the engine to run for a few minutes at mid-throttle before putting the engine under load.
6. Observe the hour meter and LCD service minder (if equipped). If the battery indicator light or oil pressure light come on, immediately stop the engine. Have the tractor inspected by your authorized service dealer.

Cold Weather Starting

When starting the engine at temperatures near or below freezing, ensure the correct viscosity motor oil is used in the engine and the battery is fully charged. Start the engine as follows:

1. Be sure the battery is in good condition. A warm battery has much more starting capacity than a cold battery.
2. Use fresh winter grade fuel. Winter grade gasoline has higher volatility to improve starting. Do not use gasoline left over from summer.
3. Follow the previous instruction for Starting the Engine.

Using Jumper Cables to Start Engine

⚠ WARNING

Batteries contain sulfuric acid and produce explosive gases. Make certain the area is well ventilated, wear gloves and eye protection, and avoid sparks or flames near the battery.

If the battery charge is not sufficient to crank the engine, recharge the battery. If a battery charger is unavailable and the tractor must be started, the aid of a booster battery will be necessary. Connect the booster battery as follows:

1. Connect the end of one cable to the disabled tractor battery's positive terminal; then connect the other end of that cable to the booster battery's positive terminal.
2. Connect one end of the other cable to the booster battery's negative terminal; then connect the other end of that cable to the frame of the disabled tractor, as far from the battery as possible.
3. Start the disabled tractor following the normal starting instructions previously provided; then disconnect the jumper cables in the exact reverse order of their connection.
4. Have the tractor's electrical system checked and repaired as soon as possible to eliminate the need for jump starting.

Stopping the Engine

1. Disengage the PTO.
2. Move lapbar drive control levers fully outward into the park brake engaged position.
3. Move the throttle control (if equipped) to midway between the slow and fast positions.
4. Turn the key to the STOP position and remove the key from the ignition module.

NOTE: Always remove the key from the ignition module to prevent accidental starting or battery discharge if the equipment is left unattended.

Practice Operation (initial use)

Operating a zero-turn tractor is not like operating a conventional type riding tractor. Although and because a zero-turn tractor is more maneuverable, getting used to operating the lapbar drive control levers takes some practice.

OPERATION

It is strongly recommended that you locate a reasonably large, level and open "practice area" where there are no obstructions, pedestrians or animals. You should practice operating the tractor for a minimum of 30 minutes.

Carefully move (or have moved) the tractor to the practice area. When performing the practice session, the PTO should not be engaged. While practicing, operate the tractor at approximately 1/2-3/4 throttle and at less than full speed in both forward and reverse.

Carefully practice maneuvering the tractor using the instructions in the following section Driving the Tractor. Practice until you are confident that you can safely operate the tractor.

DRIVING THE TRACTOR

⚠ WARNING

Keep all movement of the lapbar drive control levers slow and smooth. Abrupt movement of the control levers can affect the stability of the tractor and could cause the tractor to flip over, which may result in serious injury or death to the operator.

1. Adjust the operator's seat to the most comfortable position that allows you to operate the controls. See Adjusting the Seat in the Set-Up section.
2. Move the RH and LH lapbar drive control levers inward in the neutral position which also disengages the parking brake (Fig. 20).

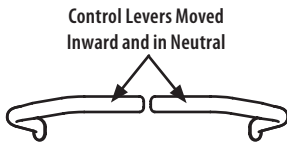


Fig. 20

NOTE: Lapbar drive control levers must be moved fully inward before pushing forward or backward to ensure brakes are fully disengaged. Parking the tractor on uneven terrain or a hill may cause the brakes to bind and not release fully. In this case the tractor will not drive when the lapbar drive control levers are moved. If this happens, move the lapbar drive control lever in the opposite direction slightly to take the load off the brakes and allow them to release fully.

NOTE: If the lapbar drive control levers are not even in the neutral position, refer to Set-Up, page 10 for instructions to adjust the lapbar drive control levers so that they are even.

3. Move the throttle (if equipped) to the full throttle position.

⚠ WARNING

Always maintain a firm grip on the control levers. Do not release the control levers to slow or stop the tractor; move levers to neutral position using your hands.

4. To drive the tractor, firmly grasp the respective lapbar drive control levers with your right and left hands and continue with Driving the Tractor Forward in the next section.

Driving the Tractor Forward

1. Slowly and evenly move both lapbar drive control levers forward. The tractor will start to move forward (Fig. 21).

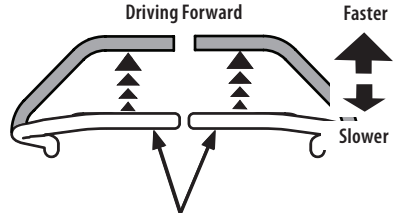


Fig. 21

2. As the lapbar drive control levers are pushed farther forward the speed of the tractor will increase.
3. To slow the tractor move the drive control levers rearward to attain the desired speed or move the lapbar drive control levers to the neutral position to stop the tractor.

Turning the Tractor While Driving Forward

⚠ WARNING

Sharp turns can affect control of the tractor. ALWAYS slow the tractor before making sharp turns.

To turn the tractor while driving forward, move the lapbar drive control levers as necessary so that one drive control lever is rearward of the other. The tractor will turn in the direction of the rearward drive control lever.

1. To turn to the left, move the left drive control lever rearward of the right drive control lever (Fig. 22).

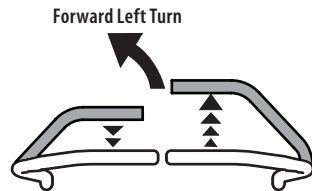


Fig. 22

2. To turn to the right, move the right drive control lever rearward of the left lever (Fig. 23).

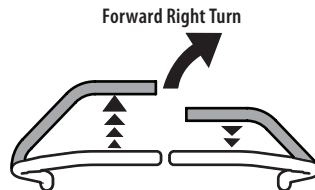


Fig. 23

OPERATION

3. The greater the distance between the two levers, the sharper the tractor will turn.
4. To execute a "pivot turn", move the turn side drive control lever to the neutral position, while moving the other control lever forward.

NOTE: Making a "pivot turn" on grass will greatly increase the potential for defacement of the turf.

Driving the Tractor in Reverse

⚠ WARNING

Always look behind and down on both sides of the tractor before backing up. Always look behind while traveling in the reverse direction. Mowing in reverse is not recommended.

1. Slowly and evenly move both lapbar drive control levers rearward. The tractor will start to move in the reverse direction (Fig. 24).

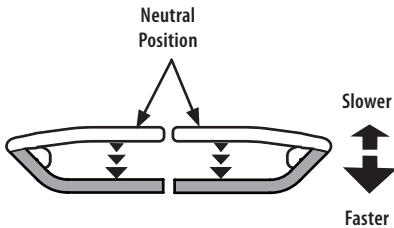


Fig. 24

2. As the lapbar drive control levers are pushed farther rearward the speed of the tractor will increase.
3. To slow the tractor move the lapbar drive control levers forward to attain the desired speed or move the lapbar drive control levers to the neutral position to stop the tractor.

Turning While Driving Rearward

To turn the tractor while driving rearward, move the lapbar drive control levers as necessary so that one drive control lever is forward of the other. The tractor will turn in the direction of the forward lapbar drive control lever.

1. To turn to the left while traveling in reverse, move the left drive control lever forward of the right drive control lever (Fig. 25).

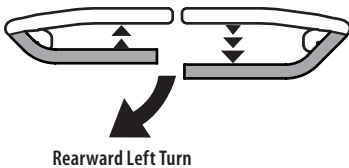


Fig. 25

2. To turn to the right while traveling in reverse, move the right drive control lever forward of the left drive control lever (Fig. 26).

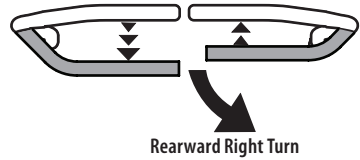


Fig. 26

NOTE: The greater the distance between the two lapbar drive control levers, the sharper the tractor will turn.

3. To execute a "pivot turn", move the turn side drive control lever to the neutral position, while moving the other drive control lever rearward.

NOTE: Making a "pivot turn" on grass will greatly increase the potential for defacement of the turf.

Executing a Zero Turn

1. Stop the forward or reverse motion of the tractor by moving the two lapbar drive control levers to neutral.
2. To turn clockwise, move the left lapbar drive control lever forward while simultaneously moving the right lapbar drive control lever rearward (Fig. 27).

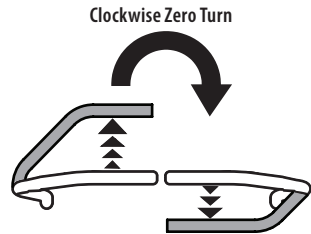


Fig. 27

3. To turn counter-clockwise, move the right lapbar drive control lever forward while simultaneously moving the left lapbar drive control lever rearward (Fig. 28).

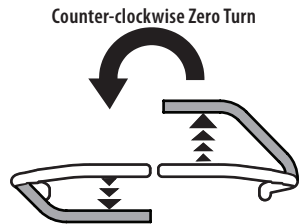


Fig. 28

Stopping the Tractor

1. Move both lapbar drive control levers to the neutral position to stop the motion of the tractor.

OPERATION


2. Push the PTO downward to the OFF position.
3. Use the deck lift knob, handle or pin to raise the deck to its highest position.
4. If dismantling the tractor, move the lapbar drive control levers fully outward in the neutral position, which also engages the parking brake, move the throttle control (if equipped) to midway between the slow and fast positions, turn the key to the STOP position and remove the key from the ignition module.

WARNING

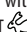
Do not leave the seat of the tractor without disengaging the PTO and moving lapbar drive control levers fully outward into the park brake engaged position. If leaving the tractor unattended, turn the ignition key to the STOP position and remove key.

ENGAGING THE PTO

Engaging the PTO transfers power to the cutting deck or other (separately available) attachments. To engage the PTO:

1. Move the throttle (if equipped) to the FAST  position or turn the electronic governor control knob (if equipped) to the CUT or POWER CUT position.

2. Pull the PTO switch up/out into the ENGAGED (ON) position.

NOTE: When operating a tractor with a throttle, be certain the throttle is always in the FAST  position. Operating with the throttle at less than full throttle may lead to premature battery wear and a poor quality cut.

3. To disengage the PTO, push the PTO switch down/in to the DISENGAGED (OFF) position.

MOWING

WARNING

To help avoid blade contact or a thrown object injury, keep bystanders, helpers, children, and pets at least 75 feet (23 meters) from the machine while it is in operation. Stop machine if anyone enters the area.

WARNING

Make certain the area to be mowed is free of debris, sticks, stones, wire, or other objects that can be thrown by the rotating blades.

NOTE: Do not engage the mower deck when lowered in grass. Premature wear and possible failure of the 'V' belt and PTO clutch will result. Fully raise the deck or move to a non-grassy area before engaging the mower deck.

- Mow across slopes, not up and down. If mowing a slope, start at bottom and work upward to ensure turns are made uphill.
- Do not mow at high ground speed, especially if a mulch kit or grass collector is installed.

- Do not cut the grass too short. Short grass is prone to weed growth and yellows quickly in dry weather.
- Always operate the tractor with the throttle (if equipped) in the FAST position or electronic governor control knob (if equipped) in the CUT or POWER CUT position while mowing.
- On the first pass pick a point on the opposite side of the area to be mowed. Follow the point to maintain a straight line.
- Engage the PTO and move the throttle control or throttle/choke control to the FAST position or the electronic governor control knob to the CUT or POWER CUT position.
- Lower the mower deck to the desired height setting.
- For best results it is recommended that the first two laps be cut with the discharge thrown towards the center. After the first two laps, reverse the direction to throw the discharge to the outside for the balance of cutting. This will give a better appearance to the lawn.
- Slowly and evenly push the RH and LH lapbar drive control levers forward to move the tractor forward and keep the tractor headed directly toward the alignment point.

NOTE: The speed of the tractor will affect the quality of the mower cut. Mowing at full speed will adversely affect the cut quality. Control the ground speed with the lapbar drive control levers.

- Your tractor is designed to cut normal residential grass of a height no more than 10 inches (25 cm). Do not attempt to mow through unusually tall, dry grass (e.g., pasture) or piles of dry leaves. Dry grass or leaves may contact the engine exhaust and/or build up on the tractor.
- Do not attempt to mow heavy brush and weeds or extremely tall grass. Your tractor is designed to mow lawns, NOT clear brush.
- Keep the blades sharp and replace the blades when worn.
- When approaching the other end of the strip, slow down or stop before turning. A U-turn is recommended unless a pivot or zero turn is required.
- Align the mower with an edge of the mowed strip and overlap approximately 3 inches (7.6 cm).
- Direct the tractor on each subsequent strip to align with a previously cut strip.
- To prevent rutting or grooving of the turf, if possible, change the direction that the strips are mowed by approximately 45° for the next and each subsequent mowing.

When stopping the tractor for any reason while on a grass surface, always:

- Move the RH and LH lapbar drive control levers fully outward into the park brake engaged position.
- Shut engine off and remove the key.
- Doing so will minimize the possibility of having your lawn "brownied" by hot exhaust from your tractor's running engine.

PRODUCT CARE

MAINTENANCE SCHEDULE

WARNING

Before performing any type of maintenance/service, disengage all controls and stop the engine. Wait until all moving parts have come to a complete stop. Disconnect the spark plug wire(s) and negative battery cable to prevent unintended starting. Always wear safety glasses during operation or while performing any adjustments or repairs.

Follow the Maintenance Schedule given below. This chart describes service guidelines only.

Refer to the Engine Operator's Manual for engine maintenance items listed in the table below.

NOTE: Maintenance Schedule continues onto the next page.

NOTE: Please contact a local authorized service dealer to purchase an aftermarket hour meter, if desired.

	Before Each Use	After First 5 Hours	Every 10 Hours	Every 25 Hours	Every 50 Hours	Every 100 Hours	Every 200 Hours	Prior to Storing	See Engine Manual
Check/Clean Engine Intake Screens & Cooling Fans #	✓							✓	
Check/Clean Exhaust Manifold, Muffler Pipe, & Muffler Shields #	✓							✓	
Check/Clean Top and Underside of Deck, Under & Around Spindle Covers, Belt Area #	✓							✓	
Check/Clean Around Fuses, Wiring & Wiring Harnesses #	✓							✓	
Check/Clean Around Transmission, Axle & Fans #	✓							✓	
Check/Add/Change Transmission Fluid as needed							✓		
Check Air Filter for Dirty, Loose or Damaged Parts	✓								
Check Engine Oil Level	✓								
Clean Battery Terminals			✓					✓	
Grease All Lubrication Points			✓					✓	
Check Engine Intake Screen/Clean As Needed			✓					✓	
Check Blades/Sharpen or Replace As Needed			✓					✓	
Check Tire Pressure			✓					✓	
Check/Clean Underside of Deck	✓		✓						
Check Safety Interlock System			✓					✓	
Check Mower Blade Stop Time			✓					✓	
Inspect & Lube Deck Wheels				✓				✓	
Inspect & Lube Steering Joint				✓					
Check Deck Level/Pitch				✓				✓	
Check Belts & Pulleys for Damage/Wear					✓				
Check That All Hardware Is In Place & Secure						✓			

PRODUCT CARE

	Before Each Use	After First 5 Hours	Every 10 Hours	Every 25 Hours	Every 50 Hours	Every 100 Hours	Every 200 Hours	Prior to Storing	See Engine Manual
Check Engine Mounting Bolt Torque (Tighten to 325-450 in-lbs (37-50 N-m))		✓			✓			✓	✓
Check Blade Mount Nut Torque (Tighten to 70-90 ft-lbs (95-122 N-m))		✓			✓			✓	
Check Spark Plug Condition & Gap						✓		✓	✓
Engine Break-In Oil Change		✓							✓
Change Engine Oil					✓			✓	✓
Check Fuel System (Lines, Tank, Cap, Fittings)		✓			✓			✓	✓
Check Spark Plug (547 cc only)				✓					
Replace Spark Plug (547 cc only)						✓			
Check Spark Arrestor		✓			✓			✓	✓
Replace Oil Filter					✓			✓	✓
Clean or Change Air Filter					✓				✓
Change Air Filter (547 cc only) # **						✓			
Replace Fuel Filter					✓				✓
Replace Fuel Filter (547 cc only)						✓			
Have Valve Lash Checked & Adjusted*									✓

* -- Have this item performed by an authorized service dealer.

-- Perform more often in dry conditions and/or when mulching.

** -- Perform more often if operating under heavy load or high ambient temperature.

NOTE: This Operator's Manual covers several models. Tractor features may vary by model. Not all features in this manual are applicable to all tractor models and the tractor depicted may differ from yours.

POST-OPERATION TRACTOR CARE

After each operation of the tractor, to ensure safe operating conditions, refer to the Maintenance Schedule chart in this manual for proper tractor care.

⚠ WARNING

Failure to follow these recommendations may result in serious injury to yourself or others and may cause damage to the tractor.

CLEANING THE UNDERSIDE OF THE DECK

Deck Wash System (if equipped)

Your tractor's deck may be equipped with a water port on its surface as part of its deck wash system.

Use the deck wash system to rinse grass clippings from the deck's underside and prevent the buildup of corrosive chemicals. Complete the following steps AFTER EACH MOWING:

1. Attach the nozzle adapter to a standard garden hose connected to a water supply.
2. Move the tractor to an area within reach of the hose where the dispersal of wet grass clippings is acceptable. Disengage the PTO, engage the parking brake and stop the engine.
3. Pull back the lock collar (a) of the nozzle adapter (b) and push the nozzle adapter onto the deck wash nozzle (c). Release the lock collar to lock the nozzle adapter on the deck wash nozzle (Fig. 29 on page 25).

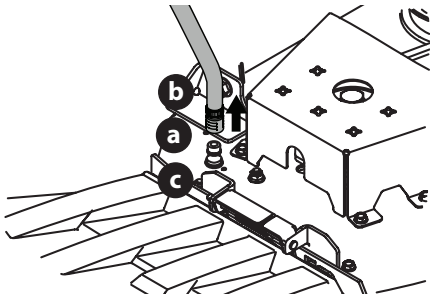


Fig. 29

4. Turn on the water supply.
5. From the tractor operator's seat, start the engine and engage the PTO. Allow to run as needed. Disengage the PTO and stop the engine.
6. Turn off the water supply.
7. Pull back the lock collar of the nozzle adapter to disconnect the nozzle adapter from the deck wash nozzle.

CLEANING THE TRACTOR

WARNING

If the tractor has been recently run, the engine, muffler, and surrounding metal surfaces will be very hot and can cause burns to the skin. Let the engine cool for at least five minutes. Exercise caution to avoid burns.

Your tractor must be cleaned after each use and under certain conditions, i.e. dry conditions and/or mulching situations, additional cleaning may be necessary.

One of the best ways to keep your tractor running efficiently and to reduce fire risk is to regularly remove debris buildup from the tractor. Follow the recommendations below and contact your authorized dealer with any questions.

- Allow the machine to cool for at least five minutes in an open area before cleaning.

NOTE: Using a pressure washer or garden hose is not recommended for cleaning your tractor other than to clean the underside of the deck. It may cause damage to electrical components, spindles, pulleys, bearings or the engine. The use of water will result in shortened life and reduce serviceability.

- Keep both sides of transmission cooling slots, exhaust manifold, around fuses, all wiring and harnesses, muffler pipe, muffler shield, engine intake screens and cooling fins, etc. clear of grass clippings and leaves (Fig. 30).

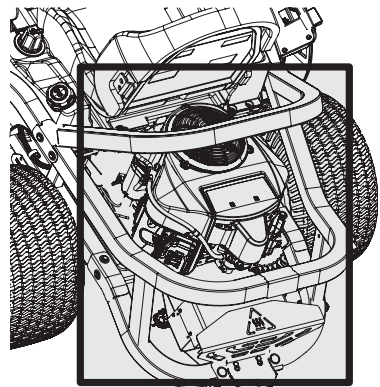


Fig. 30

- Clean the top of the mower deck, under the spindle covers and belt area (Fig. 31).

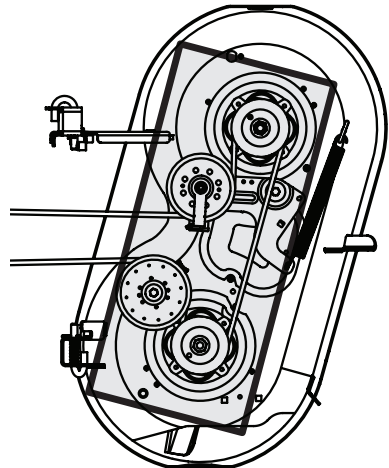
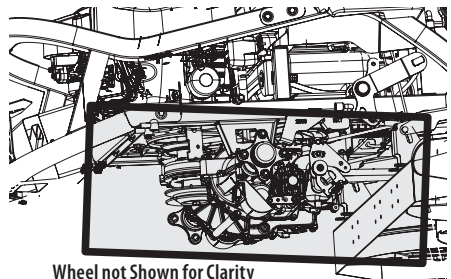


Fig. 31

- Clean around and near the transmission, axle and the fan area (Fig. 32).



Wheel not Shown for Clarity

Fig. 32

- Debris can accumulate anywhere on the tractor, especially on horizontal surfaces. Additional cleaning may be necessary when mowing in dry conditions or when mulching.
- Fuel leaks/spills, oil leaks/spills and excess lubrication can also become collection sites for debris. Immediate repair and cleaning up oil or fuel spills can help reduce fire hazards.
- In addition to cleaning the tractor before operating and storing, do not attempt to mow unusually tall grass (10 inches (25.4 cm) or higher), dry grass (e.g., pasture) or piles of dry leaves. Dry grass or leaves may contact the engine exhaust and/or build up on the mower deck presenting a potential fire hazard.

STORING THE TRACTOR

- Allow the machine to cool in an open area for at least five minutes before storing.
- Do not park the tractor near any flammable materials (wood, cloth or chemicals) or any open flames or other potential source of ignition (furnace, water heater or any other type of heater).
- Remove all combustible materials from the tractor before storing. Empty cargo boxes, grass catchers or containers.
- Always shut off fuel flow when storing or transporting if tractor is equipped with a fuel shutoff.
- Check the fuel system (lines, tank, cap and fittings) per the Maintenance Schedule for cracks or leaks. Repair and clean as necessary.

MAINTENANCE

Removing the Floor Panel (if equipped)

⚠ WARNING

Do not operate tractor with floor panel removed.

On some models, the floor panel can be removed for maintenance, service and cleaning. To remove the floor panel:

1. Using the multi-tool (if equipped) or a 1/2 inch socket, remove the hex screw that secures the floor panel in place (1 in Fig. 33).

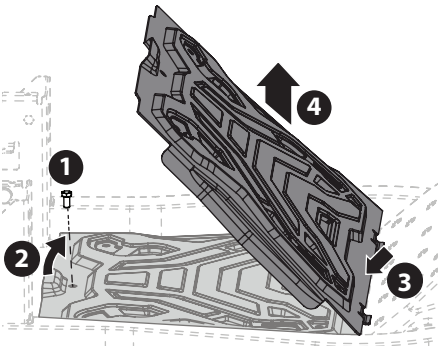


Fig. 33

2. Carefully lift the rear of the floor panel (2 in Fig. 33).
3. Slide the floor panel rearward to free the front of the floor panel (3 in Fig. 33).
4. Lift it off the tractor (4 in Fig. 33).
5. To place the floor panel back on the tractor, carefully put the floor panel back in place and re-install the hex screw removed in Step 1. Torque to 108-132 in-lbs (12-15 N-m).

Engine

⚠ WARNING

Allow machine to cool in an open area for at least five minutes before storing or refueling.

Refer to the Engine Operator's Manual for all engine maintenance procedures and instructions.

NOTE: Maintenance, repair or replacement of the emission control devices and systems which are being done at owner's expense may be performed by any engine repair establishment or individual. Warranty repairs must be performed by an authorized dealer.

Changing the Engine Oil

SINGLE CYLINDER ENGINES (IF EQUIPPED)

⚠ WARNING

If the tractor has been recently run, the engine, muffler, and surrounding metal surfaces will be very hot and can cause burns to the skin. Let the engine cool for at least five minutes. Exercise caution to avoid burns.

NOTE: The oil filter should be changed at every oil change interval.

To complete an oil change, proceed as follows:

1. Run the engine for a short time to warm the engine oil. The oil will flow more freely and carry away more impurities. Use care to avoid burns from hot oil.
2. Locate the oil drain port on the side of the engine.
3. Place an appropriate oil collection container with at least a 2.5 quart (2.36 L) capacity below the opening of the oil drain tube, to collect the used oil. Remove the oil fill cap/dipstick from the oil fill tube.
4. Open the protective cap on the end of the oil drain valve to expose the drain port (Fig. 34 on page 27).

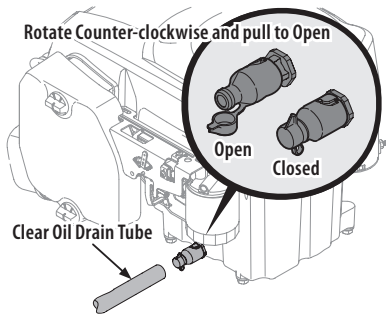


Fig. 34

5. Push the oil drain tube (packed with this manual) onto the oil drain port. Route the opposite end of the tube into an appropriate oil collection container with at least a 2.5 quart (2.36 L) capacity to collect the used oil.
6. The engine is equipped with a twist-and-pull drain port. Turn the oil drain valve 1/4-turn counter-clockwise, then pull outward to begin draining oil. After the oil has finished draining, push the end of the oil drain valve back in and turn 1/4-turn clockwise to close the oil drain. Re-cap the end of the oil drain valve to keep debris from entering the drain port (Fig. 34).
7. Replace the oil filter, and refill the engine with new oil as instructed in the Engine Operator's Manual.
8. Reinstall the oil fill cap/dipstick.

NOTE: Place an absorbent towel beneath the oil filter to keep oil off the engine pulley.

NOTE: Observe proper disposal laws and regulations for gas, oil, etc. to protect the environment.

NOTE: Maintenance, repair or replacement of the emission control devices and systems which are being done at the owner's expense may be performed by any engine repair establishment or individual. Warranty repairs must be performed by an authorized dealer.

TWIN CYLINDER ENGINES (IF EQUIPPED)

⚠ WARNING

If the tractor has been recently run, the engine, muffler, and surrounding metal surfaces will be very hot and can cause burns to the skin. Let the engine cool for at least five minutes. Exercise caution to avoid burns.

NOTE: The oil filter should be changed at every oil change interval.

To complete an oil change, proceed as follows:

1. Locate the oil drain hose (a) on the side of the engine (Fig. 35).

2. Place an appropriate oil collection container with at least a 2.5 quart (2.37 liter) capacity below the opening of the oil drain hose, to collect the used oil. Remove the oil fill cap/dipstick (b) from the oil fill tube (Fig. 35).
3. While holding the free end of the oil drain hose over the oil collection container, unscrew the square head hose plug (c) from the end of the oil drain hose (Fig. 35). Drain the engine oil into the collection container.

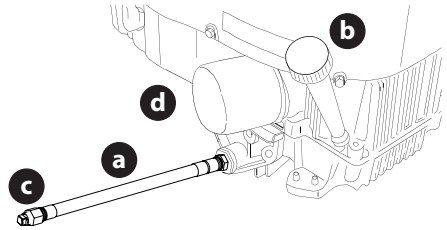


Fig. 35

4. After draining the oil, wipe any residual oil from the oil drain hose. Thread the square head hose plug into the oil drain hose fitting and tighten the square head hose plug to 16 ft-lbs (22 N-m).
5. Remove the oil filter (d) and drain into the collection container (Fig. 35).
6. Replace the oil filter (d) and refill the engine with new oil as instructed in the Engine Operator's Manual (Fig. 35).

NOTE: Place an absorbent towel beneath the oil filter to keep oil off the clutch.

NOTE: Observe proper disposal laws and regulations for gas, oil, etc. to protect the environment.

NOTE: Maintenance, repair or replacement of the emission control devices and systems which are being done at owner's expense may be performed by any engine repair establishment or individual. Warranty repairs must be performed by an authorized dealer.

Lubrication

⚠ WARNING

Before lubricating, repairing, or inspecting, always disengage PTO, set parking brake, stop engine, and remove key to prevent unintended starting.

- Using a quality lubricating oil, lubricate all lubrication points. Refer to the Maintenance Schedule chart located in this manual for proper service intervals.

Spark Arrestor Maintenance (if equipped)

Spark arrestor assemblies must be inspected and cleaned periodically (see the Maintenance Schedule chart in this manual). Visually inspect the screen for tears, broken wires or loose welds. Replace the spark arrestor assembly if any of these conditions exist. If the screen is in good condition, clean the screen by brushing away loose dirt or carbon particles.

Tires

Keep the tires inflated to the recommended pressures. Improper inflation will shorten the tire service life. See the tire side wall for proper inflation pressures. Refer to the Maintenance Schedule chart located in this manual for proper service intervals.

Observe the following guidelines:

- Do not inflate a tire above the maximum pressure shown on the sidewall of the tire.
- Do not reinflate a tire that has been run flat or seriously under-inflated. Have it inspected and serviced by a qualified tire mechanic.

Hydrostatic Transmission

Your zero-turn tractor is equipped with two hydrostatic pumps/transaxles. Under normal operating conditions, the oil level in the expansion reservoirs does not need to be checked and no additional oil is needed.

CHANGING THE TRANSMISSION OIL AND FILTER (TUFF TORQ® TRANSMISSION)

Please see your authorized service dealer for transmission oil and filter changes.

OFF-SEASON STORAGE

If your tractor is not going to be operated for an extended period of time (30 days or more), the tractor should be prepared for storage. Store the tractor in a dry and protected location. If stored outside, cover the tractor (including the tires) to protect it from the elements. The procedures outlined below should be performed whenever the tractor is placed in storage.

1. Change the engine oil and filter following the instructions provided in this manual as well as the Engine Operator's Manual provided with this tractor.

WARNING

Never store the tractor with fuel in the tank indoors or in poorly ventilated enclosures, where fuel fumes may reach an open flame, spark, or pilot light as on a furnace, water heater, clothes dryer, etc.

2. If storing the tractor for 30 days or more:
 - a. To prevent gum deposits from forming inside the engine's carburetor and causing possible malfunction of the engine, the fuel system must be either completely emptied or the gasoline must be treated with a stabilizer to prevent deterioration.
 - b. Using a fuel stabilizer for storage between 30 and 90 days:
 - Read the product manufacturer's instructions and recommendations.
 - Add to clean, fresh gasoline the correct amount of stabilizer for the capacity (approximately 3 gallons) of the fuel system.

- Fill the fuel tank with treated fuel and run the engine for 2-3 minutes to get stabilized fuel into the carburetor.
 - Fuel left in the fuel tank deteriorates and will cause serious starting problems.
- c. Emptying the fuel system for storage of more than 90 days:
 - Prior to putting the tractor in storage, monitor fuel consumption with the goal of running the fuel tank empty.
 - Run the engine until it begins to stall. Use the choke to keep the engine running until all fuel in the carburetor has been exhausted.
 - Referring to the Engine Operator's Manual, drain the fuel from the carburetor bowl.
 3. Clean the engine and the entire tractor thoroughly.

NOTE: Using a pressure washer or garden hose is not recommended for cleaning your tractor other than to clean the underside of the deck. It may cause damage to electrical components, spindles, pulleys, bearings or the engine. The use of water will result in shortened life and reduce serviceability.

4. Fully charge the battery, then disconnect the negative cable at the battery to prevent possible discharge. Recharge the battery periodically when in storage.

NOTE: Remove the battery if exposed to prolonged periods of sub-freezing temperatures. Store in a cool, dry location where temperatures are above freezing.
5. Lubricate all lubrication points.

REMOVING THE TRACTOR FROM STORAGE

1. Check the engine oil.
2. Fully charge the battery and inflate the tires to the recommended pressure. See tire side wall for proper tire inflation pressure.
3. Fill the fuel tank with clean, fresh gasoline.
4. Start the engine and allow to idle for a few minutes to ensure engine is operating properly.
5. Drive the tractor without a load to make certain all the tractor systems are functioning properly.

ADJUSTMENTS

Adjusting Deck Lift Pedal

1. Set the deck to the transport position.
2. Remove the hex bolt, washer and hex nut near the center of the pedal assembly (Fig. 36 on page 29).

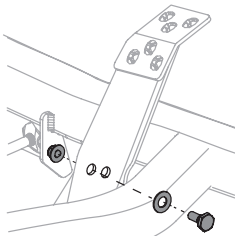


Fig. 36

3. Position the pedal to the optimal position based on operator preference (Fig. 37).

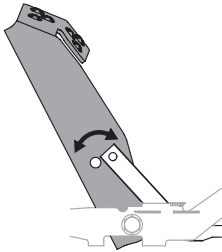


Fig. 37

4. Re-install the hardware previously removed and torque the nut to 28-35 ft-lbs (38-47 N-m) (Fig. 36).

Deck Leveling

If the cutting deck appears to be mowing unevenly, leveling adjustments can be performed.

⚠ WARNING

If the tractor has been recently run, the engine, muffler, and surrounding metal surfaces will be very hot and can cause burns to the skin. Let the engine cool for at least five minutes. Exercise caution to avoid burns.

⚠ WARNING

Tractor blades are sharp. Wrap the blade or wear gloves, and use extra caution when servicing them.

LEVELING THE DECK (SIDE-TO-SIDE)

1. Place the deck lift handle, knob or pin in a middle mowing position and rotate both outside blades so that they are perpendicular with the tractor.
2. Measure the distance from the outside of the left blade tip to the ground and the distance from the outside of the right blade tip to the ground. Both measurements taken should be equal. If they are not, proceed to the next step.
3. Locate the adjustment bolts (a) on the left and right side of the deck (Fig. 38).

4. Loosen, but do not remove, the jam nuts (b) on the adjustment bolt. Adjust either the right or left adjustment bolt up or down as necessary until the side-to-side heights are equal (Fig. 38).

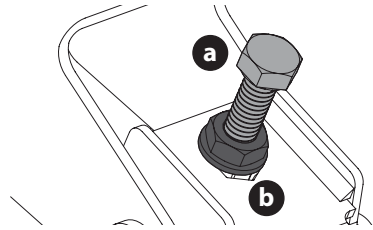


Fig. 38

NOTE: Continue to check the front-to-back leveling as you make the side-to-side adjustment as the side-to-side adjustment can affect the front-to-back level. If necessary, adjust front-to-back as instructed in the next section.

5. When proper adjustment is achieved, re-tighten the jam nuts (b). Tighten to 200 in-lbs (23 N-m) (Fig. 38).

LEVELING THE DECK (PITCH/FRONT-TO-REAR)

The front of the deck should be between 1/16-1/4 inch (2-6 mm) lower than the rear of the deck. Adjust if necessary as follows:

1. Park the tractor on a firm, level surface and place the deck lift handle, knob or pin in a middle position.
2. Rotate the blade nearest the discharge chute so that it is parallel with the tractor.
3. Measure the distance from the front of the blade tip to the ground and the rear of the blade tip to the ground. The first measurement taken should be between 1/16-1/4 inch (2-6 mm) less than the second measurement.
4. Determine the approximate distance necessary for proper adjustment and proceed, if necessary.
5. To **raise** the front of the deck, remove the end cap, loosen the outer jam nut (a) then tighten (thread inward) the inner nut (b) against the front hanger bracket (Fig. 39). When proper adjustment is achieved, re-tighten the outer jam nut (a) to 57 ft-lbs (77 N-m) and replace the end cap.

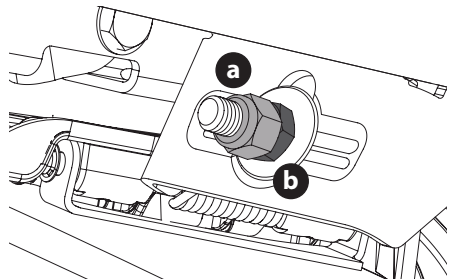


Fig. 39

- To **lower** the front of the deck, remove the end cap, loosen the outer jam nut (a) then loosen (thread outward) the inner nut (b), away from the front hanger bracket (Fig. 39 on page 29). When proper adjustment is achieved, re-tighten the outer jam nut (a) to 57 ft-lbs (77 N-m) and replace the end cap.

Adjusting the Deck Wheels

⚠ WARNING

Keep hands and feet away from the discharge opening of the cutting deck.

NOTE: The deck wheels are an anti-scalp feature of the deck and are not designed to support the weight of the cutting deck. The deck wheels should be approximately 1/4-1/2 inch (6.35-12.7 mm) above the ground when the deck is set in the desired height setting. To adjust the deck wheels, see the Set-Up section for instructions.

Lapbar Drive Control Lever Stop Adjustment

When the lapbar drive control levers are both fully extended forward to the full-speed position and the tractor drifts left or right, the lapbar drive control lever stop adjustment can be adjusted to sync the wheel speeds. To perform the adjustment, proceed as follows:

- Identify the side that the tractor is drifting to and adjust the opposite lapbar drive control lever. If the tractor drifts right, adjust the left lapbar drive control lever down (decrease speed) and vice versa.
- Locate the lapbar drive control lever stop adjustment bolts (a) on the front of the seat frame (Fig. 40).

NOTE: The multi-tool (if equipped) can be used to make this adjustment.

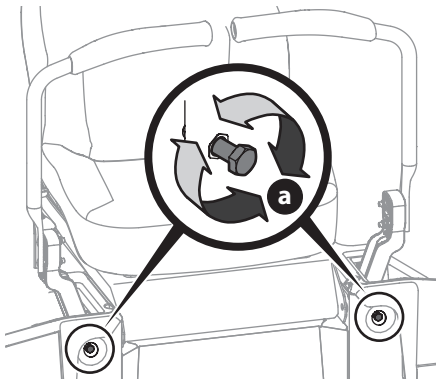


Fig. 40

- To decrease the forward speed, turn the lapbar drive control lever stop adjustment bolts (a) clockwise. To increase the forward speed, turn the lapbar drive control lever stop adjustment bolts (a) counter-clockwise. Turn the lapbar drive control lever stop adjustment bolts (a) in the necessary direction 1/4-turn at a time. After turning the lapbar drive control lever stop adjustment bolts (a), check the adjustment by driving the tractor (Fig. 40).
- Continue the adjustment until the wheel speeds are in sync and the tractor drives straight with the drive control levers fully extended forward in the full-speed position.

NOTE: Make sure the bolts extend through the nuts on the frame to engage the locking feature.

SERVICE

Electrical System

A fuse is installed to protect the tractor's electrical system from damage caused by excessive amperage. Always use the same capacity fuse for replacement. If the electrical system does not function, check for a blown fuse.

If you have a recurring problem with blown fuses, have the tractor's electrical system checked by your authorized service dealer.

Relays and Switches

There are several safety switches in the electrical system. If a function of the safety interlock system described earlier is not functioning properly, have the electrical system checked by your authorized service dealer.

Parking Brake Adjustment

If the tractor does not come to a complete stop when the control levers are moved fully outward engaging the parking brake or if the tractor's rear wheels can roll with the parking brake engaged (and the hydrostatic relief valve open), the brake is in need of adjustment or repair. See your authorized service dealer to have the brake adjusted.

Deck Removal

Remove the tractor deck from the tractor as follows:

- Move the tractor to a level surface, disengage the PTO, stop the engine and place the RH and LH drive control levers fully outward into the park brake engaged position.
- There are two methods for removing the belt, to remove the belt by releasing belt tension go on to Step 3, to remove the belt by rolling the belt off the PTO pulley skip ahead to Step 4.

⚠ WARNING

Use caution to avoid pinching your fingers when rolling the belt off of the PTO pulley.

3. Releasing belt tension with the idler pulley:
 - a. Using the deck lift handle, the deck lift pedal and knob or the deck lift pedal and pin, raise the deck to the position that provides the most horizontal run of the belt between the deck idler pulleys and the PTO pulley on the bottom of the engine (Fig. 41).
 - b. Working from the middle of the tractor, pivot the idler bracket (a) and movable idler pulley (b) rearward just far enough to lift the belt up and over the spindle pulley (Fig. 41).

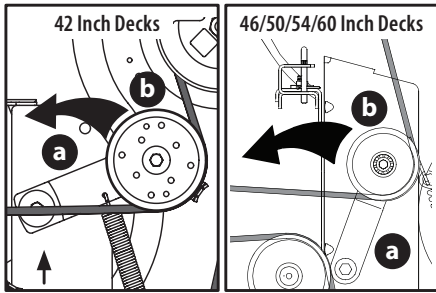


Fig. 41

- c. From beneath the rear of the tractor, slide the belt off of the PTO pulley on the bottom of the engine.
 - d. Lower the deck into the lowest mowing position.
 - e. Skip ahead to Step 5.
4. Rolling the belt off the PTO pulley:
 - a. Raise the deck to the highest position.
 - b. Sitting behind the tractor facing forward, reach beneath the tractor to grasp the belt at the front of the PTO pulley.
 - c. Pull the left side of the belt rearward and downward while manually turning the PTO pulley to the right until the belt rides out onto the edge of the lower sheave of the pulley.

NOTE: If pulling the right side of the belt, turn the pulley left.

- d. While still holding the PTO belt (a) downward, continue turning the PTO pulley (b) until the PTO belt (a) is rolled off the PTO pulley (b) (Fig. 42).

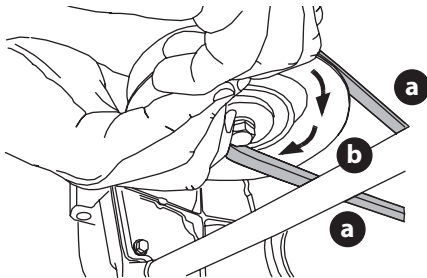


Fig. 42

- e. Lower the deck into the lowest mowing position.
 - f. Move on to Step 5.

⚠ WARNING

The deck lift on tractors with the deck lift knob or pin is spring-assisted and under tension. Injury can occur if spring-assisted deck lift is released suddenly. Always use the multi-tool to secure the deck lift in place.

5. On tractors equipped with the deck lift knob or pin, use the deck lift pedal and deck lift knob or pin to place the deck in the lowest position and use the multi-tool (a) (if equipped) to lock the deck lift components in place as shown in Fig. 43. On tractors with a deck lift handle, lower the deck into the lowest position.

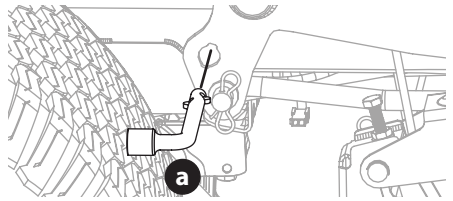


Fig. 43

- a. Remove the two bow-tie pins (a) from the clevis pins (b) that secure the lift link brackets (c) to the rear deck lift brackets (d) on the deck. Remove the clevis pins (b) (Fig. 44).

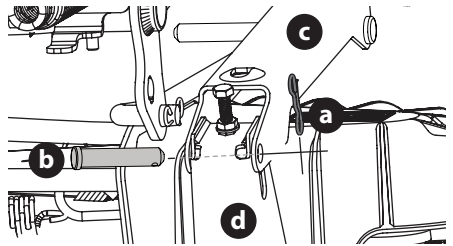


Fig. 44

- b. Remove the third bow-tie pin (a) from the clevis pin (b) that secures the front deck control rod (c) to the front deck lift bracket (d). Remove the clevis pin (b) (Fig. 45).

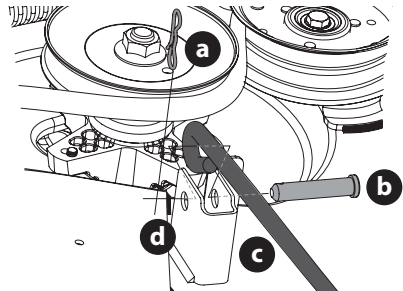


Fig. 45

- c. Carefully maneuver the deck out from beneath the tractor.

Deck Installation

Install the deck on the tractor as follows:

1. Carefully maneuver the deck under the tractor from the right side, lining up the deck hanger brackets and the deck lift arms on deck lift rod/deck release pin tractors and align the lift link brackets and front deck control rod with the deck lift brackets on three-pin tractors.

2. Once the deck is under the tractor, move the deck to the lowest mowing position.

NOTE: To line the brackets up properly, it may be necessary to place a small block of wood under each side of the deck.

3. Re-install the applicable hardware for your tractor.
4. Make certain the 'V' belt is in the spindle pulleys on the deck; then route the belt rearward beneath the tractor frame, above the transmission tube(s) (Hydro-Gear® transmission) or cross-brace (Tuff Torq® transmission), to the PTO pulley on the bottom of the engine.
5. Raise the deck to the highest position.
6. Make certain the belt is in the spindle pulleys of the deck and that the backside of the belt is against both the fixed and movable idler pulleys.
7. Sitting behind the tractor, facing forward, make certain the belt is not twisted; then reach beneath the tractor to grasp the belt and pull it toward the PTO pulley.

WARNING

Use caution to avoid pinching your fingers when rolling the belt onto the PTO pulley.

8. Pull the right side of the PTO belt rearward and place the narrow V-side of the PTO belt into the PTO pulley (Fig. 42 on page 31).
9. While holding the PTO belt and PTO pulley together, rotate the PTO pulley to the left (Fig. 42 on page 31). Continue holding and rotating the PTO pulley and PTO belt until the PTO belt is fully rolled into the PTO pulley.

NOTE: Before using the tractor double-check the belt routing to make sure that the belt has been routed properly.

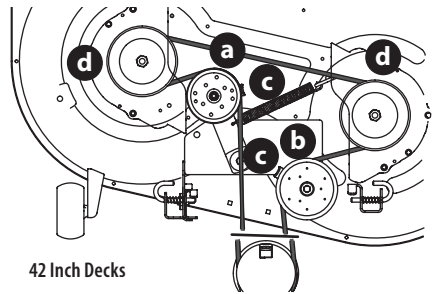
Replacing the Belt

1. Remove the deck from beneath the tractor (refer to Deck Removal).
2. Loosen, but do not remove the hardware on the right (a) and left idler pulley (b). See this page for 42 inch decks (Fig. 46), 46 inch decks (Fig. 47), 50 and 54 inch decks (Fig. 48) and 60 inch decks (Fig. 49 on page 33).

NOTE: Take note of the position of the belt guards (c) to ensure they are properly re-installed.

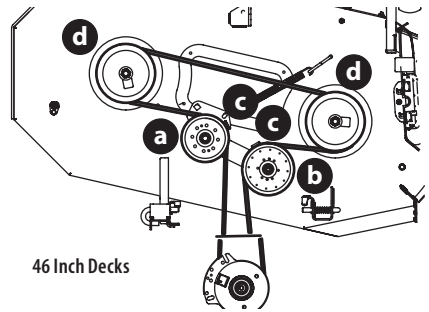
NOTE: On some decks it may be necessary to remove the spindle covers to remove and/or install the new belt. To remove the spindle covers, remove the screws securing them to the deck.

3. Carefully remove the belt from around the idler pulleys (a and b) and the spindle pulleys (d).
4. Install the new belt as shown and re-install the belt covers.
5. Place the belt around the idler pulleys removed in Step 3 with the 'V' side facing in. Once in place, re-install all the hardware and tighten the flange lock nut to secure the assembly.
6. Route the belt as shown and then re-install the deck (refer to Deck Installation).



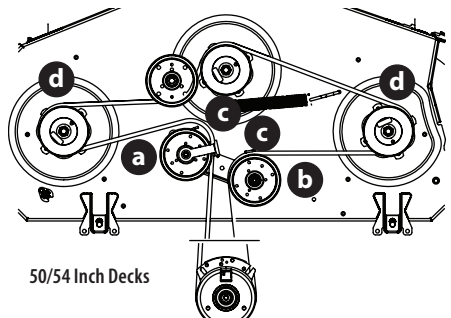
42 Inch Decks

Fig. 46



46 Inch Decks

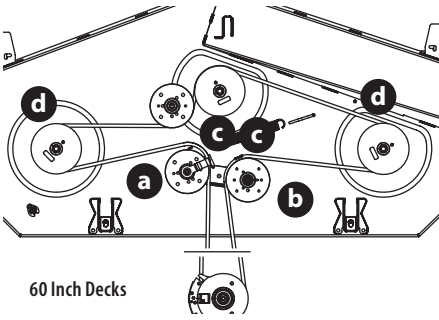
Fig. 47



50/54 Inch Decks

Fig. 48

PRODUCT CARE



60 Inch Decks

Fig. 49

TRACTOR BLADE CARE

⚠ WARNING

Before performing any maintenance, disengage the PTO and move the lapbar drive control levers fully outward into the park brake engaged position. If leaving the tractor unattended, turn the ignition key to the STOP position and remove key. Protect your hands by using heavy gloves when handling the blades. When servicing the tractor deck, be careful not to cut yourself on the sharpened blades.

The cutting blades must be kept sharp at all times. Sharpen the cutting edges of the blades evenly so that the blades remain balanced and the same angle of sharpness is maintained.

If the cutting edge of a blade has already been sharpened many times or if any metal separation is present, it is recommended that new blades be installed. New blades are available at your authorized dealer.

Star-Blade System (if equipped)

The blades may be removed as follows:

1. Remove the deck from beneath the tractor (refer to Deck Removal) then gently flip the deck over to expose its underside.
2. Place a block of wood (c) between the deck housing and the cutting edge of the blade (b) to help in breaking loose the hex nut (a) securing the blade (b). Use a 15/16 inch wrench to loosen the hex nut (a) (Fig. 50).

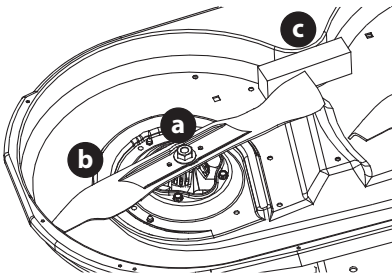


Fig. 50

3. When re-installing the blades, be sure they are installed so that the wings are pointing upward toward the top of the deck.
4. Tighten the hex nuts (a) to 70-90 ft-lbs (95-122 N-m).
5. Re-install the deck (refer to Deck Installation).

S-Blade System (if equipped)

The blades may be removed as follows:

1. Remove the deck from beneath the tractor (refer to Deck Removal) then gently flip the deck over to expose its underside.
2. Place a block of wood (c) between the deck housing and the cutting edge of the blade (b) to help in breaking loose the hex nut (a) and washer (d)* securing the blade (b). Use a 15/16 inch wrench to loosen the hex nut (a) and washer (d)* (Fig. 51).

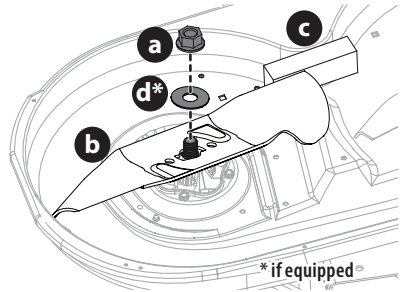


Fig. 51

3. When re-installing blades, be sure of the following (Fig. 51):
 - a. Blades (b) are installed so that wings are pointing upward toward the top of the deck.
 - b. Washer (d)* is placed between bottom of blade (b) and hex nut (a).

IMPORTANT! Align "S" shaped cutout with matching "S" shape on spindle for secure fit.

4. Tighten hex nuts (a) to 70-90 ft-lbs (95-122 N-m).
5. Re-install the deck (refer to Deck Installation).

CHANGING THE TRANSMISSION DRIVE BELT

Several components must be removed and special tools used in order to change the tractor's transmission drive belt. See your authorized service dealer to have the transmission drive belt replaced.

TRACTOR CREEPING

Creeeping is the slight forward or backward movement of the tractor when the throttle is on and the speed control levers are in the neutral position. If your tractor creeps, see an authorized service dealer.

TROUBLESHOOTING

WARNING

Before performing any type of maintenance/service, disengage all controls and stop the engine. Wait until all moving parts have come to a complete stop. Disconnect the spark plug wire(s) and negative battery cable to prevent unintended starting. Always wear safety glasses during operation or while performing any adjustments or repairs.

This section addresses minor service issues. To locate the nearest authorized service center consult the separate supplement sheet for contact information.

Problem	Cause	Remedy
Engine fails to start	<ol style="list-style-type: none"> 1. PTO/Blade Engage knob engaged. 2. Parking brake not engaged. 3. Spark plug wire disconnected. 4. Throttle control lever not in correct starting position. 5. Fuel tank empty or stale fuel. 6. Blocked fuel line or fuel filter. 7. Faulty spark plug. 8. Engine flooded. 9. Fuse(s) blown. 	<ol style="list-style-type: none"> 1. Place knob in disengaged (OFF) position. 2. Engage parking brake. 3. Connect wire to spark plug. 4. Place throttle lever to FAST position. 5. Fill tank with clean, fresh (less than 30 days old) gas. 6. Replace fuel line. See a qualified service dealer. Replace fuel filter. 7. Clean, adjust gap or replace plug. 8. Crank engine with throttle in FAST position. 9. Replace fuse.
Engine runs erratically	<ol style="list-style-type: none"> 1. Tractor running with choke activated. 2. Spark plug wire loose. 3. Blocked fuel line or stale fuel. 4. Vent in gas cap plugged. 5. Water or dirt in fuel system. 6. Dirty air cleaner. 	<ol style="list-style-type: none"> 1. Check that the choke is working. See a qualified service dealer. 2. Connect and tighten spark plug wire. 3. Replace fuel line. See a qualified service dealer. Fill tank with clean, fresh gasoline and replace fuel filter. 4. Clear vent or replace cap if damaged. 5. Drain fuel tank. Refill with clean, fresh gasoline. 6. Clean or replace air cleaner paper element or clean foam pre-cleaner.
Engine overheats	<ol style="list-style-type: none"> 1. Engine oil level low. 2. Air flow restricted. 	<ol style="list-style-type: none"> 1. Fill engine with proper amount and type of oil. 2. Clean grass clippings and debris from around the engine's cooling fins and blower housing.
Engine hesitates at high RPMs	<ol style="list-style-type: none"> 1. Spark plug gap set too close. 	<ol style="list-style-type: none"> 1. Remove spark plug and adjust gap.
Engine idles poorly	<ol style="list-style-type: none"> 1. Fouled spark plug. 2. Dirty air cleaner. 	<ol style="list-style-type: none"> 1. Replace spark plug and adjust gap. 2. Clean or replace air cleaner element and/or clean pre-cleaner.
Excessive vibration	<ol style="list-style-type: none"> 1. Cutting blades loose or unbalanced. 2. Damaged, dull or bent cutting blade. 	<ol style="list-style-type: none"> 1. Tighten blade and spindle. Balance blade. 2. Replace blade.
Uneven cut	<ol style="list-style-type: none"> 1. Deck not leveled properly. 2. Dull blade. 3. Uneven tire pressure. 	<ol style="list-style-type: none"> 1. Perform side-to-side deck adjustment. 2. Sharpen or replace blade. 3. Check tire pressure in all four tires.

MANUAL DEL OPERADOR

Tractor de radio de giro cero Controles de la barra de seguridad (“lapbar”)

Inglés (English).....	Página 1
Español	Página 35
Francés (French)	Página 74

Registro de Información del Producto

Antes de configurar y hacer funcionar su equipo nuevo, por favor localice la placa de modelo en el equipo y registre la información en el espacio de la derecha. Para encontrar la placa de modelo eleve el asiento y mire en la parte inferior de la bandeja del asiento. Necesitará esta información si tiene que solicitar soporte técnico a través de nuestro sitio web, el Departamento de Atención al Cliente, o de un distribuidor local de servicio autorizado.

Número de modelo

Número de serie

ADVERTENCIA

Lea y cumpla todas las reglas e instrucciones de seguridad de este manual antes de intentar operar esta máquina.

Si no sigue estas instrucciones, se pueden provocar lesiones personales - GUARDE ESTAS INSTRUCCIONES.

NOTA: este Manual del Operador corresponde a varios modelos. Las características pueden variar según los modelos. No todas las características que se incluyen en este manual se aplican a todos los modelos y el modelo que se ilustra aquí puede diferir del suyo.

MEDIDAS DE SEGURIDAD

⚠ ADVERTENCIA



Este símbolo indica instrucciones de seguridad importantes que, de no seguirse, podrían poner en peligro la seguridad personal y/o la propiedad suya y de terceros. Lea y cumpla todas las instrucciones de este manual antes de intentar hacer funcionar esta máquina. Si no sigue estas instrucciones, se pueden provocar lesiones personales. Cuando vea este símbolo, ¡TENGA EN CUENTA LA ADVERTENCIA!

⚠ PELIGRO

Esta máquina está diseñada para ser utilizada respetando las medidas de seguridad contenidas en este manual. Al igual que con cualquier tipo de equipo motorizado, un descuido o error por parte del operador puede producir lesiones graves. Esta máquina es capaz de amputar manos y pies y de arrojar objetos. De no respetar las instrucciones de seguridad siguientes, se pueden ocasionar lesiones graves o la muerte.

FUNCIONAMIENTO GENERAL

1. Lea, entienda y cumpla todas las instrucciones incluidas en el tractor y en los manuales antes de intentar armar la unidad y utilizarla. Guarde este manual en un lugar seguro para consultas futuras y periódicas, así como para solicitar repuestos.
 2. Familiarícese con todos los controles y su correcto funcionamiento. Sepa cómo detener el tractor y desactivar los controles rápidamente.
 3. No permita nunca que los niños menores de 14 años utilicen este tractor. Los niños de 14 años en adelante deben leer y entender las instrucciones y las normas de seguridad contenidas en este manual y sobre el tractor, y deben ser entrenados y supervisados por un adulto.
 4. Nunca permita que los adultos operen este tractor sin recibir antes la instrucción apropiada.
 5. Si se presentan situaciones que no están previstas en este manual, tenga cuidado y use el sentido común. Póngase en contacto con su representante de atención al cliente para obtener ayuda.
 6. De conformidad con la Comisión de Seguridad de Productos para el Consumidor de los Estados Unidos (CPSC) y la Agencia de Protección Ambiental de los Estados Unidos (EPA), este producto tiene una vida útil estimada de siete (7) años, en condiciones normales de uso. Al final de su vida útil, se deberá solicitar una inspección del producto anualmente a fin de asegurarse de que todos los sistemas mecánicos y de seguridad funcionen adecuadamente, de manera segura y no estén excesivamente desgastados. Si no lo hace, puede ocasionar accidentes, lesiones o la muerte.
2. A fin de evitar lesiones por el contacto con las cuchillas o por objetos arrojados, mantenga a los asistentes a por los menos 75 pies (23 metros) del tractor mientras está en funcionamiento. Mantenga a los observadores, los niños y las mascotas en interiores durante el funcionamiento. Detenga el tractor si alguien entra en la zona.
 3. Esté atento a la dirección de la descarga del tractor y no apunte a nadie.
 4. Para protegerse los ojos, utilice siempre anteojos o antiparras de seguridad durante la operación o mientras realiza ajustes o reparaciones. Los objetos arrojados que rebotan pueden producir lesiones graves en los ojos.
 5. Utilice zapatos de trabajo resistentes, de suela fuerte, y pantalones y camisas ajustados. Las ropas sueltas, las alhajas y el cabello largo pueden engancharse en las piezas móviles. Nunca haga funcionar este tractor si está descalzo o con sandalias.
 6. Nunca llene en exceso el depósito de combustible. Llene el depósito no más de 1/2 pulgada (13 mm) por debajo de la base del cuello de llenado, para dejar espacio para la expansión del combustible.
 7. Vuelva a colocar la tapa de la gasolina y ajústela bien.
 8. Use solo aditamentos o accesorios aprobados para este tractor por el fabricante del tractor. Lea, comprenda y siga todas las instrucciones incluidas con el accesorio o aditamento aprobado.

FUNCIONAMIENTO

PREPARATIVOS ANTERIORES AL USO

1. Revise minuciosamente el área donde se va a usar el tractor. Saque todas las piedras, palos, cables, huesos, juguetes y demás objetos extraños que puedan ser recogidos y arrojados por las cuchilla(s). Los objetos arrojados por la máquina pueden producir lesiones personales graves.
2. Desactive las cuchillas y mueva las palancas de control de la transmisión completamente hacia afuera para poner el freno de mano antes de intentar arrancar el motor.

MEDIDAS DE SEGURIDAD

3. No ponga las manos ni los pies cerca de las piezas giratorias ni debajo de la plataforma de corte. El contacto con las cuchilla(s) puede amputar manos y pies.
4. Esté atento a los hoyos, surcos, baches, rocas, u otros objetos ocultos. El terreno desnivelado puede hacer que vuelque el tractor. El césped alto puede ocultar obstáculos.
5. Planifique el patrón de corte, para evitar que la descarga de material se realice hacia los caminos, las veredas, los asistentes, etc. Evite descargar material contra una pared u obstrucción, ya que esto podría hacer que el material descargado rebotara contra el operador.
6. Revise la holgura superior antes de conducir debajo de ramas bajas de árboles, cables, cerramientos de puertas, etc., donde el operador puede golpearse o ser tirado del tractor, lo que podría resultar en lesiones graves.
7. Nunca deje el tractor en funcionamiento sin vigilancia. Apague siempre las cuchillas, mueva las palancas de control de la transmisión completamente hacia afuera a la posición de freno de mano, pare el motor y saque la llave antes de bajarse.
8. Desactive las cuchillas, mueva las palancas de control de la transmisión completamente hacia afuera para poner el freno de mano, pare el motor y espere hasta que las cuchillas se detengan por completo antes de extraer el colector de césped, vaciar el césped, desobstruir el canal, extraer el césped o los residuos o realizar cualquier ajuste.
9. Su tractor fue diseñado para cortar césped residencial normal, con una altura no mayor de 10 pulgadas (25 cm). No intente cortar césped demasiado crecido, seco (por ej., pastura) ni pilas de hojas secas. El césped o las hojas que están secos pueden entrar en contacto con el escape del motor y/o acumularse en la plataforma del tractor presentando un potencial peligro de incendio.
10. Retroceda lentamente. Siempre mire hacia abajo y hacia atrás antes y mientras retrocede para evitar accidentes en retroceso.
11. Nunca lleve pasajeros.
12. Manténgase a por lo menos 10 pies (3 metros) de barrancos, zanjas o terraplenes o del borde del agua. El tractor puede volcarse repentinamente si una de las ruedas pasa el borde de un acantilado o zanja o si se desmorona un borde.
13. Un deflector del canal faltante o dañado puede provocar lesiones por contacto con las cuchillas o por objetos arrojados.
14. No opere el tractor si no está el deflector del canal o el colector de césped completo en su lugar correspondiente.
15. Tenga mucho cuidado con los colectores de césped y otros accesorios. Pueden modificar la estabilidad del tractor. Siga siempre las instrucciones del fabricante del accesorio.
16. Detenga la(s) cuchilla(s) cuando cruce caminos de gravilla, senderos o caminos y cuando no esté cortando el césped.
17. Vigile el tránsito vehicular cuando esté operando cerca de caminos o en cruces. Este tractor no se ha diseñado para el uso en la vía pública.
18. Úselo solamente con luz natural o con buena luz artificial.
19. No haga funcionar el tractor si se encuentra bajo los efectos del alcohol o las drogas.
20. Reduzca la velocidad antes de girar. Opere el tractor suavemente. Evite que funcione de manera errática y a excesiva velocidad.
21. El silenciador y el motor están a temperatura muy alta y pueden provocar lesiones graves por quemaduras. No los toque. Deje que se enfríe el tractor durante cinco minutos antes de intentar cualquier tarea de mantenimiento.
22. Nunca haga funcionar un motor en interiores o en un área mal ventilada. El escape del motor contiene monóxido de carbono, un gas inodoro y letal.

NIÑOS

1. Se pueden producir accidentes trágicos si el operador no está alerta por la presencia de niños. Por lo general, los niños se sienten atraídos por el tractor y su actividad. Los niños no son conscientes de los peligros. Nunca asuma que los niños permanecerán donde los vio por última vez.
2. Mantenga a los observadores, los niños y las mascotas en interiores durante la operación bajo la atenta supervisión de un adulto responsable que no sea el operador. Detenga el tractor si alguien entra en la zona.
3. Nunca transporte niños, ni siquiera con las cuchillas desactivadas. Podrían caerse o interferir con la operación segura del tractor, causando lesiones graves o la muerte.
4. Los niños que ya fueron transportados en el pasado podrían aparecer repentinamente en la zona de corte para otra vuelta y ser atropellados o también podrían ser arrollados al dar marcha atrás con el tractor, causando lesiones graves o la muerte.
5. Esté alerta y apague el tractor si un niño o un observador ingresa al área.
6. Para evitar accidentes al retroceder, siempre mire hacia atrás y hacia abajo para ver si hay niños.
7. Tenga mucho cuidado al aproximarse a las esquinas ciegas, puertas, arbustos, árboles u otros objetos que puedan obstaculizarle la vista de un niño que pudiese correr al encuentro del tractor.
8. No permita nunca que los niños menores de 14 años utilicen este tractor. Los niños de 14 años en adelante deben leer y entender las instrucciones y las normas de seguridad contenidas en este manual y sobre el tractor, y deben ser entrenados y supervisados por un adulto.

MEDIDAS DE SEGURIDAD

9. No permita que se transporte a ningún niño por diversión en el tractor. El tractor no es un juguete ni un carro de paseo. Advértales a sus hijos que el tractor puede ser peligroso y que deben mantenerse alejados de él en todo momento.
 10. Mantenga a los niños alejados de los motores calientes o en funcionamiento. Pueden sufrir quemaduras al tocar un silenciador caliente.
 11. Retire la llave cuando el tractor quede sin vigilancia para evitar el funcionamiento no autorizado. Asegúrese de que la llave quede fuera del alcance de los niños pequeños.
10. Haga que todos los movimientos en las pendientes sean lentos y graduales. No realice cambios bruscos de velocidad o dirección. La aceleración repentina podría hacer que el frente del tractor se levantara y volcara rápidamente hacia atrás, lo que podría producir lesiones graves o la muerte.

FUNCIONAMIENTO EN PENDIENTES

1. Las pendientes son un factor importante en los accidentes ocasionados por pérdida de control y vuelcos que pueden causar lesiones graves e incluso la muerte. Todas las pendientes requieren precaución extra. Si no puede retroceder por la pendiente o si no se siente seguro, no realice ningún corte.
2. Para su seguridad, mida las pendientes antes de usar el tractor en el lugar inclinado. Use el dispositivo de medición de pendientes además del indicador de pendientes que se incluye como parte de este manual para medir las pendientes antes de operar este tractor en una zona inclinada o con pendientes. Para medir las pendientes, también se pueden usar aplicaciones de teléfonos inteligentes. Si la pendiente es de más de 15° (25%), como se muestra en el indicador de pendientes o un dispositivo de medición de pendientes, no haga funcionar este tractor en ese sector o podría causar lesiones graves.
3. No corte el césped en pendientes de más de 15° (25%).
4. No corte el césped subiendo y bajando pendientes, solo hágalo de forma transversal a las pendientes que son de menos de 15° (25%). Utilice las velocidades bajas y evite los giros bruscos.
5. No corte el césped húmedo. La reducción de la tracción puede causar derrapes o pérdidas del control.
6. No opere el tractor en ninguna condición en la que se comprometan la tracción, la dirección o la estabilidad. Los neumáticos podrían deslizarse incluso si las ruedas están detenidas.
7. Evite arrancar y parar en una pendiente. Evite hacer cambios repentinos de velocidad o dirección. Haga los giros de forma lenta y gradual.
8. Tenga mucho cuidado al operar este tractor con el colector de césped y otros accesorios. Pueden comprometer la estabilidad del tractor. No utilice el colector de césped en pendientes superiores a 10° (17%).
9. No intente estabilizar el tractor poniendo el pie en el suelo.

INDICADOR DE PENDIENTE (CUBIERTA POSTERIOR)

ADVERTENCIA

Las pendientes son un factor importante en los accidentes ocasionados por derrapes y caídas y pueden producir lesiones graves. Todas las pendientes requieren precaución extra. Si no se siente seguro en una pendiente, no corte el césped. No corte el césped en pendientes de más de 15° (25%). Siempre corte el césped de forma transversal a la pendiente, nunca hacia arriba y hacia abajo.

PARA DETERMINAR SI UNA PENDIENTE ES DEMASIADO EMPINADA Y EVITAR RIESGOS, USE EL INDICADOR DE PENDIENTE QUE APARECE EN LA CUBIERTA POSTERIOR COMO SE MUESTRA.

Para comprobar la pendiente, proceda de la siguiente manera:

1. Abra el manual por la contraportada y dóblelo por la línea de puntos.
2. Ubique un objeto vertical que esté sobre la pendiente o detrás de la misma (p. ej., un poste, un edificio, un cerco, un árbol, etc.).
3. Alinee cualquiera de los lados del indicador de pendiente con el objeto.
4. Ajuste el indicador hacia arriba o abajo hasta que la esquina izquierda toque la pendiente.
5. Si hay una separación por debajo del indicador, significa que la pendiente es demasiado empinada para una operación segura.

INCENDIOS Y COMBUSTIBLE

1. Para evitar lesiones personales o daños materiales sea sumamente cuidadoso al manipular la gasolina. La gasolina es sumamente inflamable y sus vapores son explosivos. Si se derrama gasolina encima o sobre la ropa se puede lesionar gravemente ya que se podría prender fuego. Lávese la piel y cámbiese de ropa de inmediato.
2. Apague los cigarrillos, cigarrillos, pipas y toda otra fuente de combustión.
3. Utilice sólo recipientes para gasolina aprobados.
4. Nunca saque la tapa del combustible ni agregue combustible mientras el motor está caliente o en marcha. Deje que el motor se enfríe por lo menos cinco minutos antes de volver a cargar combustible.
5. Nunca cargue combustible en los tractores en interiores.

MEDIDAS DE SEGURIDAD

6. Nunca guarde el tractor o el recipiente de combustible en un espacio cerrado donde haya fuego, chispas o luz piloto, como por ejemplo de calentadores de agua, calefactores de ambientes, hornos, secadores de ropa u otros aparatos a gas.

7. Limpie la gasolina que se pueda haber derramado sobre el motor y el equipo. Limpie los derrames de combustible o de aceite y elimine los residuos empapados con gasolina. Traslade el tractor a otra zona. Espere 5 minutos antes de arrancar el motor.

8. Para reducir el riesgo de incendio, mantenga el tractor limpio de pasto, hojas y residuos acumulados. Siga las instrucciones de Cuidado del tractor posterior al funcionamiento de la sección de Cuidado del producto.

9. Su tractor fue diseñado para cortar césped residencial normal, con una altura no mayor de 10 pulgadas (25 cm). No intente cortar césped demasiado crecido, seco (como un pastizal) ni pilas de hojas secas. El césped o las hojas que están secos pueden entrar en contacto con el escape del motor y/o acumularse en la plataforma del tractor presentando un potencial peligro de incendio.

10. Nunca llene en exceso el depósito de combustible. Llene el tanque no más de 1/2 pulgada (13 mm) por debajo de la base del cuello de llenado, para dejar espacio para la expansión del combustible.

11. Vuelva a colocar la tapa de la gasolina y ajústela bien. No opere el tractor si la tapa del combustible no está colocada en su lugar.

12. Deje que el tractor se enfríe por lo menos cinco minutos antes de cargarle combustible o guardarlo.

13. Nunca llene los recipientes en el interior de un vehículo o camión o caja de remolque con un recubrimiento plástico. Siempre ubique los recipientes en el piso, lejos del vehículo antes de llenarlos.

14. Cuando sea factible, retire el equipo a gasolina del camión o remolque y llénelo en el suelo. Si esto no es posible, recargue combustible sobre un remolque con un recipiente portátil, en lugar de una boquilla dosificadora de combustible.

15. En todo momento, mantenga el pico en contacto con el borde del depósito de combustible o con la abertura del recipiente, hasta terminar la carga. No utilice un dispositivo de bloqueo/apertura de boquilla.

TRANSPORTE

1. Utilice rampas de ancho total bien sujetas para cargar y descargar un tractor para el transporte.

2. Tenga mucho cuidado al cargar o descargar el tractor en un remolque o camión. Este tractor no debe conducirse subiendo o bajando rampas, ya que el tractor podría volcar y provocar lesiones personales graves. El tractor se debe empujar a mano en rampas para cargarlo o descargarlo correctamente.

3. Eleve la plataforma hasta la posición más alta para una separación para la carga.

REMOLQUE

1. No remolque cargas que superen las 250 libras (113 kg) de peso de arrastre y nunca supere las 50 libras (22 kg) de peso sobre el punto de enganche.
2. No acople equipo remolcado excepto en el punto de enganche del tractor.
3. Nunca permita que los niños y otras personas se suban a equipos remolcados.
4. No remolque en pendientes de más de 5° (9%). En las pendientes, el peso del equipo remolcado puede causar pérdida de tracción y pérdida de control, y/o de la capacidad para detenerse.
5. Siempre tenga mucho cuidado al remolcar con un tractor capaz de hacer giros cerrados (por ejemplo, tractor cortacésped con radio de giro cero). Realice giros amplios para el accodillamiento.
6. Desplácese lentamente y deje distancia adicional para detenerse.

SERVICIO

1. Mantenga la máquina en buenas condiciones de funcionamiento. No use el tractor hasta que se reemplacen las piezas desgastadas o dañadas.
2. Para evitar lesiones graves o la muerte, no modifique el motor de ninguna manera. La manipulación del ajuste del regulador puede modificar la regulación del motor y hacer que este funcione a velocidades inseguras. Nunca manipule el ajuste de fábrica del regulador del motor. No cambie la configuración del regulador del motor ni acelere demasiado el motor. El regulador del motor controla la velocidad máxima de funcionamiento seguro del motor.
3. Las cuchillas del tractor son afiladas. Envuelva la cuchilla o utilice guantes y extreme las precauciones cuando les haga mantenimiento.
4. Los tractores que tienen motores, mangueras o bombas hidráulicas, y/o sistemas de inyección diésel tienen sistemas de líquidos bajo presión. El líquido que escapa a presión puede tener fuerza suficiente para penetrar la piel y causar lesiones graves. Si se inyecta líquido en la piel, consulte de inmediato a un médico. Mantenga el cuerpo y las manos alejados de los orificios de pasadores o los picos que expulsan líquido a alta presión. Si ocurre una pérdida, haga que un distribuidor autorizado realice el mantenimiento del tractor de inmediato.

MEDIDAS DE SEGURIDAD

5. Antes de limpiar, reparar o inspeccionar la máquina, compruebe que la(s) cuchilla(s) y todas las piezas móviles se hayan detenido. Apague el motor, saque la llave y desconecte los cables de las bujías y el cable negativo de la batería para evitar un arranque involuntario.
6. Controle para garantizar que las cuchillas se detengan completamente en no más de cinco segundos después de desactivar el control de desactivación de las cuchillas según el intervalo del Cronograma de mantenimiento. Mida el tiempo hasta la detención con un cronómetro. Si las cuchillas no se detienen completamente en menos de cinco segundos, su tractor debe ser reparado por un profesional en un distribuidor de servicio autorizado.
7. Controle el sistema de interbloqueo de seguridad, según el intervalo del Cronograma de mantenimiento para un funcionamiento correcto, tal como se describe más adelante en este manual. Si el sistema de interbloqueo de seguridad no funciona correctamente, lleve su tractor a hacerle un servicio profesional de un distribuidor autorizado.
8. Nunca altere el sistema de interbloqueo de seguridad u otros dispositivos de seguridad. Compruebe regularmente que estos elementos funcionen correctamente.
9. Controle el par de ajuste del perno de montaje del motor y las cuchillas de acuerdo con la tabla del Cronograma de mantenimiento de este manual. Además, inspeccione visualmente las cuchillas para detectar la presencia de daños (por ejemplo: desgaste excesivo, abolladuras, rajaduras). Reemplace las cuchillas por cuchillas de los fabricantes del equipo original (O.E.M.) únicamente.
10. El uso de piezas de mantenimiento que no cumplen con las especificaciones del equipo original puede resultar en rendimiento inadecuado y puede poner en peligro la seguridad.
11. Mantenga todas las tuercas, pernos y tornillos bien ajustados para asegurarse de que el equipo está en condiciones de funcionamiento seguras. Revise la tabla del Cronograma de mantenimiento de este manual para obtener información sobre el intervalo de mantenimiento.
12. Después de golpear algún objeto extraño, detenga el motor, desconecte los cables de las bujías y el cable negativo de la batería para evitar un arranque involuntario. Revise cuidadosamente para detectar daños. Repare el daño antes de volver a arrancar y operar la máquina.
13. Nunca intente hacer ajustes o arreglos en el tractor con el motor en marcha.
14. Los componentes del colector de césped y el deflector del canal están sujetos a desgaste y daños lo que podrían dejar expuestas las piezas móviles o permitir que se arrojan objetos. Verifique frecuentemente los componentes y reemplácelos inmediatamente por piezas del fabricante del equipo original (O.E.M.) únicamente.

15. Mantenga o reemplace las etiquetas de seguridad e instrucciones según sea necesario.
16. Respete las normas y reglamentaciones sobre la manera correcta de desechar gasolina, aceite, etc. para proteger el medio ambiente.

AVISO SOBRE LAS EMISIONES DEL MOTOR

Los motores tienen la certificación de cumplimiento de las reglamentaciones de federales para SORE (equipo pequeño para uso fuera de carreteras), funcionan con gasolina normal y pueden incluir los siguientes sistemas de control de emisiones: Modificación de motor (EM) y catalizador de tres vías (TWC) si están equipados con esos sistemas.

Cuando sea necesario, los modelos están equipados con líneas de combustible y depósitos de combustible de baja penetración para controlar las emisiones por evaporación. Por favor, póngase en contacto con Atención al cliente para obtener información sobre la configuración del control de emisiones por evaporación para su modelo.

AMORTIGUADOR DE CHISPAS

ADVERTENCIA

Este tractor cortacésped está equipado con un motor de combustión interno y no debe ser utilizado en o cerca de un terreno agreste cubierto por bosque, malezas o hierba excepto que el sistema de escape del motor esté equipado con un amortiguador de chispas que cumpla con las leyes locales o estatales correspondientes (en caso de existir).

Si se utiliza un amortiguador de chispas, el operador lo debe mantener en condiciones de uso adecuadas. Las leyes federales se aplican en territorios federales, mientras que los estados pueden tener leyes individuales.

Puede conseguir el amortiguador de chispas para el silenciador a través de su distribuidor autorizado de motores más cercano o poniéndose en contacto con el departamento de servicios, P.O. Box 361131, Cleveland, Ohio 44136-0019.


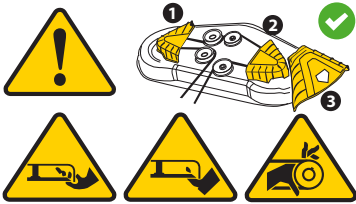

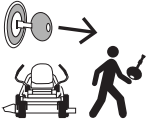
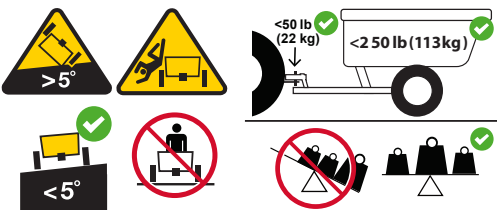
MEDIDAS DE SEGURIDAD

SÍMBOLOS DE SEGURIDAD

En esta tabla se presentan y describen los símbolos de seguridad que PUEDEN APARECER en este producto.

Símbolo	Descripción
 <p data-bbox="236 422 414 454">OPESymbol.com</p>	<p>ADVERTENCIA - LEA EL MANUAL DEL OPERADOR - Lea, entienda y cumpla todas las normas y las instrucciones de seguridad que se incluyen en el manual y en el tractor antes de intentar utilizar este tractor. Si no cumple con lo que indica esta información, se pueden provocar lesiones personales o la muerte. Conserve este manual en un lugar seguro para usarlo como referencia futura habitual. Con un teléfono inteligente, escanee el símbolo del código de QR para obtener más información sobre las advertencias incluidas en este tractor. También puede visitar www.OPESymbol.com para obtener más información.</p>
	<p>ADVERTENCIA - EVITE LESIONES POR OBJETOS ARROJADOS - Mantenga a los asistentes por lo menos a 75 pies (23 metros) de la máquina durante la operación. Saque todas las piedras, palos, cables, huesos, juguetes y demás objetos extraños que puedan ser recogidos y arrojados por las cuchilla(s). Nunca opere el tractor si no está bien colocada la cubierta de descarga o si no está instalado el colector de césped completo en el lugar que corresponde.</p>
	<p>ADVERTENCIA - EVITE LESIONES EN NIÑOS AL RETROCEDER/POR ATROPELLAR/POR CONTACTO CON LAS CUCHILLAS - Para evitar accidentes al retroceder, siempre mire hacia atrás y hacia abajo para ver si hay niños. Nunca transporte niños, ni siquiera con las cuchillas desactivadas. Mantenga a los observadores, los niños y las mascotas en interiores durante la operación bajo la atenta supervisión de un adulto responsable que no sea el operador. Detenga el tractor si alguien entra en la zona.</p>
	<p>ADVERTENCIA - EVITE LESIONES POR VUELCOS - No opere la máquina en una pendiente mayor de 15° (25%). No corte el césped subiéndolo y bajando pendientes, solo hágalo de forma transversal a las pendientes que son de menos de 15° (25%). Utilice las velocidades bajas y evite los giros bruscos en las pendientes. Manténgase a por lo menos 10 pies (3 metros) de barrancos, zanjas o terraplenes o del borde del agua.</p>
	<p>ADVERTENCIA - EVITE INCENDIOS - Su tractor fue diseñado para cortar césped residencial normal, con una altura no mayor de 10 pulgadas (25 cm). No intente cortar césped demasiado crecido, seco (como un pastizal) ni pilas de hojas secas. Deje que el tractor se enfríe por lo menos cinco minutos antes de cargarle combustible o guardarlo en un garaje cerrado o en una bodega de almacenamiento.</p>

MEDIDAS DE SEGURIDAD

Símbolo	Descripción
	<p>ADVERTENCIA - EVITE LESIONES DE AMPUTACIÓN - No ponga las manos ni los pies cerca o debajo de la plataforma de corte. El contacto con las cuchilla(s) puede amputar manos y pies.</p>
	<p>ADVERTENCIA - EVITE LESIONES DE AMPUTACIÓN - No ponga las manos ni los pies cerca de las piezas rotatorias ni debajo de la plataforma de corte. El contacto con las cuchilla(s) puede amputar manos y pies. Compruebe que todos los dispositivos de seguridad (protecciones, escudos, interruptores, etc.) estén en su lugar y funcionando. El contacto con las correas y/o el husillo de las cuchillas puede aplastar o lesionar las partes del cuerpo.</p>
	<p>ADVERTENCIA - EVITE LAS LESIONES POR PUNTOS DE APLASTAMIENTO/COMPRESIÓN - Lea, entienda y cumpla todas las normas y las instrucciones de seguridad que se incluyen en el manual y en el tractor antes de intentar realizar el mantenimiento de este tractor. Para los modelos de elevación con el pie únicamente, el sistema de elevación de la plataforma se acciona por resorte y bajo tensión. Utilice siempre la herramienta para usos múltiples provista para fijar el sistema de elevación en la posición de bloqueo antes de intentar extraer la plataforma de la cortadora de césped.</p>
	<p>ADVERTENCIA - SACAR LA LLAVE - Apague siempre las cuchillas, mueva las palancas de control de la transmisión hacia afuera a la posición de freno de mano, pare el motor y saque la llave antes de bajarse. Si va a dejar el tractor sin supervisión, saque siempre la llave para evitar que niños u otras personas utilicen el tractor sin autorización.</p>
	<p>ADVERTENCIA - EVITE LAS LESIONES RELACIONADAS CON EL REMOLQUE - No remolque cargas que superen las 250 libras (113 kg) de peso de arrastre y nunca supere las 50 libras (22 kg) de peso sobre el punto de enganche. Nunca permita que los niños y otras personas se suban a equipos remolcados. No remolque en pendientes de más de 5° (9%). En las pendientes, el peso del equipo remolcado puede causar pérdida de tracción y pérdida de control, y/o de la capacidad para detenerse. Desplácese lentamente y deje distancia adicional para detenerse.</p>

ADVERTENCIA

Su responsabilidad—Limite el uso de esta máquina motorizada a las personas que lean, comprendan y respeten las advertencias e instrucciones que figuran en este manual y en la máquina. - ¡GUARDE ESTAS INSTRUCCIONES!

NOTA: este manual de operación, corresponde a varios modelos. Las características del tractor pueden variar según los modelos. No todas las características que se incluyen en este manual se aplican a todos los modelos de tractor y la máquina que se ilustra aquí puede diferir de la suya.

NOTA: todas las referencias que contiene este manual sobre los lados derecho o izquierdo y trasero o delantero del tractor se hacen siempre desde la posición de operación. Las excepciones, si las hubiere, serán especificadas.

PREPARATIVOS

Retire el adaptador del pico del sistema de lavado de la plataforma (si está equipado) de la bolsa manual, guárdelo para uso futuro.

Mueva el tractor manualmente

Para obtener información adicional, consulte G. Varillas/lengüetas de derivación de la transmisión en la página 51.

TRANSMISIÓN HYDRO-GEAR® (SI VIENE EQUIPADA)

1. Para engranar las varillas de derivación de transmisión, tire de la varilla hacia atrás (a) y hacia el interior de la sección inferior de la ranura "J" (b). Repita en el lado contrario (Fig. 1).

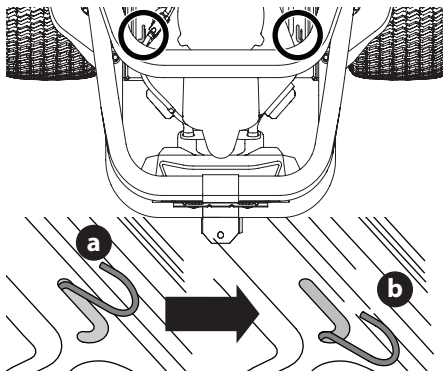


Fig. 1

2. Después de mover el tractor, haga el paso uno a la inversa para desenganchar las varillas de derivación de transmisión.

TRANSMISIÓN TUFF TORQ® (SI VIENE EQUIPADA)

1. Para enganchar las lengüetas de derivación de la transmisión, tire de la lengüeta para afuera. Repita del otro lado (Fig. 2).

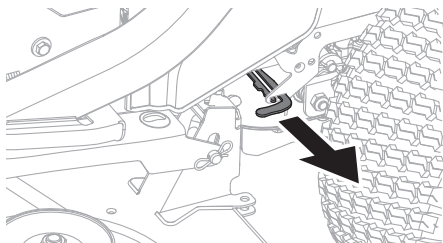


Fig. 2

2. Luego de mover el tractor, invierta el paso 1 para desenganchar las lengüetas de derivación.

Instale el enganche (si fuera necesario)

1. Ubique el enganche (a) e instálelo en la parte trasera del bastidor con los dos tornillos de arandela hexagonal (b) proporcionados (Fig. 3).

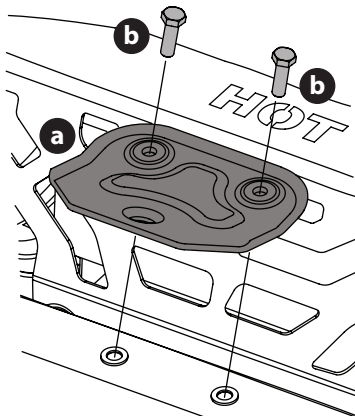


Fig. 3

NOTA: el enganche y los tornillos de arandela hexagonal estarán en el paquete de herrajes.

Reubique el aro superior (si fuera necesario)

Se puede ubicar el aro superior abajo para fines de envío.

1. Extraiga los dos tornillos arandela hexagonal (a) que están instalados parcialmente en el bastidor (Fig. 4).

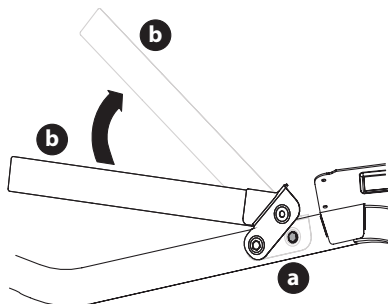


Fig. 4

2. Gire el aro superior (b) hasta que quede en su posición (Fig. 4).
3. Sujete el aro en su lugar con los tornillos de arandela hexagonal que extrajo en el paso 1. Ajuste los tornillos de arandela hexagonal hasta 159-239 pulgadas-libras (18-27 N-m).

INSTALE EL ASIENTO DEL OPERADOR

Ajuste de perilla o ajuste de palanca

1. Corte cualquier tira que sujete el conjunto del asiento al tractor. Extraiga todo el material de embalaje.

NOTA: tenga cuidado de no cortar el arnés de cables del asiento.

2. Instale el asiento en la bandeja del asiento (a) usando los herrajes proporcionados (Fig. 5).
 - a. Para el asiento que se ajuste con perillas, inserte los pernos (b) en los orificios traseros y trabe la arandela (c) y las perillas (d) en el frente. Ajuste bien (Fig. 5).

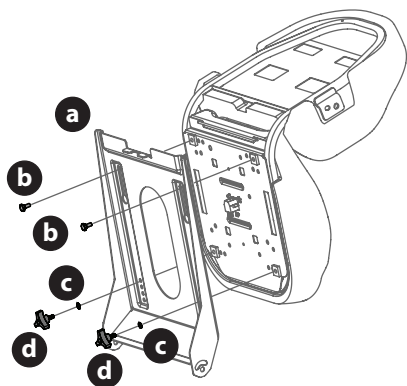


Fig. 5

- b. Para un asiento con ajuste de palanca, use las tuercas de seguridad con brida (a) y las arandelas planas (b) (Fig. 6).

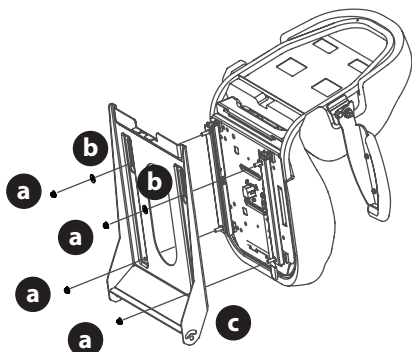


Fig. 6

3. Si es necesario, conecte el arnés de cables del interruptor del asiento (a) al interruptor del asiento (b) (Fig. 7). Sujete el cable sobrante alejado de los puntos de apriete antes de continuar.

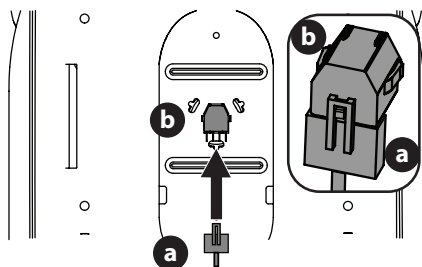


Fig. 7

NOTA: el tractor no funcionará sin el arnés de cables del interruptor del asiento en su lugar.

UBIQUE EN POSICIÓN LAS PALANCA DE CONTROL DEL LA TRANSMISIÓN DE LA BARRA DE SEGURIDAD (LAPBAR)

Estas palancas se pueden ajustar arriba/abajo para comodidad del operador. Están disponibles dos posiciones de altura.

Para ajustar la altura de la palanca de control de la transmisión de barra de seguridad, proceda de la siguiente manera:

1. Extraiga los dos tornillos de carro (a) y las dos tuercas de seguridad con brida (b) que sujetan la palanca de control de la transmisión de barra de seguridad (c) hasta el regulador de palanca superior (d) (Fig. 8).

NOTA: la herramienta para usos múltiples (si está equipada) se puede usar para hacer este ajuste.

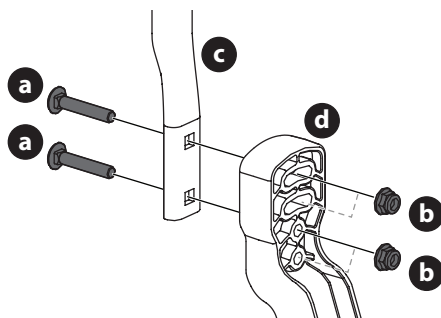


Fig. 8

2. Mueva la palanca de control de la transmisión de barra de seguridad hasta una de las dos alturas disponibles y sujétela en su lugar con los tornillos del carro (a) y las tuercas de seguridad con brida (b) (Fig. 8).

BAJE EL DEFLECTOR DEL CANAL DE LA PLATAFORMA

⚠ ADVERTENCIA

Nunca opere la plataforma de corte sin el deflector del canal instalado y en posición baja.

Colocación del deflector del canal de descarga (si fuera necesario)

1. Retire las chavetas que están sujetas con una unión con cierre al soporte del canal.
2. Retire la tuerca de seguridad con brida y el tornillo hexagonal de la plataforma.
3. Ubique el deflector del canal en la plataforma, asegúrese de insertar las lengüetas de dicho deflector en los orificios de la plataforma (Fig. 9).

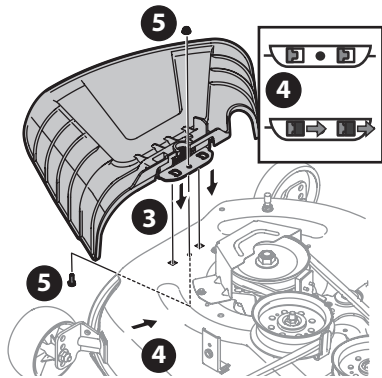


Fig. 9

4. Deslice el deflector del canal hacia la parte posterior del tractor hasta que el orificio del perno que está en el deflector del canal quede alineado con el orificio de la plataforma (Fig. 9).
5. Sujete el deflector del canal en su lugar con la tuerca de seguridad con brida y el tornillo hexagonal que se extrajeron en el paso dos. Ajuste hasta 102-124 pulgadas-libras (12-14 N-m). Pase a Ajuste de las ruedas de calibración delanteras (si están instaladas).

Quitando el soporte de tope (si fuera necesario)

1. Si el canal se envía sujeto y con un soporte de tope que lo mantiene en posición vertical, los soportes de tope se deben extraer antes de utilizar el tractor.
2. Sujete el deflector del canal completamente hacia arriba, extraiga el soporte de tope. Baje el deflector del canal y deseche el soporte de tope (Fig. 10).

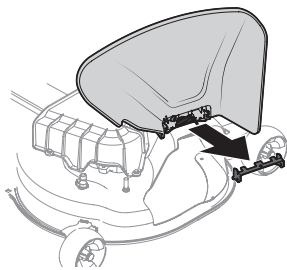


Fig. 10

AJUSTE DE LAS RUEDAS DE CALIBRACIÓN DELANTERAS (SI ESTÁN INSTALADAS)

NOTA: las ruedas de la plataforma constituyen un mecanismo para el cuidado del césped y no fueron diseñadas para soportar el peso de la plataforma de corte.

1. Mueva el tractor a una superficie nivelada, preferentemente pavimentada.
2. Controle la presión de los neumáticos, ajuste si es necesario. Consulte la pared lateral de los neumáticos para averiguar las presiones de inflado adecuadas.
3. Asegúrese de que la plataforma esté nivelada de un lado a otro, y adecuadamente inclinada. Consulte en la sección Cuidado del producto para obtener información e instrucciones para nivelar la plataforma.
4. Coloque la palanca de elevación de la plataforma, el pomo o el pasador en la posición de altura de siega deseada y baje la plataforma.
5. Controle si las ruedas están en contacto con la superficie de abajo o si hay una separación excesiva.

NOTA: las ruedas de la plataforma deben tener entre 1/4 pulgada (6.35 mm) y 1/2 pulgada (12.7 mm) de separación del suelo.

6. Extraiga la tuerca e seguridad (a) rueda de calibración (b) y el tornillo con reborde (c) de la plataforma (Fig. 11).

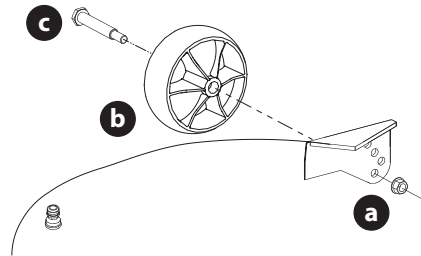


Fig. 11

7. Inserte el tornillo con reborde en uno de los cuatro orificios de posicionamiento, en el del soporte de rueda de calibración delantera. Deje 1/4-1/2 pulgada (6.35-12.7 mm) de separación entre el suelo y la rueda de calibración.
8. Observe el orificio de posicionamiento de la rueda que se acaba de ajustar anteriormente. Repita el ajuste en el lado contrario para alinear ambas ruedas de calibración.

NOTA: consulte la sección Ajustes en este manual para encontrar más información.

INFORMACIÓN SOBRE LA BATERÍA

⚠ ADVERTENCIA

En caso de que se produzca una salpicadura accidental de ácido en los ojos o la piel, enjuague el área afectada inmediatamente con agua limpia fría. Consulte a un médico inmediatamente.

Si el ácido salpica la ropa, en primer lugar dilúyalo con agua limpia, luego neutralícelo con una solución de agua/amoniaco o bicarbonato/agua.

NUNCA conecte (o desconecte) las abrazaderas del cargador de la batería a la batería si el cargador está encendido, ya que puede causar chispas.

Mantenga todas las fuentes de ignición (cigarrillos, cerillas, encendedores) alejadas de la batería. El gas generado durante la carga puede ser combustible.

Como precaución adicional, cargue la batería únicamente en un área bien ventilada.

Siempre proteja sus ojos y su piel y vestimenta cuando trabaje cerca de baterías.

Las baterías contienen ácido sulfúrico y pueden producir gases explosivos. Tenga sumo cuidado cuando manipule baterías. Mantenga las baterías lejos del alcance de los niños.

La batería puede generar riesgo de incendio o quemadura química si se la usa incorrectamente. NO abra, desensamble, sobrecaliente o incinere la batería.

⚠ PRECAUCIÓN

Quando coloque los cables de la batería, conecte siempre primero el cable POSITIVO (rojo) a su borne, y a continuación el cable NEGATIVO (negro).

NOTA: el terminal positivo de la batería está marcado como Pos. (+). El terminal negativo de la batería está marcado como Neg. (-).

Conexión de los cables de la batería

⚠ ADVERTENCIA

Siempre conecte el conductor positivo a la batería antes de conectar el conductor negativo. Esto evita la generación de chispas o posibles lesiones producidas por un cortocircuito eléctrico causado por el contacto del cuerpo del tractor con las herramientas que se usan para conectar los cables.

Por razones relacionadas con el embarque, la fábrica puede dejar los dos cables de la batería desconectados de los terminales. Para conectar los cables de la batería, proceda de la siguiente manera:

NOTA: el mazo de cables debería colocarse sobre la parte superior de la barra de sujeción de batería. De no ser así, el mazo de cables podría resultar dañado (Fig. 15 en la página 48).

MODELOS CON BATERÍA DE ÁCIDO-PLOMO

1. Retire la cubierta plástica, si está presente, del terminal positivo de la batería. Conecte el cable rojo al terminal positivo de la batería (+) utilizando el perno (a) y la tuerca hexagonal (b) (Fig. 12).
2. Coloque el capuchón de goma rojo (c) sobre el terminal positivo de la batería para protegerlo contra la corrosión (Fig. 12).
3. Retire la cubierta plástica, si está presente, del terminal negativo de la batería y conecte el cable negro al terminal negativo de la batería (-) utilizando el perno (a) y la tuerca hexagonal (b) (Fig. 12).

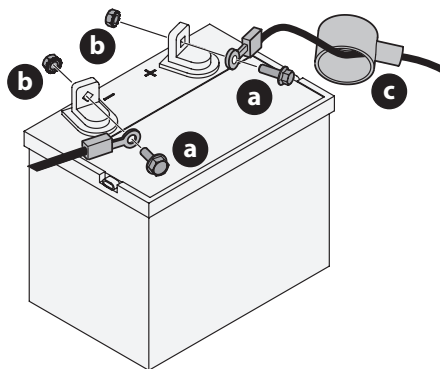


Fig. 12

NOTA: si la batería se pone en funcionamiento después de la fecha indicada en su parte superior o al costado de la misma, cárguela siguiendo las instrucciones de la sección Carga de la batería antes de operar el tractor.

MODELOS CON BATERÍA AGM

1. Extraiga los tornillos hexagonales (a) y las tuercas cuadradas (b) situados en el extremo del arnés de cables o en la bolsa que acompaña a este manual. Guarde los herrajes para uso posterior (Fig. 13 en la página 47).
2. Retire la cubierta plástica (c), si está presente, del borne positivo de la batería (d) y una el cable rojo (e) al borne positivo de la batería (b) utilizando uno de los tornillos hexagonales (a) y las tuercas cuadradas (b) que se extrajeron en el paso 1. Use un destornillador Philips (Fig. 13 en la página 47).
3. Coloque el capuchón de caucho rojo por encima del borne positivo de la batería para protegerlo contra la corrosión (el inserto en la Fig. 13 en la página 47).
4. Retire la cubierta plástica (c), si está presente, del borne negativo de la batería (f) y una el cable negro (g) al borne negativo de la batería (f) utilizando el tornillo hexagonal restante (a) y la tuerca cuadrada (b) (Fig. 13 en la página 47).

CONFIGURACIÓN

NOTA: si la batería se pone en funcionamiento después de la fecha indicada en su parte superior o al costado de la misma, cárguela siguiendo las instrucciones de la sección Carga de la batería antes de operar el tractor.

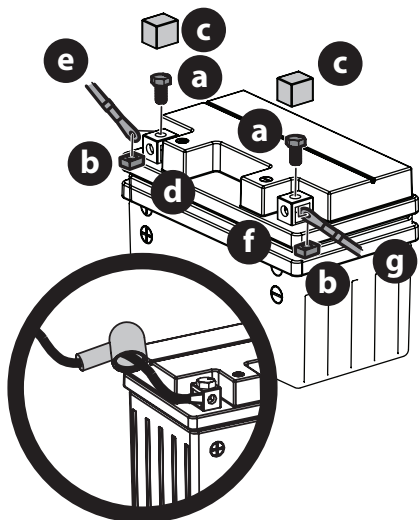


Fig. 13

Mantenimiento de la batería

- Algunas baterías se llenan con ácido de batería y se sellan en la fábrica. Sin embargo, para asegurar un ciclo de vida adecuado es necesario realizar cierto mantenimiento, aún en las baterías 'sin mantenimiento'.
- Rocíe los terminales y el cable expuesto con un sellador de terminales de batería, o recubra los terminales con una capa delgada de grasa o vaselina para protegerlos contra la corrosión.
- Siempre mantenga limpios y libres de corrosión los cables y los terminales de la batería.
- Algunos modelos vienen equipados con una batería que contiene un electrolito líquido. Manipule la batería con cuidado y evite inclinarla para evitar fugas.

Almacenamiento de la batería

- Cuando el tractor se guarda durante períodos prolongados, desconecte el cable negativo de la batería. No es necesario retirar la batería.
- Todas las baterías se descargan durante el almacenamiento. Mantenga el exterior de la batería limpio, especialmente la parte superior. Una batería sucia se descarga con mayor rapidez.
- La batería debe guardarse con carga completa. Una batería descargada se puede congelar más pronto que una batería cargada. Una batería con carga completa se guarda por más tiempo en temperaturas frías que en temperaturas altas.

- Vuelva a cargar la batería antes de volver a ponerla en servicio. Aun cuando el tractor pueda arrancar, el sistema de carga del motor tal vez no recargue totalmente la batería.

Retiro de la batería

⚠ ADVERTENCIA

Los contactos, bornes y accesorios afines de las baterías contienen plomo y compuestos de plomo. Lávese las manos después de estar en contacto con estos componentes.

La batería está ubicada debajo del marco del asiento. Para retirar la batería:

MODELOS CON BATERÍA DE ÁCIDO-PLOMO

1. Retire el tornillo de cabeza hexagonal y la tuerca hexagonal que fijan el conductor negativo negro de la batería al borne negativo de la batería (marcado 'NEG' (-)). Aleje el cable del terminal negativo de la batería.
2. Retire el tornillo de cabeza hexagonal y la tuerca hexagonal que fijan el conductor positivo rojo de la batería al borne positivo de la batería (marcado 'POS' (+)).
3. Extraiga el tornillo de cabeza hexagonal con arandela (a) que sujeta la barra de sujeción de la batería al marco (b). Luego levante la barra de sujeción (b) de la batería para liberar la batería (Fig. 14).

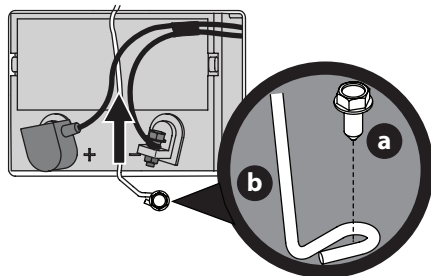


Fig. 14

4. Levante con cuidado la batería para sacarla del tractor.
5. Instale la batería repitiendo los pasos anteriores en orden inverso.

MODELOS CON BATERÍA AGM

1. Retire el tornillo hexagonal y la tuerca cuadrada que fijan el conductor negativo negro de la batería al borne negativo de la batería (marcado 'NEG' (-)). Aleje el cable del borne negativo de la batería.
2. Retire el tornillo hexagonal y la tuerca cuadrada que fijan el conductor positivo rojo de la batería al borne positivo de la batería (marcado 'POS' (+)).

3. Extraiga el tornillo de arandela hexagonal (a) que sujeta la barra de sujeción de la batería al bastidor (b). Luego levante la barra de sujeción de la batería (b) para liberar la batería (Fig. 15).

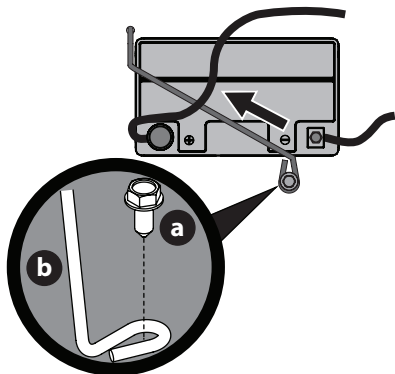


Fig. 15

4. Levante con cuidado la batería para sacarla del tractor.
5. Instale la batería repitiendo los pasos anteriores en orden inverso.

Carga de la batería

Si el tractor ha estado guardado durante un tiempo, pruebe la batería y, si es necesario, recárguela.

MODELOS CON BATERÍA DE ÁCIDO-PLOMO

- Una lectura del voltímetro o del comprobador de carga de 12,4 voltios (DC) o menos a través de los terminales de la batería indica que la batería necesita ser cargada.
- Debe utilizarse un cargador de batería de ácido-plomo. La tasa recomendada de carga es 4A/14.7V.
- Si su cargador de batería es automático, cargue la batería hasta que el cargador indique que se ha completado la carga. Si el cargador no es automático, cargue durante ocho (8) horas como mínimo.

MODELOS CON BATERÍA AGM

- Debe utilizarse un cargador de batería AGM. La tasa recomendada de carga es 1.1A/14.8V.

¡IMPORTANTE! NO use un cargador para automóviles.

- Si su cargador de batería es automático, cargue la batería hasta que el cargador indique que se ha completado la carga. Si el cargador no es automático, cargue durante ocho (8) horas como mínimo.

AJUSTE DEL ASIENTO

Ajuste por perilla

1. Extraiga las perillas (a) (Fig. 16).
2. Deslice el asiento hacia arriba o abajo hasta la posición deseada.
3. Vuelva a colocar las perillas en uno de los cuatro ajustes de los orificios y ajuste bien (Fig. 16).

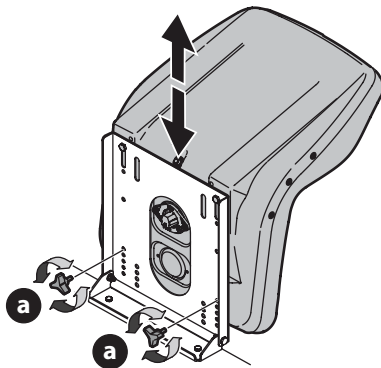


Fig. 16

Ajuste de las palancas

1. Para ajustar la posición del asiento, empuje la palanca de ajuste del asiento hacia la izquierda y manténgala en esa posición.
2. Deslice el asiento hacia adelante o atrás hasta la posición deseada.
3. Suelte la palanca de ajuste. Asegúrese de que el asiento esté fijo en su posición antes de operar el tractor (Fig. 17).

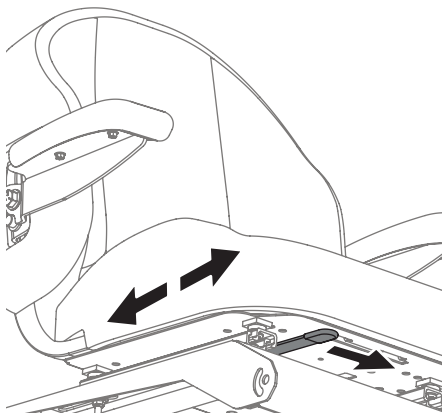


Fig. 17

FUNCIONAMIENTO

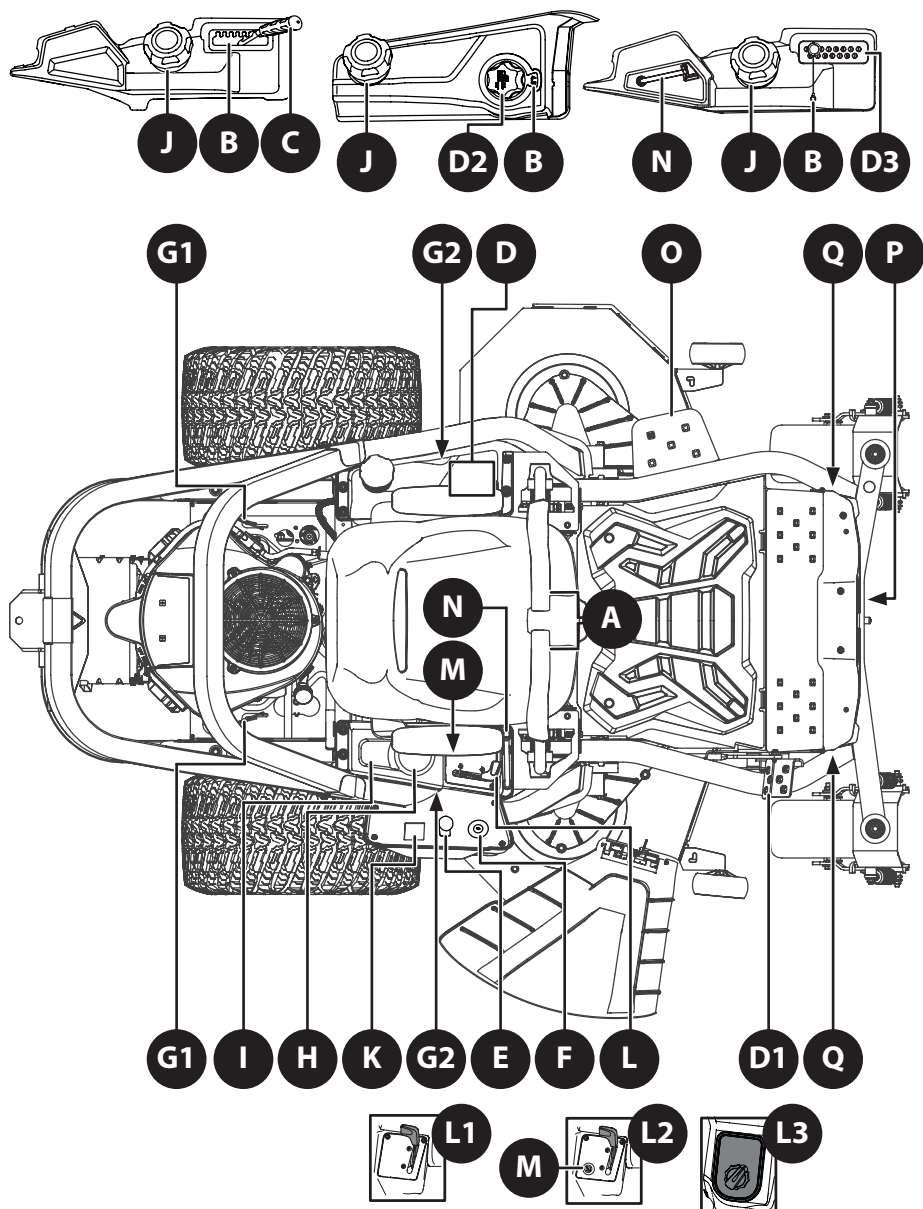


Fig. 18

NOTA: este manual de operación corresponde a varios modelos. Las características del tractor pueden variar según los modelos. No todas las características que se incluyen en este manual se aplican a todos los modelos de tractor y la máquina que se ilustra aquí puede diferir de la suya.

NOTA: todas las referencias que contiene este manual sobre los lados derecho o izquierdo y trasero o delantero del tractor se hacen siempre desde la posición de operación. Las excepciones, si las hubiere, serán especificadas.

A. PALANCAS DE CONTROL DE LA TRANSMISIÓN DE BARRAS DE SEGURIDAD (“LAPBAR”)

Las palancas de control de la transmisión de las barras de seguridad de lado derecho (RH) y lado izquierdo (LH) se encuentran a cada lado del asiento del operador. Las palancas con bisagras se articulan hacia afuera para permitirle al operador sentarse en el asiento o bajarse. Para arrancar el motor del tractor, las palancas de control de la transmisión de barras de seguridad deben estar completamente hacia afuera y en la posición de estacionamiento. Cuando las palancas de control de la transmisión de barras de seguridad están completamente hacia afuera, también se activa el freno de mano.

Cada palanca de control de la transmisión controla la transmisión respectiva. En consecuencia, estas palancas controlan todos los movimientos del tractor. La conducción del tractor y la realización de maniobras con estas palancas de control difieren mucho de las funciones respectivas de los tractores convencionales, y es necesario practicar para poder dominar las mismas. Consulte la sección Funcionamiento para obtener más instrucciones.

B. POSICIONAMIENTO DE LA ALTURA DE LA PLATAFORMA

Cada muesca de posicionamiento de la altura corresponde aproximadamente a un cambio de 1/2 pulgada (12.7 mm) de la altura de la plataforma (C en la Fig. 18).

Si está equipado con una perilla y un pedal de elevación de la plataforma:

Cada rotación representa un cambio de 1/4 pulgada (6.35 mm) en la altura de la plataforma. Las posiciones varían de 1 pulgada (2.5 cm) a 4-1/2 pulgadas (11.4 cm) en el punto más alto (D1 y D2 en la Fig. 18).

Si está equipado con un pedal de elevación de la plataforma y un pasador magnético de 15 posiciones:

Cada posición representa un cambio de 1/4 pulgadas (6.35 mm) en la altura de la plataforma. Las posiciones varían de 1 pulgada (2.5 cm) a 4-1/2 pulgadas (11.4 cm) en el punto más alto (D1 y D3 en la Fig. 18).

C. MANIJA DE ELEVACIÓN DE LA PLATAFORMA (SI ESTÁ EQUIPADO)

La manija de elevación de la plataforma se utiliza para levantar o bajar la plataforma de la cortadora. Para bajar la plataforma, tire de la manija de elevación de la plataforma hacia la derecha para sacarla de la muesca de ubicación y oprimir hacia abajo. Para elevar la plataforma, tire hacia arriba. Asegure que la manija esté completamente posicionada en la muesca de ubicación de altura cuando se alcance la altura deseada.

D. ELEVACIÓN DE LA PLATAFORMA

1. Pedal de elevación de la plataforma (si está equipado) - El pedal de elevación de la plataforma está ubicado en el vértice delantero derecho de la plataforma. El pedal se usa junto con la perilla de elevación de la plataforma (si está equipada) o el pasador magnético de 15 posiciones (si está equipado) para subir y bajar la plataforma de corte. Oprima hacia delante el pedal de elevación de la plataforma, gire la perilla de elevación de la plataforma o mueva el pasador magnético hasta la altura deseada y suelte el pedal de elevación de la plataforma.

2. Perilla de elevación de la plataforma (si está equipado) - La perilla de elevación de la plataforma se usa junto con el pedal de elevación de la plataforma (si está equipado) para subir y bajar la plataforma de corte. Oprima hacia adelante el pedal de elevación de la plataforma, gire la perilla de elevación de la plataforma hasta la altura deseada y suelte el pedal de elevación de la plataforma.

3. Pasador magnético de 15 posiciones (si está equipado) - El pasador magnético de 15 posiciones de elevación de la plataforma se usa junto con el pedal de elevación de la plataforma (si está equipado) para subir y bajar la plataforma de corte. Oprima hacia delante el pedal de elevación de la plataforma, coloque el pasador magnético en la altura deseada y suelte el pedal de elevación de la plataforma.
¡IMPORTANTE! Asegúrese de que el pasador magnético esté completamente colocado.

NOTA: la cantidad de cambio de altura de la plataforma depende de la profundidad de la presión del pedal de elevación de la plataforma. Cuanto más cambio de altura se necesite, más se debe oprimir hacia adelante el pedal de elevación de la plataforma.

E. TOMA DE FUERZA (PTO)

PTO eléctrica (si está equipado)

El interruptor de la toma de fuerza (PTO) hace funcionar el embrague eléctrico de la PTO que está montado en la base del cigüeñal del motor. Tire de la perilla del interruptor hacia arriba para enganchar el embrague de la toma de fuerza (PTO), o empuje la perilla hacia abajo para desactivar el embrague.

Al arrancar el motor, el interruptor de la toma de fuerza (PTO) debe estar en la posición “OFF” (apagado).





F. INTERRUPTOR DE ENCENDIDO

⚠ ADVERTENCIA

Nunca deje una máquina en funcionamiento sin vigilancia. Siempre desconecte la toma de fuerza (PTO), ponga el freno de mano, detenga la máquina y retire la llave para evitar la operación no autorizada.

El interruptor de encendido tiene tres posiciones:

STOP  (parada) — Se apagan el motor y el sistema eléctrico.

RUN  (funcionamiento) — Se activa el sistema eléctrico del tractor cortacésped.

START  (arranque) — El motor de arranque enciende el motor. Suelte la llave inmediatamente apenas arranque el motor.

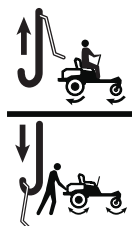
NOTA: para evitar el arranque accidental y/o la descarga de la batería, quite la llave del interruptor de encendido cuando el tractor no se encuentra en uso.

G. VARILLAS/LENGÜETAS DE DERIVACIÓN DE LA TRANSMISIÓN

⚠ PRECAUCIÓN

Nunca remolque su tractor. Si se remolca el tractor con las ruedas traseras apoyadas en el suelo se pueden causar daños graves a las transmisiones.

- 1. Transmisión Hydro-Gear® (si viene equipada)** - Las varillas de derivación de transmisión (una para cada transmisión derecha e izquierda) están ubicadas en la parte posterior del tractor, junto al motor. Cuando están engranadas, las dos varillas abren una derivación dentro de las transmisiones hidrostáticas, lo que permite empujar el tractor distancias cortas a mano. Consulte la sección Configuración para ver instrucciones adicionales.



- 2. Transmisión Tuff Torq® (si viene equipada)** - Las lengüetas de derivación de la transmisión (una para cada transmisión derecha e izquierda) se ubican en los costados del tractor, delante de los neumáticos traseros cerca del bastidor.



Cuando están enganchadas, las dos lengüetas abren una derivación dentro de las transmisiones hidrostáticas, lo que permite empujar el tractor a mano por distancias cortas. Consulte la sección Configuración para ver instrucciones adicionales.

H. PORTAVASOS

El portavasos está ubicado en la parte superior de la consola.

I. BANDEJA DE ALMACENAMIENTO

La bandeja de almacenamiento está ubicada en la parte posterior de la consola.

J. TAPÓN DEL DEPÓSITO DE COMBUSTIBLE

Gire el tapón de llenado al menos dos vueltas en el sentido contrario a las agujas del reloj y tire hacia arriba para extraerlo. El tapón del combustible está amarrado al tractor para impedir que se pierda. No intente retirar el tapón del tractor. Llène el depósito hasta 1/2 pulgada (12.7 mm) por debajo de la base del cuello de llenado para dejar un poco de espacio en el depósito para la expansión del combustible. No llene en exceso el depósito de combustible.

Empuje el tapón hacia abajo sobre el cuello de llenado del depósito de combustible y gírelo al menos dos clics en el sentido de las agujas del reloj para ajustarlo. Siempre vuelva a colocar el tapón de combustible bien ajustado en el depósito después de quitarlo.

⚠ ADVERTENCIA


Nunca llene el depósito de combustible si el motor está en funcionamiento. Si el motor está caliente por haber funcionado hasta hace poco, déjelo enfriar al menos cinco minutos antes de volver a cargar combustible. La gasolina es muy inflamable y podría salpicar el motor y causar un incendio.

K. LCD AVISADOR DE SERVICIO Y MEDIDOR HORARIO (SI ESTÁ EQUIPADO)

El LCD avisador de servicio le recuerda al operador los intervalos de mantenimiento para el cambio del aceite del motor, el servicio del filtro de aire, la baja presión del aceite del motor y poca batería.



Cuando se gira la llave fuera de la posición STOP (detención), pero no está en la posición de arranque, el LCD avisador de servicio y medidor horario mostrará brevemente la tensión de la batería, seguido de las horas acumuladas del tractor.

NOTA: cuando la llave de encendido está fuera de la posición STOP (detención),  el símbolo de globoide se enciende/parpadea para indicar que está registrando las horas de funcionamiento del tractor, independientemente de que el motor esté encendido o no.

Cambio de aceite

La pantalla LCD alternará las letras "CHG" (cambiar), seguidas de las letras "OIL" (aceite), seguidas de las letras "SOON" (pronto), y luego finalmente seguidas por el tiempo acumulado del medidor. "CHG/OIL/SOON/TIME" se alternarán en la pantalla durante 7 minutos después de que el medidor llegue a 50 horas. Este intervalo del avisador de servicio de aceite se producirá cada 50 horas. Antes de que finalice el intervalo, cambie el aceite del motor según se indica en este Manual del operador del motor.

Poco aceite

NOTA: la función de baja presión de aceite solo funciona si el motor tiene un interruptor de presión de aceite.

En la pantalla LCD aparecen alternadas las letras "LO" (nivel bajo) seguidas de las letras "OIL" (aceite), seguidas luego del tiempo acumulado del medidor indicarán que el tractor tiene poca presión de aceite. Esto suele suceder cuando se enciende un motor. El indicador permanecerá activo hasta que el motor genere suficiente presión después de comenzar. Si el indicador permanece encendido cuando el motor está a máxima velocidad y después de que hayan transcurrido unos pocos minutos de funcionamiento, detenga el tractor de inmediato y controle el nivel de aceite del motor según las instrucciones de este Manual del operador del motor. Si el nivel de aceite es correcto y el indicador sigue encendido, comuníquese con un distribuidor de servicio autorizado.

Poca batería

Al arrancar, se visualiza fugazmente el voltaje de la batería y luego cambia a horas acumuladas. Aparecen las letras "LO" (nivel bajo), seguidas de las letras "BATT" (batería), seguidas luego del tiempo acumulado del medidor. "LO/BATT/TIME" se muestra en la pantalla LCD cuando la tensión cae por debajo de 11.5 voltios. Cuando esto ocurre, significa que se debe cargar la batería o que el sistema de carga del motor no genera suficiente amperaje. Cargue la batería como se indica en la sección Carga de la batería de este manual o haga controlar el sistema de carga por su distribuidor de servicio local.

Mantenimiento del filtro de aire

En la pantalla LCD aparecen las letras "CLN" (limpiar), seguidas de las letras "AIR" (aire), seguidas por "FILT" (filtro), seguidas luego del tiempo acumulado del medidor. "CLN/AIR/FILT/TIME" se alternarán en la pantalla durante 7 minutos después de que el medidor llegue a 25 horas. Este intervalo del avisador de servicio del filtro de aire será cada 25 horas. En intervalos comunes con el servicio del aceite, aparece el mensaje del aceite primero seguido primero por el mensaje del filtro de aire.

L. PALANCA DE CONTROL DEL ACELERADOR/ CEBADOR O CONTROL DEL ACELERADOR O CONTROL ELECTRÓNICO DEL REGULADOR

NOTA: cuando se lo coloca en determinada posición, se mantiene una velocidad de motor uniforme.

Consulte la Fig. 18 para identificar los controles de su tractor:

- 1. Palanca de control del acelerador cebador (L1) (si se incluye)** - Empuje la palanca de control del acelerador/ cebador hacia adelante para aumentar la velocidad del motor. El tractor está diseñado para que funcione con la palanca de control del acelerador/cebador en aceleración máxima FAST (rápido) cuando se conduce el tractor y se engancha la plataforma de la cortadora de césped. Tire de la palanca de control del acelerador/cebador hacia atrás para reducir la velocidad del motor. Cuando arranque el motor, empuje la palanca de control totalmente hacia

adelante a la posición CHOKE (cebador). Después de arrancar y calentar el motor, mueva la palanca de control hacia atrás hasta que sienta que pasa el bloqueador del cebador. El objetivo del acelerador no es controlar la velocidad de la unidad, sino que debe permanecer a alta velocidad mientras se operan las cuchillas.

- 2. Control del acelerador (L2) (si se incluye)** - Empuje la palanca de control del acelerador hacia adelante para aumentar la velocidad del motor. El tractor está diseñado para que funcione con la palanca de control del acelerador en aceleración máxima FAST (rápido) cuando se conduce el tractor y se engancha la plataforma del tractor. Tire de la palanca de control del acelerador hacia atrás para reducir la velocidad del motor.

NOTA: el control separado del cebador debe estar en la posición de cebado máxima al arrancar el motor. Si el motor está caliente, tal vez no sea necesario cebador el motor.

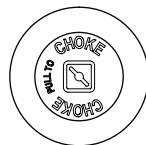
- 3. Control electrónico del regulador (L3) (si se incluye)** - Cuando se lo coloca en determinada posición, se mantiene una velocidad de motor uniforme. Para aumentar las revoluciones por minuto (RPM) del motor, gire la perilla en el sentido de las agujas del reloj.

Luz Indicadora Multifunción (si se incluye) - La Luz Indicadora Multifunción (MIL) proporciona información de diagnóstico sobre el motor. Si la MIL se enciende y/o parpadea consulte el manual de servicio o comuníquese con su centro de servicio.

NOTA: el cebador se controla automáticamente en los modelos con control electrónico del regulador.

M. CONTROL DEL CEBADOR (SI ESTÁ EQUIPADO)

El control del cebador determina la posición del cebador del motor. Tire de la perilla hacia afuera para cebador el motor; empuje la perilla hacia adentro para abrir el cebador.



N. HERRAMIENTA PARA USOS MÚLTIPLES (SÓLO MODELOS DE ELEVACIÓN DE LA CUBIERTA DE PIES)

La herramienta para usos múltiples se encuentra en la consola izquierda para los modelos con el pasador magnético de 15 posiciones y en el frente de la consola derecha para todos los demás modelos. La herramienta para usos múltiples se puede usar como bloqueo de elevación de la plataforma, para extraer el perno de la bandeja, ajustar la altura de las palancas de control de la transmisión de barras de seguridad, ajustar la detención de las palancas de control de la transmisión y se puede usar como herramienta de extracción con la llave de cubo de 1/2 pulgadas. Consulte la sección Cuidado del producto para obtener más información sobre el uso de la herramienta para usos múltiples.

O. ESCALÓN LATERAL (SI ESTÁ EQUIPADO)

En algunos modelos puede incluirse un escalón lateral para facilitar la subida y bajada de la cortadora de césped. Si está equipado, el escalón lateral está fijado al marco del tractor a la izquierda del panel del piso.

P. FAROS DELANTEROS (SI ESTÁN EQUIPADOS)

Los faros delanteros se encuentran en el frente del bastidor. Los faros delanteros se encienden (ON) cada vez que se gira la llave de encendido sacándola de la posición STOP (detención) y OFF cuando la llave de encendido se mueva a la posición STOP (detención).

Q. LUCES LATERALES (SI ESTÁN EQUIPADAS)

Algunos modelos pueden estar equipados con luces laterales, a la izquierda y a la derecha del faro. Las luces laterales se encienden (ON) cada vez que se gira la llave de encendido sacándola de la posición STOP (detención) y se apagan (OFF) cuando la llave de encendido se mueva a la posición STOP (detención).

PALANCA DE AJUSTE DEL ASIENTO (NO SE MUESTRA/SI ESTÁ EQUIPADO)

La palanca de ajuste del asiento está ubicada debajo del asiento. La palanca de ajuste del asiento permite el ajuste del asiento del operador hacia adelante o hacia atrás. Consulte la sección Configuración para ver instrucciones sobre el ajuste de la posición del asiento.

NOTA: si su tractor no cuenta con una palanca de ajuste del asiento, se puede ajustar usando las perillas de la parte inferior del asiento. Consulte la sección Configuración para ver instrucciones sobre el ajuste del asiento.

FUNCIONAMIENTO

Antes de hacer funcionar el tractor

- Antes de la operación, consulte la tabla del Cronograma de mantenimiento que está ubicada en este manual para los artículos de servicio programado habitualmente.
- Se certifica que este motor funciona únicamente con gasolina normal sin plomo, nueva y limpia. Llene únicamente con gasolina sin plomo, nueva y limpia, en un surtidor que indique un octanaje igual a 87 o más.
- No use gasolina que haya quedado de la temporada anterior, para minimizar la formación de depósitos de goma en el sistema de combustible.
- El gasohol (hasta 10% de alcohol etílico, 90% de gasolina sin plomo por volumen) es un combustible aprobado. No se aprueba el uso de otras mezclas de gasolina/alcohol.
- El éter metílico terciario-butílico (MTBE) y las mezclas de gasolina sin plomo (hasta un máximo de 15% de MTBE por volumen) son combustibles aprobados. No se aprueba el uso de otras mezclas de gasolina/éter.

Sistema de interbloqueo de seguridad

ADVERTENCIA

NO opere el tractor si el sistema de encclavamiento de seguridad funciona mal. Este sistema fue diseñado para brindarle seguridad y protección.

Este tractor está equipado con un sistema de interbloqueo de seguridad para protección del operador. Si el sistema de interbloqueo funciona mal, no se debe hacer funcionar el tractor. Comuníquese con un distribuidor de servicio autorizado.

- El sistema de interbloqueo de seguridad impide que el motor arranque o se encienda a menos que esté accionado el freno de mano y la palanca de toma de fuerza (PTO) esté en posición DESACTIVADA (OFF).
- Si el operador abandona su asiento antes de poner el freno de mano, el motor se APAGARÁ automáticamente.
- El motor se apagará automáticamente si el operador abandona el asiento del tractor con el interruptor de la palanca de la toma de fuerza (PTO) en la posición de activación (ON), independientemente de si el freno de mano está puesto o no.

Control de los circuitos de interbloqueo de seguridad

Controle periódicamente los circuitos de interbloqueo de seguridad para estar seguro de que funcionan adecuadamente. Si algún circuito de seguridad no funciona según el diseño, póngase en contacto con el distribuidor de servicio para que inspeccione el tractor. NO use el tractor si algún circuito de seguridad no está funcionando adecuadamente. Para controlar los circuitos de seguridad proceda de la siguiente manera:

1. Tire de la PTO hacia arriba, hasta la posición de activación (ON). Gire el interruptor de encendido a la posición START (arranque) momentáneamente; el motor no debería intentar arrancar.
2. Con el tractor en marcha, mueva las dos palancas de control de la transmisión de barras de seguridad totalmente hacia adentro hasta la posición de punto muerto; luego levántelas desde el asiento del operador. El motor debe dejar de funcionar.
3. Con las dos palancas de control de la transmisión de barras de seguridad totalmente hacia afuera en la posición de freno de mano aplicado, active la PTO. Levántelas desde el asiento del operador; el motor se debe detener.

Arranque del motor

PRECAUCIÓN

El operador debe estar sentado en el asiento del tractor al arrancar el motor.

NOTA: consulte L. Palanca de control del acelerador/cebador o control del acelerador o control electrónico del regulador en la página 52 para identificar los controles de su tractor.

1. El operador debe estar sentado en el asiento del tractor con las palancas de control de la transmisión de barras de seguridad completamente hacia afuera en la posición de estacionamiento (Fig. 19). Consulte la sección Practique el modo de operación con el tractor (uso inicial) para obtener más instrucciones.

Palancas de control colocadas hacia afuera y en la posición de freno de mano



Fig. 19

2. Asegúrese de que la toma de fuerza esté en la posición OFF (apagado). Si está equipado, mueva el control del cebador o el control del acelerador/cebador a la posición de cebado máxima. Mueva el control del acelerador a distancia media entre las posiciones velocidad lenta y velocidad rápida en modelos con control de cebador independiente.

NOTA: si el motor está caliente, tal vez no sea necesario cebar el motor.

3. Siempre comience con la llave en la posición OFF (Apagado), gire la llave en sentido horario hasta la posición RUN (Funcionamiento), haga una pausa de 2 segundos y luego continúe girando la llave hasta la posición START (Arranque). Volverá a la posición RUN (funcionamiento).

⚠ PRECAUCIÓN

NO mantenga la llave en la posición START (arranque) durante más de diez segundos por vez. Si lo hace, puede ocasionar daños al arrancador eléctrico del motor.

4. Cuando se calienta el motor, tire gradualmente de la palanca de control del acelerador/cebador hacia atrás pasando la posición de detención del cebador o, en modelos con un cebador separado, desenganche lentamente el cebador. No use la posición del cebador para enriquecer la mezcla de combustible, a menos que sea necesario para arrancar el motor.
5. Deje que el motor funcione unos cuantos minutos a una aceleración intermedia antes de someterlo a la carga.
6. Observe el medidor horario/panel indicador. Si se enciende la luz del indicador de batería o de presión de aceite, detenga el motor inmediatamente. Haga que su distribuidor de servicio autorizado inspeccione el tractor.

Arranque del motor en clima frío

Al arrancar el motor a temperaturas cercanas o inferiores al punto de congelamiento, asegúrese de que se use aceite de motor de viscosidad correcta y que la batería tenga carga completa. Arranque del motor de la siguiente forma.

1. Asegúrese de que la batería se encuentre en buen estado. Una batería caliente tiene una capacidad de arranque mucho mayor que una batería fría.
2. Use combustible fresco para uso invernal. La gasolina para uso invernal tiene mayor volatilidad a los efectos de mejorar el arranque. No use gasolina que le haya quedado del verano.
3. Siga las instrucciones previas para Funcionamiento.

Usó los cables de arranque para encender el motor

⚠ ADVERTENCIA

Las baterías contienen ácido sulfúrico y producen gases explosivos. Asegúrese de que el área esté bien ventilada, use guantes y protectores de ojos y evite chispas o llamas cerca de la batería.

Si la carga de la batería no es suficiente para dar arranque al motor, vuelva a cargar la batería. Si no dispone de un cargador de batería y debe arrancar el tractor, puede ser necesario usar una batería de urgencia. Conecte la batería de urgencia de la siguiente forma:

1. Conecte el extremo de un cable al terminal positivo de la batería del tractor que no funciona; luego conecte el otro extremo de ese cable al terminal positivo de la batería de urgencia.
2. Conecte un extremo del otro cable al terminal negativo de la batería de urgencia; luego conecte el otro extremo de ese cable al marco del tractor que no funciona, a la mayor distancia posible de la batería.
3. Arranque el tractor que no funciona según las instrucciones de arranque normales indicadas más arriba; luego desconecte los cables de puente en orden exactamente inverso al de la conexión.
4. Haga controlar y reparar el sistema eléctrico del tractor lo más pronto que fuere posible, para eliminar la necesidad de usar cables de puente para arrancarlo.

Detención del motor

1. Desconecte la PTO.
2. Mueva las palancas de control de la transmisión de barras de seguridad del lado derecho e izquierdo completamente hacia afuera hasta la posición de freno de mano activado.
3. Mueva el control del acelerador (si está equipado) a distancia media entre las posiciones velocidad lenta y velocidad rápida.
4. Gire la llave a la posición STOP (detención) y quite la llave del módulo de encendido.

NOTA: siempre quite la llave del módulo de encendido para evitar el arranque accidental o la descarga de la batería si el equipo queda sin supervisión.

Practique el modo de operación con el tractor (uso inicial)

Operar un tractor con radio de giro cero no es lo mismo que operar un tractor convencional. Si bien precisamente un tractor con radio de giro cero es más maniobrable, es necesario practicar la operación de las palancas de control de la transmisión de barras de seguridad para acostumbrarse a las mismas.

Se recomienda enfáticamente que encuentre un "área de práctica" de superficie razonable, nivelada y abierta, en la cual no haya obstrucciones, peatones ni mascotas. Debe practicar la operación del tractor durante 30 minutos por lo menos.

Lleve (o haga que alguien lleve) el tractor al área de práctica con cuidado. Cuando esté practicando, la PTO no debe estar activada. Mientras practica, haga funcionar el tractor a aproximadamente 1/2-3/4 de aceleración y a menos de la velocidad máxima tanto en marcha adelante como en marcha atrás.

Ejercite cuidadosamente las maniobras con el tractor, usando las instrucciones de la sección siguiente Conducción del tractor. Practique hasta que se sienta confiado de poder manejar el tractor con seguridad.

CONDUCCIÓN DEL TRACTOR

⚠ ADVERTENCIA

Todos los movimientos de las palancas de control de la transmisión deben ser lentos y suaves. El movimiento abrupto de las palancas de control puede afectar la estabilidad del tractor y podría hacer que el tractor vuelque, con el resultado de lesiones graves o incluso la muerte del operador.

1. Ajuste el asiento del operador a la posición más cómoda que le permita operar los controles. Consulte Ajuste del asiento en la sección Configuración.
2. Mueva las palancas de control de transmisión de barras de seguridad del lado derecho y del lado izquierdo hacia adentro, en punto muerto, lo cual desactiva también el freno de mano (Fig. 20).

Palancas de control colocadas hacia adentro y en posición de punto muerto

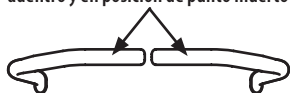


Fig. 20

NOTA: las palancas de control de la transmisión de barras de seguridad se deben mover totalmente hacia adentro antes de empujar hacia adelante o hacia atrás a fin de asegurarse de que los frenos estén totalmente liberados. Si estaciona el tractor en un terreno desparejo o en una colina, esto puede hacer que los frenos se agarren y no se suelten por completo. En este caso, el tractor no se desplazará cuando se muevan las palancas de control de la transmisión de barras de seguridad.

Si esto ocurre, mueva la palanca de control de la transmisión de barras de seguridad en la dirección opuesta levemente para quitar la carga de los frenos y permitir que estos se liberen completamente.

NOTA: si las palancas de control de la transmisión de barras de seguridad no están niveladas en la posición de punto muerto, consulte Configuración, página 43 para obtener instrucciones sobre la forma de ajustar las palancas de control de la transmisión de barras de seguridad para que queden parejas.

3. Mueva el acelerador (si está equipado) a la posición de aceleración máxima.

⚠ ADVERTENCIA

Siempre sujete las palancas de control con firmeza. NO suelte las palancas de control para desplazarse más despacio o para detener el tractor; lleve las palancas a la posición de punto muerto con las manos.

4. Para conducir el tractor, tome firmemente las palancas de control de la transmisión de barras de seguridad respectivas con las manos derecha e izquierda y proceda con Conducción del tractor hacia adelante, según las instrucciones de la siguiente sección.

Conducción del tractor hacia adelante

1. Mueva las palancas de control de la transmisión de barras de seguridad lenta y suavemente hacia adelante. El tractor comenzará a desplazarse hacia adelante (Fig. 21).

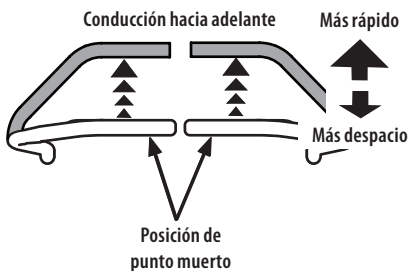


Fig. 21

2. A medida que las palancas de control de la transmisión de barras de seguridad se empujan más hacia adelante, aumenta la velocidad del tractor.
3. Para que el tractor se desplace más lentamente, mueva la palanca de control de la transmisión hacia atrás hasta alcanzar la velocidad deseada, o coloque las palancas de control de la transmisión de barras de seguridad en la posición de punto muerto para detener el tractor.

Giro con el tractor en marcha adelante

⚠ ADVERTENCIA

Los giros bruscos pueden afectar el control del tractor. Conduzca SIEMPRE el tractor lentamente antes de realizar giros bruscos.

Para que el tractor gire mientras se desplaza hacia adelante, mueva las palancas de control de la transmisión de barras de seguridad según sea necesario para que una palanca de control de la transmisión quede más atrás que la otra. El tractor girará en la dirección de la palanca de control de la transmisión marcha atrás.

1. Para girar a la izquierda, mueva la palanca de control de la transmisión del lado izquierdo hacia atrás respecto de la palanca de control de la transmisión derecha (Fig. 22).

Giro a la izquierda hacia adelante

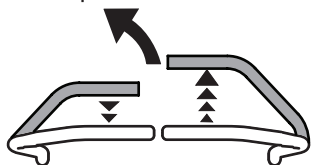


Fig. 22

2. Para girar a la derecha, mueva la palanca de control de la transmisión derecha hacia atrás respecto de la palanca izquierda (Fig. 23).

Giro a la derecha hacia adelante

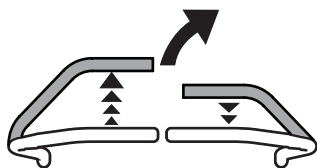


Fig. 23

3. Cuanto mayor sea la distancia entre las dos palancas, más cerrado será el giro que dará el tractor.
4. Para realizar un "giro de pivote", mueva la palanca de control de la transmisión del lado de giro a la posición de punto muerto, mientras mueve la otra palanca de control hacia adelante.

NOTA: los "giros de pivote" sobre el pasto aumentan significativamente el potencial de que se deteriore el césped.

Conducción del tractor en marcha atrás

⚠ ADVERTENCIA

Siempre mire hacia atrás y hacia abajo a ambos lados del tractor antes de desplazarse marcha atrás. Siempre mire hacia atrás cuando se desplaza en marcha atrás. No se recomienda cortar el césped en marcha atrás.

1. Mueva las dos palancas de control de la transmisión de barras de seguridad lenta y uniformemente hacia atrás. El tractor comenzará a moverse hacia atrás (Fig. 24).

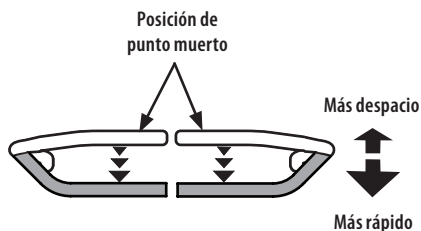


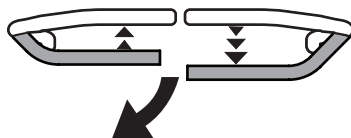
Fig. 24

2. A medida que las palancas de control de la transmisión de barras de seguridad se empujan más hacia atrás, aumenta la velocidad del tractor.
3. Para que el tractor se desplace más lentamente, mueva las palancas de control de la transmisión de barras de seguridad hacia adelante hasta alcanzar la velocidad deseada, o coloque las palancas de control de transmisión de barras de seguridad en la posición de punto muerto para detener el tractor.

Realizar un giro mientras se conduce marcha atrás

Para que el tractor gire mientras se desplaza hacia atrás, mueva las palancas de control de la transmisión de barras de seguridad según sea necesario para que una palanca de control de la transmisión quede más adelante que la otra. El tractor girará en la dirección de la palanca de control de la transmisión de barras de seguridad de marcha hacia adelante.

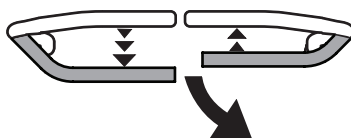
1. Para girar a la izquierda mientras se desplaza marcha atrás, mueva la palanca de control del lado izquierdo hacia adelante respecto de la palanca derecha (Fig. 25).



Giro a la izquierda hacia atrás

Fig. 25

2. Para girar a la derecha mientras se desplaza marcha atrás, mueva la palanca de control del lado derecho hacia adelante respecto de la palanca de control de la transmisión izquierda (Fig. 26).



Giro a la derecha hacia atrás

Fig. 26

NOTA: cuanto mayor sea la distancia entre las dos palancas de control de la transmisión de barras de seguridad, más cerrado será el giro que dará el tractor.

- Para realizar un "giro de pivote", mueva la palanca de control de la transmisión del lado de giro a la posición de punto muerto, mientras mueve la otra palanca de control de la transmisión hacia atrás.

NOTA: los "giros de pivote" sobre el pasto aumentan significativamente el potencial de que se deteriore el césped.

Giro de radio cero

- Detenga el movimiento del tractor hacia adelante o hacia atrás colocando las dos palancas de control de la transmisión de barras de seguridad en punto muerto.
- Para girar en el sentido de las agujas del reloj, mueva la palanca de control de la transmisión de la barra de seguridad izquierda hacia adelante mientras mueve simultáneamente la palanca de control de la transmisión de la barra de seguridad derecha hacia atrás (Fig. 27).

Giro de radio cero hacia la derecha

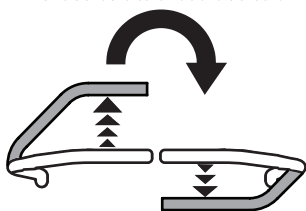


Fig. 27

- Para girar en sentido contrario a las agujas del reloj, mueva la palanca de control de la transmisión de la barra de seguridad derecha hacia adelante mientras mueve simultáneamente la palanca de control de la transmisión de la barra de seguridad izquierda hacia atrás (Fig. 28).

Giro de radio cero hacia la izquierda

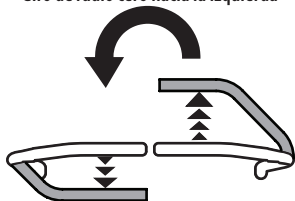



Fig. 28

Detención del tractor

- Mueva las dos palancas de control de la transmisión de barras de seguridad a la posición de punto muerto para detener el movimiento del tractor.
- Empuje la PTO hacia abajo, hasta la posición OFF (apagado).
- Use la perilla, la manija o el pasador de elevación de la plataforma para levantar la plataforma a su posición más alta.


- Si desea bajarse del tractor, mueva las palancas de control de la transmisión de barras de seguridad totalmente hacia afuera hasta la posición de punto muerto, lo cual también acciona el freno de mano, mueva el acelerador (si está equipado) en la posición intermedia entre la posición lenta y la rápida, gire la llave hasta la posición STOP (detención)  y retirela del módulo de encendido.

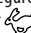
⚠ ADVERTENCIA

No abandone el asiento del tractor sin desenganchar la toma de fuerza (PTO) y sin colocar las palancas de control de la transmisión totalmente hacia afuera en la posición de freno de mano aplicado. Si deja el tractor sin vigilancia, gire la llave de contacto hasta la posición STOP (detención) y retírela.

CONEXIÓN DE LA TOMA DE FUERZA (PTO)

Alconectar la toma de fuerza (PTO) se suministra alimentación a la plataforma de corte o a otros accesorios (disponibles por separado). Para conectar la PTO:

- Mueva el acelerador (si está equipado) a la posición FAST  (detención) o gire la perilla de control electrónico del regulador (si está equipado) a la posición CUT (corte) o POWER CUT (corte de energía).
- Tire del interruptor de la PTO hacia arriba/afuera a la posición de activación (ON).

NOTA: al operar un tractor con acelerador, asegúrese de que el acelerador siempre esté en la posición FAST  (rápido). El funcionamiento con el acelerador a menos de máxima velocidad puede acortar la vida útil de la batería y producir un corte de mala calidad.

- Para desactivar la PTO, presione el interruptor de la PTO para abajo/adentro a la posición de desactivación (OFF).

CORTE DE CÉSPED

⚠ ADVERTENCIA

Para ayudar a evitar el contacto con las cuchillas o una lesión por algún objeto que sea arrojado, mantenga a las personas que lo observan, a los ayudantes, niños y mascotas alejados al menos 75 pies (23 metros) de la máquina mientras está en funcionamiento. Pare la máquina si alguien ingresa a la zona.

⚠ ADVERTENCIA

Asegúrese de que el área donde se va a cortar esté libre de desechos, ramitas, piedras, cables u otros objetos que puedan ser arrojados por las cuchillas rotativas.

NOTA: no enganche la plataforma de la cortadora cuando esté baja sobre el pasto. Se produce el desgaste prematuro y la posible falla de la correa en 'V' y del embrague de la PTO. Antes de activar la plataforma de corte, levante totalmente la plataforma o lleve la máquina a un área donde no haya césped.

- Corte de forma transversal a la pendiente, no hacia arriba ni hacia abajo. Si corta el césped en pendiente, comience por la base y desplácese hacia arriba para asegurar que siempre se gire cuesta arriba.
 - No corte a alta velocidad absoluta, especialmente si tiene instalado un kit de abono o un colector de césped.
 - No corte el césped demasiado corto. El césped corto fomenta el crecimiento de maleza y se pone amarillo rápidamente cuando escasea la lluvia.
 - Siempre opere el tractor con el acelerador (si está equipado) en la posición FAST (rápido) o la perilla de control electrónico del regulador (si está equipada) en la posición CUT (corte) o POWER CUT (corte de energía) mientras corte el césped.
 - Al realizar la primera pasada elija un punto del lado opuesto del área a cortar. Siga el punto para mantener una línea recta.
 - Active la PTO y mueva el control del acelerador o el control del acelerador/cebador a la posición FAST (rápido) o la perilla de control electrónico del regulador a la posición CUT (corte) o POWER CUT (corte de energía).
 - Baje la plataforma de corte al ajuste de altura deseado.
 - Para obtener los mejores resultados, se recomienda realizar las dos primeras vueltas de corte con la descarga hacia el centro. Después de las dos primeras pasadas, cambie la dirección para arrojar la descarga hacia afuera, para equilibrar el corte. Esto otorgará un mejor aspecto al césped.
 - Empuje las palancas de control de la transmisión de la barra de seguridad derecha e izquierda lenta y uniformemente hacia adelante para que el tractor avance hacia adelante, y mantenga la orientación del tractor en línea recta hacia el punto de alineación.
- NOTA:** la velocidad del tractor afecta la calidad del corte que realiza la cortadora. Si realiza el corte a máxima velocidad la calidad se ve afectada negativamente. Controle la velocidad absoluta con las palancas de control de la transmisión de barras de seguridad.
- Su tractor fue diseñado para cortar césped residencial normal, con una altura no mayor de 10 pulgadas (25 cm). No intente cortar césped demasiado crecido, seco (como un pastizal) ni pilas de hojas secas. El césped o las hojas que estén secos pueden entrar en contacto con el escape del motor y/o acumularse en el tractor.
 - NO intente cortar malezas frondosas o césped sumamente alto. El tractor fue diseñado para cortar el césped, NO para podar malezas.
 - Mantenga las cuchillas afiladas y cámbielas cuando se gasten.
 - Cuando se acerque al otro extremo de la franja, reduzca la velocidad o deténgase antes de girar. Se recomienda realizar un giro en U a menos que sea necesario realizar un giro de radio cero.
 - Alinee la cortadora de césped con un borde de la franja cortada y superponga la pasada aproximadamente 3 pulgadas (7.6 cm).
 - Oriente el tractor en cada franja subsiguiente de modo que se alinee con la franja ya cortada.
 - Para evitar la formación de surcos o ranuras en el césped, en lo posible varíe la dirección de las franjas de corte aproximadamente 45° para el siguiente corte y en cada corte subsiguiente.
- Siempre que detenga el tractor por cualquier razón en un área de césped, haga lo siguiente:
- Mueva las palancas de control de la transmisión de barras de seguridad del lado derecho e izquierdo completamente hacia afuera hasta la posición de freno de mano activado.
 - Apague el motor y retire la llave.
 - Eso permitirá reducir al mínimo la posibilidad de que su césped resulte "quemado" por el escape caliente del motor en funcionamiento.

CUIDADO DEL PRODUCTO

CRONOGRAMA DE MANTENIMIENTO

⚠ ADVERTENCIA

Antes de realizar cualquier tipo de mantenimiento o servicio, desactive todos los controles y detenga el motor. Espere a que se detengan completamente todas las piezas móviles. Desconecte los cables de las bujías y el cable negativo de la batería para evitar un arranque involuntario. Utilice siempre anteojos de seguridad durante el funcionamiento o mientras ajusta o repara este equipo.

Siga el cronograma de mantenimiento que se presenta a continuación. En esta tabla sólo describen pautas de servicio.

Consulte el Manual del operador del motor para obtener información sobre las tareas de mantenimiento del motor que se enumeran en la tabla a continuación.

NOTA: el programa de mantenimiento continua en la pagina siguiente.

NOTA: por favor, póngase en contacto con un distribuidor local de servicio autorizado para comprar un horómetro en el mercado de repuestos, si así lo desea.

	Antes de cada uso	Después de las primeras 5 horas	Cada 10 horas	Cada 25 horas	Cada 50 horas	Cada 100 horas	Cada 200 horas	Antes de almacenar	Consulte el manual del motor
Verifique/limpie los filtros de admisión y los ventiladores de refrigeración #	✓							✓	
Verifique/limpie el colector de escape, el tubo del silenciador y los protectores del silenciador #	✓							✓	
Verifique/limpie la parte de arriba y de abajo de la plataforma y debajo y alrededor de las cubiertas del husillo y del área de la correa #	✓							✓	
Verifique/limpie alrededor de los fusibles, el cableado y los arneses de cables #	✓							✓	
Verifique/limpie alrededor de la transmisión, el eje y los ventiladores #	✓							✓	
Revise/agregar/cambie el líquido de la transmisión según sea necesario							✓		
Revise si el filtro de aire está sucio, flojo o tiene piezas dañadas	✓								
Controle el nivel de aceite del motor	✓								
Limpie los terminales de la batería			✓					✓	
Engrase todos los puntos de lubricación			✓					✓	
Revise el filtro de admisión del motor/ limpie si corresponde			✓					✓	
Revise las cuchillas/afile o reemplace si corresponde			✓					✓	
Revise la presión de los neumáticos			✓					✓	
Revise/limpie la parte de abajo de la plataforma	✓		✓						
Revise el sistema de interbloqueo de seguridad			✓					✓	
Revise el tiempo de parada de las cuchillas de la cortadora de césped			✓					✓	
Inspeccione y lubrique las ruedas de la plataforma				✓				✓	

CUIDADO DEL PRODUCTO

	Antes de cada uso	Después de las primeras 5 horas	Cada 10 horas	Cada 25 horas	Cada 50 horas	Cada 100 horas	Cada 200 horas	Antes de almacenar	Consulte el manual del motor
Inspeccione y lubrique la junta de dirección				✓					
Revise el nivel/la inclinación de la plataforma				✓				✓	
Revise las correas y poleas viendo si están dañadas/gastadas					✓				
Compruebe que todos los herrajes están en su lugar y asegurados						✓			
Compruebe el par de ajuste del perno de montaje del motor (Ajuste hasta 325-450 pulgadas-libras (37-50 N-m))		✓			✓			✓	✓
Compruebe el par de ajuste de la tuerca de montaje de las cuchillas (Ajuste hasta 70-90 pies-libras (95-122 N-m))		✓			✓			✓	
Controle el estado y la separación de la bujía de encendido						✓		✓	✓
Cambio del aceite de asentamiento del motor		✓							✓
Cambie el aceite del motor					✓			✓	✓
Controle el sistema de combustible (circuitos, depósito, tapón, accesorios)		✓			✓			✓	✓
Controle el estado de la bujía de encendido (Solo 547 cc)				✓					
Reemplace la bujía de encendido (Solo 547 cc)						✓			
Controle el dispositivo amortiguador de chispas		✓			✓			✓	✓
Reemplace el filtro de aceite					✓			✓	✓
Limpie o cambie el filtro de aire					✓				✓
Cambie el filtro de aire (Solo 547 cc) #**						✓			
Reemplace el filtro de combustible					✓				✓
Reemplace el filtro de combustible (Solo 547 cc)						✓			
Haga revisar y ajustar la holgura de la válvula*									✓

* -- Solicite a un distribuidor de servicio autorizado que realice este servicio.

-- Realice esta acción con mayor frecuencia en condiciones de sequía y/o cuando haga abono.

** -- Realcelo con mayor frecuencia si se opera bajo carga pesada o en temperatura ambiente alta.

CUIDADO DEL PRODUCTO

NOTA: este manual del operador corresponde a varios modelos. Las características del tractor pueden variar según los modelos. No todas las características que se incluyen en este manual se aplican a todos los modelos de tractor y la máquina que se ilustra aquí puede diferir de la suya.

CUIDADO DEL TRACTOR POSTERIOR AL FUNCIONAMIENTO

Después de cada vez que se usa el tractor, a fin de asegurar condiciones seguras de funcionamiento, consulte la tabla del Cronograma de mantenimiento en este manual para una atención adecuada del tractor.

⚠ ADVERTENCIA

Si no se siguen estas recomendaciones, usted u otras personas pueden sufrir lesiones graves, o pueden producirse daños en el tractor.

LIMPIEZA DE LA PARTE INFERIOR DE LA PLATAFORMA

Sistema de lavado de plataforma (si está equipado)

La plataforma de su tractor puede estar equipada con un puerto de agua sobre su superficie como parte del sistema de lavado de la plataforma.

Utilice el sistema Deck Wash System (Sistema de lavado de la plataforma) para lavar la parte inferior de la plataforma y quitar los restos de césped recortado e impedir la acumulación de sustancias químicas corrosivas. Realice los siguientes pasos DESPUÉS DE CADA CORTE DE CÉSPED:

1. Una el adaptador del pico a una manguera de jardín estándar conectada al suministro de agua.
2. Mueva el tractor a un lugar dentro del alcance de la manguera donde se puedan desechar los recortes de césped húmedos. Desconecte la toma de fuerza (PTO), aplique el freno de mano y detenga el motor.
3. Tire del collarín de ajuste (a) del adaptador del pico (b) hacia atrás y empuje el adaptador del pico sobre el pico de lavado de la plataforma (c). Suelte el collarín de ajuste para trabar el adaptador del pico en el pico de lavado de la plataforma (Fig. 29).

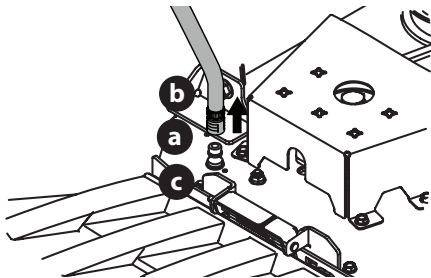


Fig. 29

4. Abra el suministro de agua.
5. Desde el asiento del operador del tractor, encienda el motor y enganche la toma de fuerza (PTO). Deje funcionar según sea necesario. Desactive la toma de fuerza (PTO) y detenga el motor.
6. Cierre el suministro de agua.
7. Tire del collarín de ajuste del adaptador del pico hacia atrás para desconectar el adaptador del pico del pico de lavado de la plataforma.

LIMPIEZA DEL TRACTOR

⚠ ADVERTENCIA

Si el tractor ha estado en funcionamiento recientemente, el motor, el silenciador y las superficies metálicas circundantes estarán muy calientes y pueden causar quemaduras en la piel. Deje que el motor se enfríe durante al menos cinco minutos. Tenga precaución para evitar quemaduras.

El tractor se debe limpiar después de cada uso y bajo ciertas condiciones; es decir, en condiciones secas y/o cuando se haga abono, puede ser necesario realizar limpiezas adicionales.

Una de las mejores maneras de mantener el funcionamiento eficiente de su tractor y reducir el riesgo de incendio es eliminar regularmente la acumulación de desechos del tractor. Siga las recomendaciones a continuación y contacte a su distribuidor autorizado si tiene alguna pregunta.

- Deje que la máquina se enfríe al menos cinco minutos en un área abierta antes de limpiarla.

NOTA: no se recomienda el uso de una lavadora de presión ni de una manguera de jardín para limpiar el tractor, excepto para limpiar la parte inferior de la plataforma. Puede dañar los componentes eléctricos, los husillos, las poleas, los rodamientos o el motor. El uso de agua acortará la vida útil de la máquina y reducirá su capacidad de servicio.

- Mantenga ambos lados de las ranuras de enfriamiento de la transmisión, el colector de escape, alrededor de los fusibles, todo el cableado y los arneses de cables, el tubo del silenciador, el protector del silenciador, los filtros de admisión del motor y las aletas de refrigeración, etc. libres de residuos de pasto y hojas (Fig. 30).

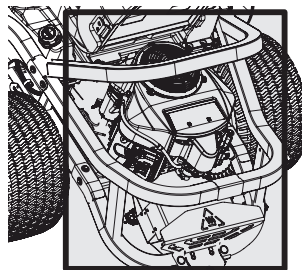


Fig. 30

CUIDADO DEL PRODUCTO

- Limpie la parte superior de la plataforma de corte, debajo de las cubiertas del husillo y del área de la correa (Fig. 31).

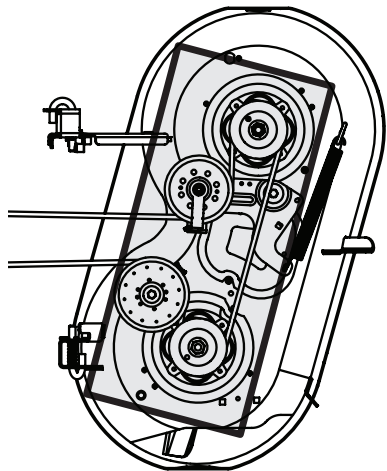


Fig. 31

- Limpie alrededor y cerca del área de la transmisión, del eje y del ventilador (Fig. 32).



Fig. 32

- Se pueden acumular residuos en cualquier parte del tractor, especialmente en superficies horizontales. Puede ser necesario realizar una limpieza adicional cuando corte césped en condiciones secas o cuando haga abono.
- Las fugas y los derrames de combustible o de aceite y la lubricación excesiva también pueden convertirse en lugares de acumulación de residuos. La reparación de las fugas y la limpieza inmediata de los derrames de aceite o de combustible pueden ayudar a reducir los riesgos de incendio.
- Además de limpiar el tractor antes de utilizarlo y antes de guardarlo, no intente cortar césped demasiado crecido (de 10 pulgadas (25.4 cm) o más de altura), seco (como un pastizal) ni pilas de hojas secas. El césped o las hojas secas pueden entrar en contacto con el escape del motor y/o acumularse en la plataforma de corte presentando un potencial peligro de incendio.

ALMACENAJE DEL TRACTOR

- Deje que la máquina se enfríe en un lugar abierto al menos cinco minutos antes de almacenarla.
- No estacione el tractor cerca de cualquier material inflamable (madera, ropa o productos químicos) o de llamas abiertas o cualquier otra fuente de ignición (hornos, calentadores de agua u otros tipos de calefactores).
- Quite todos los materiales combustibles del tractor antes de guardarlo. Vacíe las cajas de carga y los colectores o contenedores de césped.
- Si el tractor está equipado con una válvula de corte de combustible, interrumpa siempre el flujo de combustible cuando almacene o transporte el tractor.
- Verifique el sistema de combustible (circuitos, el depósito, el tapón y los accesorios) de acuerdo con el cuadro de mantenimiento para ver si hay grietas o pérdidas. Repárelos y límpielos según sea necesario.

MANTENIMIENTO

Extracción del panel del piso (si está equipado)

⚠ ADVERTENCIA

No opere el tractor si se extrajo el panel del piso.

En algunos modelos se puede extraer el panel del piso para el mantenimiento, las reparaciones y la limpieza. Para extraer el panel del piso:

1. Con una herramienta para usos múltiples (si está equipada) o una llave de cubo de 1/2 pulgada, extraiga el tornillo de cabeza hexagonal que sujeta el panel del piso en su lugar (1 en la Fig. 33).

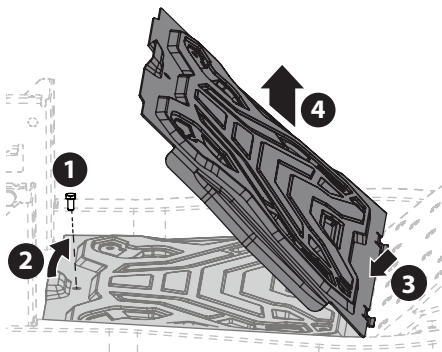


Fig. 33

2. Levante con cuidado la parte trasera del panel del piso (2 en la Fig. 33).
3. Para liberar el frente del panel del piso, deslícelo hacia atrás (3 en la Fig. 33).
4. Levántelo para separarlo del tractor (4 en la Fig. 33).

CUIDADO DEL PRODUCTO

- Para colocar el panel del piso nuevamente en el tractor, vuelva a colocarlo con atención en su lugar y vuelva a colocar el tornillo de cabeza hexagonal que se extrajo en el paso 1. Ajuste hasta 108-132 pulgadas-libras (12-15 N-m).

Motor

⚠ ADVERTENCIA

Deje que la máquina se enfríe en un lugar abierto al menos cinco minutos antes de almacenarla o de volver a cargarle combustible.

Consulte las instrucciones y procedimientos de mantenimiento del motor en el Manual del operador del motor.

NOTA: el mantenimiento, la reparación o el reemplazo de los dispositivos y de los sistemas de control de emisiones que se estén realizando por cuenta del propietario pueden ser llevados a cabo por cualquier individuo o establecimiento especializados en reparación de motores. Los arreglos en garantía deben ser realizados por distribuidor autorizado.

Cambio de aceite del motor

MOTORES DE UN SOLO CILINDRO (SI ESTÁ EQUIPADO)

⚠ ADVERTENCIA

Si el tractor ha estado en funcionamiento recientemente, el motor, el silenciador y las superficies metálicas circundantes estarán muy calientes y pueden causar quemaduras en la piel. Deje que el motor se enfríe durante al menos cinco minutos. Tenga precaución para evitar quemaduras.

NOTA: el filtro de aceite se debe cambiar en cada intervalo de cambio de aceite.

Para realizar el cambio de aceite, proceda de la siguiente manera:

- Haga funcionar el motor por un período corto para que el aceite del motor se caliente. El aceite fluirá mejor y limpiará las impurezas. Tenga cuidado y evite quemarse con el aceite caliente.
- Ubique el orificio de drenaje de aceite a uno de los lados del motor.
- Para recoger el aceite usado, coloque un recipiente adecuado para recolectar el aceite, con al menos una capacidad de 2.5 cuartos de galón (2.36 litros), debajo de la abertura del tubo de drenaje de aceite. Retire el tapón de llenado de aceite/la varilla de nivel de aceite del tubo de llenado.
- Abra la tapita protectora del extremo de la válvula de drenaje para visualizar el orificio de drenaje (Fig. 34).

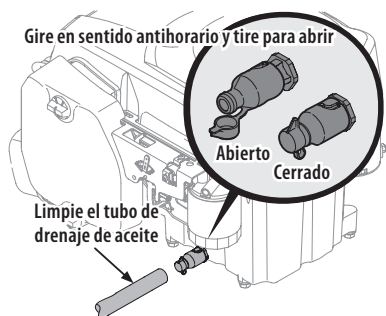


Fig. 34

- Presione el tubo de drenaje de aceite (que acompaña este manual) sobre el orificio de drenaje. Coloque el extremo libre de la manguera en un recipiente de recolección de aceite adecuado con una capacidad de por lo menos 2.5 cuartos de galón (2.36 litros) para recoger el aceite usado.
- El motor está equipado con un orificio de drenaje de girar y tirar. Gire la válvula de drenaje de aceite 1/4 de vuelta hacia la izquierda, luego tire hacia afuera para comenzar a drenar el aceite. Cuando haya terminado de drenar el aceite, empuje el extremo de la válvula de drenaje de aceite hacia adentro y gírela 1/4 de vuelta en sentido de las agujas del reloj para cerrar el orificio de drenaje de aceite. Vuelva a colocar la tapita del extremo de la válvula para evitar que entren residuos en el orificio de drenaje.
- Vuelva a colocar el filtro de aceite y cargue el motor con aceite nuevo según las instrucciones del Manual del operador del motor.
- Reinstale el tapón de llenado de aceite/la varilla de nivel de aceite.

NOTA: coloque una toalla absorbente debajo del filtro de aceite para mantener el aceite fuera de la polea del motor.

NOTA: respete las leyes y reglamentaciones sobre la manera correcta de desechar gasolina, aceite, etc. para proteger el medio ambiente.

NOTA: el mantenimiento, la reparación o el reemplazo de los dispositivos y los sistemas del control de emisiones que se hagan por cuenta del propietario, pueden ser realizados por cualquier establecimiento o individuo especializado en reparaciones de motores. Los arreglos en garantía deben ser realizados por un distribuidor autorizado.

MOTORES DE DOS CILINDROS (SI ESTÁ EQUIPADO)

⚠ ADVERTENCIA

Si el tractor ha estado en funcionamiento recientemente, el motor, el silenciador y las superficies metálicas circundantes estarán muy calientes y pueden causar quemaduras en la piel. Deje que el motor se enfríe durante al menos cinco minutos. Tenga precaución para evitar quemaduras.

NOTA: el filtro de aceite se debe cambiar en cada intervalo de cambio de aceite.

Para realizar el cambio de aceite, proceda de la siguiente manera:

1. Ubique la manguera de drenaje de aceite (a) en el costado del motor (Fig. 35).
2. Para recoger el aceite usado, coloque un recipiente adecuado para recolectar el aceite, con al menos una capacidad de 2.5 cuartos (2.37 litros), debajo de la abertura del tubo de drenaje de aceite. Retire el tapón de llenado de aceite/la varilla de nivel de aceite (b) del tubo de llenado (Fig. 35).
3. Mientras sostiene el extremo libre de la manguera de drenaje de aceite sobre el recipiente de recolección de aceite, desenrosque el tapón con cabeza cuadrada de la manguera (c) del extremo de la manguera de drenaje de aceite (Fig. 35). Drene el aceite del motor dentro del recipiente recolector.

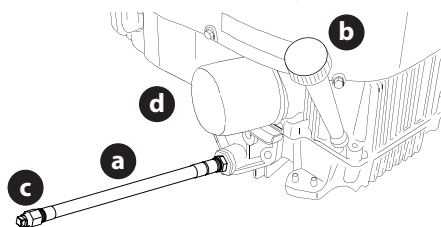


Fig. 35

4. Una vez que haya drenado el aceite, limpie el aceite residual de la manguera de drenaje de aceite. Enrosque el tapón con cabeza cuadrada de la manguera en el accesorio de la manguera de drenaje de aceite, y ajuste dicho tapón hasta 16 pies-libras (22 N-m).
5. Extraiga el filtro de aceite (d) y drene en el recipiente recolector (Fig. 35).
6. Vuelva a colocar el filtro de aceite (d) y cargue el motor con aceite nuevo según las instrucciones del Manual del operador del motor (Fig. 35).

NOTA: coloque una toalla absorbente debajo del filtro de aceite para mantener el aceite fuera del embrague.

NOTA: respete las normas y reglamentaciones sobre la manera correcta de desechar gasolina, aceite, etc. para proteger el medio ambiente.

NOTA: el mantenimiento, la reparación o el reemplazo de los dispositivos y de los sistemas de control de emisiones que se estén realizando por cuenta del propietario pueden ser llevados a cabo por cualquier individuo o establecimiento especializados en reparación de motores. Los arreglos en garantía deben ser realizados por un distribuidor autorizado.

Lubricación

⚠ ADVERTENCIA

Antes de lubricar, reparar o inspeccionar, desconecte siempre la toma de fuerza (PTO), ponga el freno de mano, pare el motor y retire la llave, para evitar el encendido accidental del motor.

- Con un aceite lubricante de buena calidad, lubrique todos los puntos de lubricación. Consulte la tabla del Cronograma de mantenimiento que figura en este manual para conocer los intervalos de mantenimiento adecuados.

Mantenimiento del dispositivo contra chispas (si está equipado)

Los conjuntos de dispositivos contra chispas se deben inspeccionar y limpiar periódicamente (consulte Cronograma de mantenimiento en este manual). Inspeccione visualmente el filtro para detectar roturas, cables rotos o soldaduras sueltas. Vuelva a colocar el conjunto del dispositivo contra chispas si existen algunas de estas condiciones. Si la pantalla está en buenas condiciones, limpie la pantalla cepillando para sacar la suciedad o las partículas de carbono sueltas.

Neumáticos

Mantenga los neumáticos inflados a las presiones recomendadas. El inflado inadecuado de un neumático reduce su vida útil. Consulte los laterales de los neumáticos para averiguar las presiones de inflado adecuadas. Consulte la tabla del Cronograma de mantenimiento en este manual para conocer los intervalos de mantenimiento adecuados.

Respete las siguientes pautas:

- No infle los neumáticos por encima de la presión máxima que se muestra en el lateral del neumático.
- No vuelva a inflar un neumático que se ha utilizado desinflado o desinflado en extremo. Un gomero calificado debe inspeccionar y reparar el neumático.

Transmisión hidrostática

Su tractor de radio de giro cero está equipado con dos transejes/bombas hidrostáticas. Algunos modelos están equipados con un depósito de expansión de aceite de transmisión. En condiciones operativas normales, no es necesario controlar el nivel de aceite de los depósitos de expansión y no hace falta aceite adicional.

CAMBIO DEL ACEITE Y FILTRO DE LA TRANSMISIÓN (TRANSMISIÓN TUFF TORQ®)

Por favor, acuda a su distribuidor de servicio autorizado para realizar cambios de aceite y filtro de la transmisión.

ALMACENAMIENTO FUERA DE TEMPORADA

Si el tractor no va a funcionar por un período prolongado (treinta días o más), se lo debe preparar para el almacenamiento. Guarde el tractor en un lugar seco y protegido. Si lo guarda afuera, cúbralo (incluidos los neumáticos) para protegerlo de los fenómenos climáticos. Cada vez que almacena el tractor se deben realizar los procedimientos que se describen más abajo.

CUIDADO DEL PRODUCTO

1. Cambie el aceite y el filtro del motor siguiendo las instrucciones suministradas en este manual, como así también el manual del motor embalado con este tractor.

⚠ ADVERTENCIA

Nunca guarde el tractor con combustible en el depósito en un lugar cerrado o con escasa ventilación, donde los gases del combustible pueden alcanzar llamas abiertas, chispas o una luz piloto como la de un horno, calentador de agua, secador de ropa, etc.

2. Si guarda el tractor por 30 días o más:
 - a. Para evitar que se formen depósitos de goma dentro del carburador del motor y posibles desperfectos en el motor, el sistema de combustible debe ser vaciado completamente, o se debe tratar la gasolina con un estabilizador para evitar el deterioro.
 - b. Uso de un estabilizador de combustible para almacenamiento de entre 30 y 90 días:
 - Lea las instrucciones y recomendaciones del fabricante del producto.
 - Agregue a la gasolina limpia y nueva la cantidad correcta de estabilizador según la capacidad (aproximadamente 3 galones) del sistema de combustible.
 - Llene el depósito de combustible con combustible tratado y haga funcionar el motor 2-3 minutos para estabilizar el combustible dentro del carburador.
 - El combustible que queda en el depósito se deteriora y causa graves problemas de arranque.
 - c. Vaciado del sistema de combustible para almacenamiento de más de 90 días:

- Antes de guardar el tractor, observe el consumo de combustible a los efectos de hacer funcionar el tractor hasta que el depósito esté vacío.
- Haga funcionar el motor hasta que comience a detenerse. Use el cebador para mantener el motor en funcionamiento hasta que se haya agotado todo el combustible del carburador.
- Drene el combustible del recipiente del carburador, consultando el manual del motor.

3. Limpie perfectamente el motor y todo el tractor.

NOTA: no se recomienda el uso de una lavadora de presión ni de una manguera de jardín para limpiar el tractor, excepto para limpiar la parte inferior de la plataforma. Puede dañar los componentes eléctricos, los husillos, las poleas, los rodamientos o el motor. El uso de agua acortará la vida útil de la máquina y reducirá su capacidad de servicio.

4. Cargue totalmente la batería, luego desconecte el cable negativo de la batería para evitar posibles descargas. Vuelva a cargar la batería periódicamente durante el almacenamiento.

NOTA: retire la batería si está expuesta a períodos prolongados de temperaturas inferiores al congelamiento. Guarde en un lugar fresco y seco, donde las temperaturas estén por encima del punto de congelamiento.

5. Lubrique todos los puntos de lubricación.

RETIRO DEL TRACTOR DEL LUGAR DE ALMACENAMIENTO

1. Inspeccione el aceite del motor.
2. Cargue totalmente la batería e infle los neumáticos a la presión recomendada. Consulte los laterales de los neumáticos para averiguar las presiones de inflado adecuadas.
3. Llene el depósito de combustible con gasolina limpia y nueva.
4. Arranque el motor y déjelo andar en ralentí unos cuantos minutos para asegurar que su funcionamiento sea adecuado.
5. Conduzca el tractor sin carga para estar seguro de que todos los sistemas del tractor funcionan correctamente.

AJUSTES

Ajuste del pedal de elevación de la plataforma

1. Coloque la plataforma en la posición de transporte.
2. Retire el perno hexagonal, la arandela y la tuerca hexagonal cerca del centro del conjunto del pedal (Fig. 36).

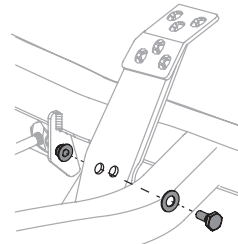


Fig. 36

3. Coloque el pedal en la posición óptima según la preferencia del operador (Fig. 37).

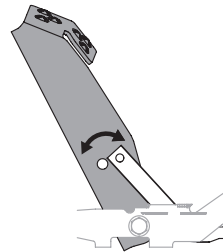


Fig. 37

4. Vuelva a instalar el hardware que retiró anteriormente y apriete la tuerca a 28-35 pies-libras (38-47 N-m) (Fig. 36).

Nivelación de la plataforma

Si la plataforma de corte estuviera realizando el corte de césped de forma despareja, puede realizarse el ajuste de nivelación.

⚠ ADVERTENCIA

Si el tractor ha estado en funcionamiento recientemente, el motor, el silenciador y las superficies metálicas circundantes estarán muy calientes y pueden causar quemaduras en la piel. Deje que el motor se enfríe durante al menos cinco minutos. Tenga precaución para evitar quemaduras.

⚠ ADVERTENCIA

Las cuchillas del tractor están afiladas. Envuelva la cuchilla o use guantes, y tenga mucho cuidado cuando las revise.

NIVELACIÓN DE LA PLATAFORMA (DE LADO A LADO)

1. Coloque la manija de elevación de la plataforma, la perilla o el pasador en la posición intermedia de corte y gire ambas cuchillas exteriores para que queden perpendiculares al tractor.
2. Mida la distancia desde la parte externa de la punta de la cuchilla izquierda hasta el piso, y desde la parte externa de la punta de la cuchilla derecha hasta el piso. Las dos mediciones obtenidas deben ser iguales. Si no lo son, prosiga al paso siguiente.
3. Ubique los pernos de ajuste (a) del lado izquierdo y derecho de la plataforma (Fig. 38).
4. Afloje pero no extraiga las contratuercas (b) en el perno de ajuste. Ajuste el perno de ajuste derecho o izquierdo arriba o abajo según sea necesario hasta que la altura de un lado a otro sea equivalente (Fig. 38).

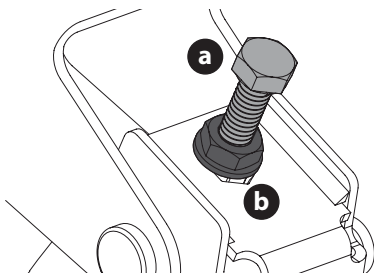


Fig. 38

NOTA: siga verificando la nivelación de adelante hacia atrás a medida que realiza el ajuste de un lado a otro, ya que este ajuste puede afectar la nivelación de adelante hacia atrás. Si fuera necesario, ajuste la nivelación de adelante hacia atrás como se indica en la siguiente sección.

5. Cuando se logra el ajuste correcto, vuelva a apretar la contratuerca (b). Ajuste hasta 200 pulgadas-libras (23 N-m) (Fig. 38).

NIVELACIÓN DE LA PLATAFORMA (INCLINACIÓN/DE ADELANTE HACIA ATRÁS)

La parte delantera de la plataforma debe estar entre 1/16-1/4 pulgada (2-6 mm) más abajo que la parte trasera de la plataforma. De ser necesario, realice un ajuste de la siguiente manera:

1. Estacione el tractor sobre una superficie firme y nivelada, y coloque la manija de elevación de la plataforma, la perilla o el pasador en la posición media.
2. Rote la cuchilla lo más cerca posible del canal de descarga de manera que esté en paralelo con el tractor.
3. Mida la distancia desde la parte delantera de la punta de la cuchilla hasta el suelo, y desde la parte posterior de la punta de la cuchilla hasta el suelo. La primera medición tomada debe ser de entre 1/16-1/4 pulgada (2-6 mm) menos que la segunda medición.
4. Determine la distancia aproximada necesaria para un ajuste adecuado y, de ser necesario, proceda.
5. Para **eleva**r el frente de la plataforma, extraiga la tapa de extremo, afloje la contratuerca exterior (a) y apriete (rosca hacia adentro) la tuerca interior (b) contra la ménsula de suspensión delantera (Fig. 39). Una vez alcanzado el ajuste adecuado, vuelva a ajustar la contratuerca exterior (a) y vuelva a colocar la tapa de extremo.

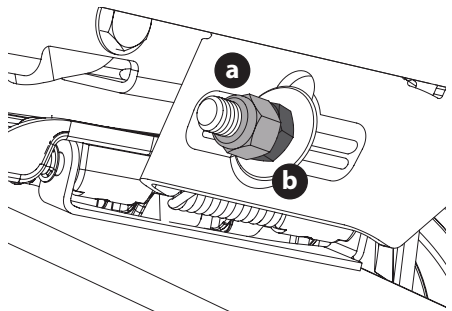


Fig. 39

6. Para **baja**r el frente de la plataforma, extraiga la tapa de extremo, afloje la contratuerca exterior (a) y afloje (rosca hacia afuera) la tuerca interior (b) alejándola de la ménsula de suspensión delantera (Fig. 39). Cuando se logre el ajuste correcto, vuelva a apretar la contratuerca externa (a) hasta 57 pies-libras (77 N-m) y vuelva a colocar la tapa de extremo.

Ajuste de las ruedas de la plataforma

⚠ ADVERTENCIA

Mantenga las manos y los pies alejados de la abertura de descarga de la plataforma de corte.

NOTA: las ruedas de la plataforma constituyen un mecanismo para el cuidado del césped y no fueron diseñadas para soportar el peso de la plataforma de corte. Las ruedas de la plataforma deben estar aproximadamente entre 1/4-1/2 pulgada (6.35-12.7

mm) por encima del nivel del suelo cuando la plataforma se fija en el valor de altura deseado. Para obtener instrucciones sobre cómo ajustar las ruedas de la plataforma consulte la sección Configuración.

Ajuste de detención de las palancas de control de la transmisión de barras de seguridad

Cuando ambas palancas de control de la transmisión de barras de seguridad están completamente extendidas hacia adelante hasta la posición de velocidad máxima y el tractor se desplaza a la derecha o la izquierda, se puede regular el ajuste de detención de las palancas de control de la transmisión de barras de seguridad para sincronizar las velocidades de las ruedas. Para realizar el ajuste proceda de la siguiente manera:

1. Identifique el lado hacia el que se desplaza el tractor y ajuste la palanca de control de la transmisión de barras de seguridad del lado contrario. Si el tractor se desplaza hacia la derecha, ajuste la palanca de control de la transmisión de barras de seguridad izquierda abajo (reduzca la velocidad) y viceversa.
2. Ubique los pernos del ajuste de detención de las palancas de control de la transmisión de barras de seguridad (a) que están en el frente del marco del asiento (Fig. 40).

NOTA: la herramienta para usos múltiples (si está equipada) se puede usar para hacer este ajuste.

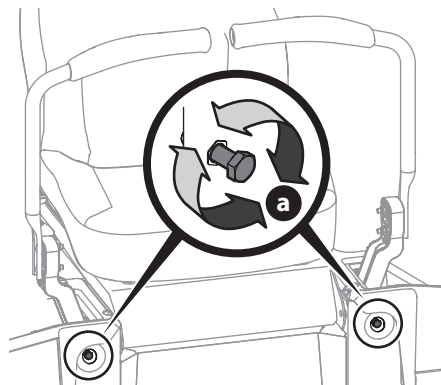


Fig. 40

3. Para reducir la velocidad de avance, gire los pernos del ajuste de detención de las palancas de control de la transmisión de barras de seguridad (a) en el sentido de las agujas del reloj. Para incrementar la velocidad de marcha hacia adelante, gire los pernos de ajuste de detención de las palancas de control de la transmisión de barras de seguridad (a) en el sentido contrario a las agujas del reloj. Gire los pernos de ajuste de detención de las palancas de control de la transmisión de barras de seguridad (a) en la dirección necesaria 1/4 de giro por vez. Después de girar los pernos de ajuste de detención de las palancas de control de la transmisión de barras de seguridad (a), compruebe el ajuste manejando el tractor (Fig. 40).

4. Continúe el ajuste hasta que las velocidades de las ruedas estén sincronizadas y el tractor circule en línea recta con las palancas de control de la transmisión completamente extendidas hacia adelante en la posición de velocidad máxima.

NOTA: compruebe que los pernos se extiendan a través de las tuercas del bastidor para activar la función de bloqueo.

SERVICIO

Sistema eléctrico

El tractor tiene instalado un fusible para proteger el sistema eléctrico de los daños causados por el exceso de amperaje. Siempre reemplace con fusibles de la misma capacidad. Si el sistema eléctrico no funciona, controle si hay un fusible quemado.

Si se repite el problema de los fusibles quemados, haga que el distribuidor de servicio autorizado de su localidad revise el sistema eléctrico del tractor.

Relés e interruptores

Hay varios interruptores de seguridad en el sistema eléctrico. Si una función del sistema de bloqueo de seguridad descrito antes no funciona adecuadamente, haga que el distribuidor de servicio autorizado revise el sistema eléctrico.

Ajuste del freno de mano

Si el tractor no se detiene por completo cuando se colocan las palancas de control totalmente hacia atrás enganchando el freno de mano, o si las ruedas traseras del tractor siguen rodando con el freno de mano colocado (y la válvula de descarga hidrostática abierta), el freno necesita un ajuste o reparación. Consulte al distribuidor de servicio autorizado para realizar un ajuste del freno.

Retiro de la plataforma

Retire la plataforma de corte del tractor de la siguiente forma:

1. Lleve el tractor a una superficie nivelada, desconecte la PTO, pare el motor y coloque las palancas de control de la transmisión del lado derecho e izquierdo completamente hacia afuera en la posición de freno de mano activado.
2. Hay dos métodos para extraer la correa, para extraer la correa aflojando la tensión de la correa prosiga al paso 3, para extraer la correa haciéndola rodar fuera de la polea de la PTO, pase al paso 4.

⚠ ADVERTENCIA

Tenga cuidado de no pellizcarse los dedos cuando coloca la correa en la polea de la toma de fuerza.

CUIDADO DEL PRODUCTO

3. Para aflojar la tensión de la correa con la polea loca:

- Usando la manija de elevación de la plataforma, o el pedal y la perilla de elevación de la plataforma, o el pedal y el pasador de elevación de la plataforma, levante la plataforma a la posición que le ofrece mayor recorrido horizontal de la correa entre las poleas locas de la plataforma y la polea de la PTO en la base del motor (Fig. 41).
- Desde la parte media del tractor, haga girar el soporte de polea loca (a) y la polea loca móvil (b) hacia atrás, justo lo suficiente para levantar la correa, por encima de la polea del husillo (Fig. 41).

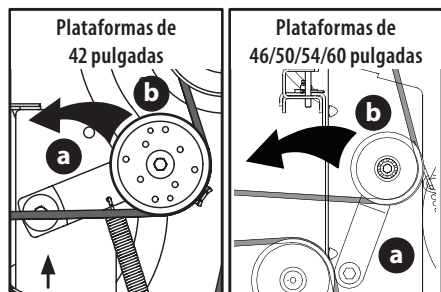


Fig. 41

- Desde abajo de la parte trasera del tractor, deslice la correa para sacarla de la polea de la toma de fuerza (PTO) en la base del motor.
 - Baje la plataforma a la posición de corte más baja.
 - Prosiga con el paso 5.
4. Para hacer rodar la correa para sacarla de la polea de la toma de fuerza (PTO):
- Elevar la plataforma a la posición más alta.
 - Sentado detrás del tractor, mirando hacia adelante, estire la mano debajo del tractor para agarrar la correa por delante de la polea de la PTO.
 - Tire del lado izquierdo de la correa hacia atrás y hacia abajo mientras gira manualmente la polea de la PTO hacia la derecha hasta que la correa se deslice hacia afuera sobre el borde inferior de la polea.

NOTA: si tira del lado derecho de la correa, gire la polea hacia la izquierda.

- Mientras sostiene la correa de la PTO (a) hacia abajo, siga girando la polea de la PTO (b) hasta que la correa de la PTO (a) se deslice fuera de la polea (b) (Fig. 42).

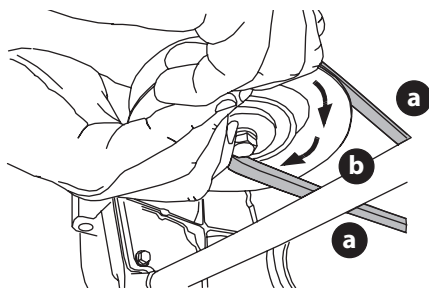


Fig. 42

- Baje la plataforma a la posición de corte más baja.
- Siga con el paso 5.

⚠ ADVERTENCIA

La elevación de la plataforma en los tractores con la perilla o el pasador de elevación de la plataforma se acciona con resorte y bajo tensión. Pueden ocurrir lesiones si la elevación de la plataforma accionada por resorte se suelta repentinamente. Use siempre la herramienta para usos múltiples para sujetar la elevación de la plataforma en su lugar.

- En los tractores equipados con la perilla o el pasador de elevación de la plataforma, use el pedal de elevación de la plataforma y la perilla o el pasador de elevación de la plataforma para ubicar la plataforma en la posición más baja, y use la herramienta para usos múltiples (a) (si se incluye) para bloquear los componentes de la elevación de la plataforma en su lugar como se muestra en la Fig. 43. En tractores con una manija de elevación de la plataforma, baje la plataforma a la posición más baja.

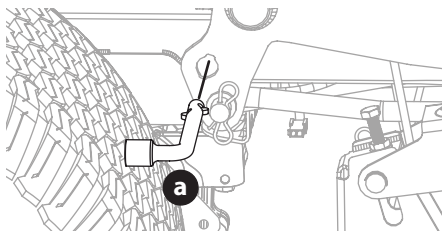


Fig. 43

- Extraiga los dos pasadores con unión curva (a) de los pasadores de horquilla (b) que sujetan los soportes del varillaje de elevación (c) a los soportes traseros de elevación de la plataforma (d) en la plataforma. Extraiga los pasadores de horquilla (b) (Fig. 44 en la página 69).

CUIDADO DEL PRODUCTO

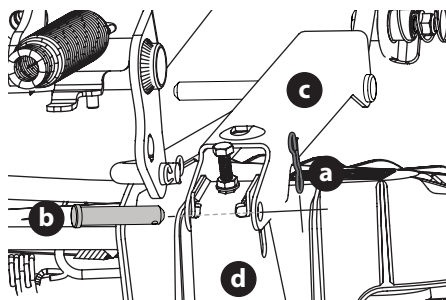


Fig. 44

- Extraiga el tercer pasador con unión curva (a) del pasador de horquilla (b) que sujeta la varilla de control de la plataforma delantera (c) al soporte delantero de elevación de la plataforma (d). Extraiga los pasadores de horquilla (b) (Fig. 45).

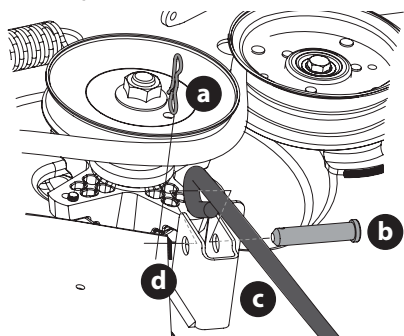


Fig. 45

- Maniobre con atención la plataforma para sacarla de debajo del tractor.

Instalación de la plataforma

Instale la plataforma sobre el tractor de la siguiente forma:

- Maniobre con atención la plataforma debajo del tractor desde el lado derecho, alineando las ménsulas de suspensión de la plataforma y los brazos de elevación de la plataforma en tractores con varilla de elevación de la plataforma/pasador de liberación de la plataforma, y alinee los soportes del varillaje de elevación y la varilla de control de la plataforma delantera con los soportes de elevación de la plataforma en tractores con tres pasadores.

- Una vez que la plataforma esté debajo del tractor, mueva la plataforma a la posición de corte más baja.

NOTA: para que los soportes se alineen adecuadamente puede ser necesario colocar un bloque de madera pequeño debajo de cada lado de la plataforma.

- Vuelva a instalar los herrajes adecuados para su tractor.

- Asegúrese de que la correa en 'V' esté en las poleas del husillo de la plataforma, luego oriente la correa hacia atrás por debajo del bastidor del tractor, por encima de los tubos de transmisión (Transmisión Hydro-Gear®) o la barra cruzada (Transmisión Tuff Torq®), hacia la polea de la toma de fuerza (PTO) en la base del motor.
- Elevar la plataforma a la posición más alta.
- Asegúrese de que la correa esté en las poleas del husillo de la plataforma y que el lado trasero de la correa esté contra las poleas locas fija y móvil.
- Sentado detrás del tractor, mirando hacia adelante, asegúrese de que la correa no esté retorcida; luego estire la mano debajo del tractor para agarrar la correa y tirar de la misma hacia la polea de la PTO.

⚠ ADVERTENCIA

Tenga cuidado de no pellizcarse los dedos cuando saca la correa de la polea de la PTO.

- Tire del lado derecho de la correa de la PTO hacia atrás y coloque el lado V angosto de la correa de la PTO en la polea de la PTO (Fig. 42 en la página 68).
- Mientras sostiene la correa y la polea de la PTO juntas, gire la polea de la PTO hacia la izquierda (Fig. 42 en la página 68). Siga sosteniendo y rotando la polea de la PTO y la correa de la PTO hasta que la correa de la PTO se enrolle totalmente en la polea de la PTO.

NOTA: antes de usar el tractor, compruebe la instalación de la correa para estar seguro de que la misma se ha colocado correctamente.

Cambio de la correa

- Extraiga la plataforma de la parte inferior del tractor (consulte la sección Retiro de la plataforma).
- Afloje, pero no quite los herrajes de la polea loca a la derecha (a) y la izquierda (b). Fig. 46 para las plataformas de 42 pulgadas, la Fig. 47 para las plataformas de 46 pulgadas, la Fig. 48 para las plataformas de 50 y 54 pulgadas y la Fig. 49 para las plataformas de 60 pulgadas en la página 70.

NOTA: tome nota de la posición de la protección de correa (c) para asegurar que se haya vuelto a instalar de manera correcta.

NOTA: en algunas plataformas puede ser necesario retirar las cubiertas de los husillos para sacar y/o instalar la correa nueva. Para retirar las cubiertas de los husillos, saque los tornillos que los sujetan a la plataforma.

- Extraiga con cuidado la correa de alrededor de las poleas locas (a y b) y de las poleas del husillo (d).
- Instale las nueva correa como se muestra y reinstale las cubiertas de la correa.

CUIDADO DEL PRODUCTO

- Coloque la correa alrededor de las poleas locas que extrajo en el paso 3 con el lado en 'V' orientado hacia adentro. Una vez que todo esté en su lugar, vuelva a colocar los herrajes y ajuste la tuerca de seguridad con brida para sujetar el conjunto.
- Pase la correa como se indica y vuelva a instalar la plataforma (consulte Instalación de la plataforma).

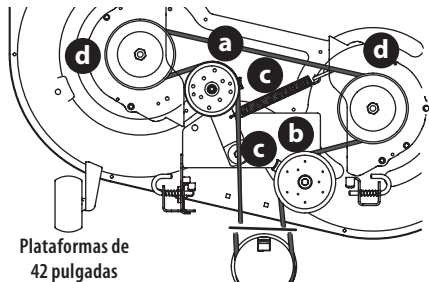


Fig. 46

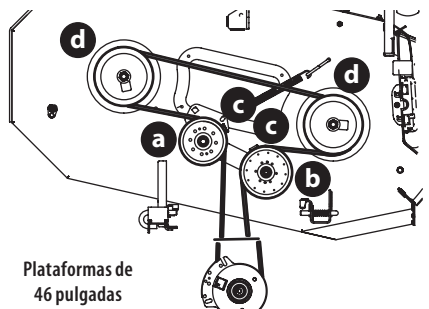


Fig. 47

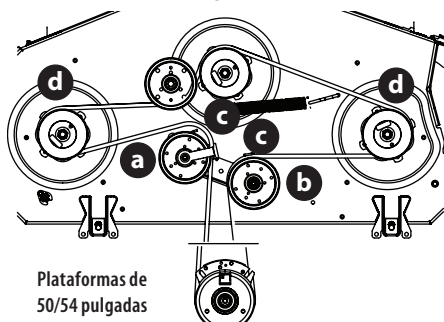


Fig. 48

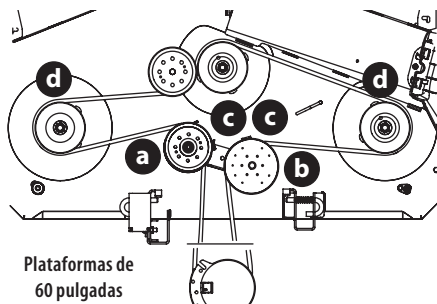


Fig. 49

CUIDADO DE LAS CUCHILLAS DEL TRACTOR

⚠ ADVERTENCIA

Antes de realizar tareas de mantenimiento, desactive el PTO y mueva las palancas de control de la transmisión completamente hacia afuera hasta la posición de freno de mano activado. Si deja el tractor sin vigilancia, gire la llave de contacto hasta la posición STOP (detención) y retirela. Proteja sus manos utilizando guantes reforzados cuando manipule las cuchillas. Cuando realice el mantenimiento de la plataforma de corte del tractor, tenga cuidado para no cortarse con las cuchillas filosas.

Las cuchillas de corte deben estar siempre afiladas. Afile los bordes de corte de las cuchillas de forma pareja de modo que las cuchillas queden balanceadas y se mantenga el mismo ángulo de filo.

Si el borde de corte de una cuchilla ya se ha afilado muchas veces, o si hay alguna separación en el metal, se recomienda instalar cuchillas nuevas. El distribuidor autorizado le puede proveer cuchillas nuevas.

Sistema de Cuchilla de estrella (si se incluye)

Las cuchillas se pueden sacar de la siguiente manera:

- Extraiga la plataforma de la parte inferior del tractor (consulte la sección Retiro de la plataforma); luego voltee con delicadeza la plataforma para dejar al descubierto su parte inferior.

CUIDADO DEL PRODUCTO

- Coloque un bloque de madera (c) entre el alojamiento de la plataforma y el borde de corte de la cuchilla (b) para ayudar a aflojar la tuerca hexagonal (a) que fija la cuchilla (b). Utilice una llave de 15/16 pulgadas para aflojar la tuerca hexagonal (a) (Fig. 50).

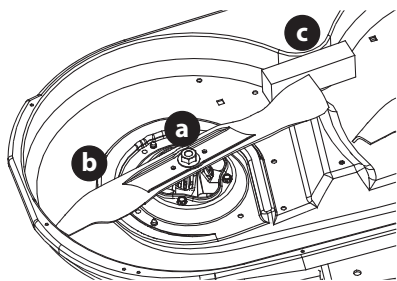


Fig. 50

- Quando reinstale las cuchillas, asegúrese de que se instalen de modo que las aletas se orienten hacia arriba hacia la parte superior de la plataforma.
- Ajuste las tuercas hexagonales (a) a 70-90 pies-libras (95-122 N-m).
- Reinstale la plataforma (consulte Instalación de la plataforma).

Sistema de Cuchillas con S-Blades (si se incluye)

Las cuchillas se pueden sacar de la siguiente manera:

- Extraiga la plataforma de la parte inferior del tractor, (consulte la sección Retiro de la plataforma); luego volteo con delicadeza la plataforma para dejar al descubierto su parte inferior.
- Coloque un bloque de madera (c) entre el alojamiento de la plataforma y el borde de corte de la cuchilla (b) para ayudar a aflojar la tuerca hexagonal (a) y la arandela (d)* que fijan la cuchilla (b). Utilice una llave de 15/16 pulgadas para aflojar la tuerca hexagonal (a) y la arandela (d)* (Fig. 51).

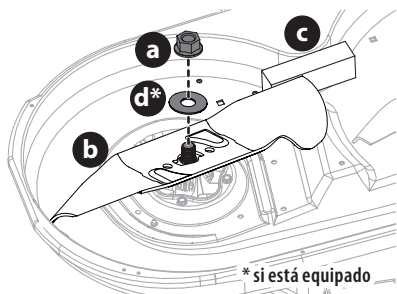


Fig. 51

- Quando reinstale las cuchillas, asegúrese de lo siguiente (Fig. 51):
 - Las cuchillas (b) se instalan de modo que las aletas se orienten hacia arriba hacia la parte superior de la plataforma.
 - La arandela (d)* se coloca entre la parte inferior de la cuchilla (b) y la tuerca hexagonal (a).

¡IMPORTANTE! Alinee el recorte en forma de "S" con la forma de "S" correspondiente en el huso para un ajuste seguro.

- Ajuste las tuercas hexagonales (a) a 70-90 pies-libras (95-122 N-m).
- Reinstale la plataforma (consulte Instalación de la plataforma en esta sección).

CAMBIO DE LA CORREA DE TRANSMISIÓN

Para cambiar la correa de transmisión del tractor, se deben retirar varios componentes y se requieren herramientas especiales. Solicite a un distribuidor de servicio autorizado que realice el reemplazo de la correa de transmisión.

DESPLAZAMIENTO LENTO DEL TRACTOR

Desplazamiento lento es el movimiento del tractor adelante o hacia atrás cuando el acelerador está activado y las palancas de control de transmisión están en posición neutra. Si tractor se desplaza lentamente, consulte al distribuidor autorizado para el mantenimiento.

SOLUCIÓN DE PROBLEMAS

ADVERTENCIA

Antes de realizar cualquier tipo de mantenimiento o servicio, desactive todos los controles y detenga el motor. Espere a que se detengan completamente todas las piezas móviles. Desconecte los cables de las bujías y el cable negativo de la batería para evitar un arranque involuntario. Utilice siempre anteojos de seguridad durante el funcionamiento o mientras ajusta o repara este equipo.

En esta sección se analizan problemas menores de servicio. Para localizar el centro de servicio técnico autorizado más cercano consulte la hoja complementaria que se entrega por separado donde consta la información de contacto.

Problema	Causa	Solución
El motor no arranca	<ol style="list-style-type: none"> 1. Perilla de toma de fuerza (PTO)/activación de cuchilla activada. 2. No está puesto el freno de mano. 3. Se ha desconectado el cable de bujía. 4. La palanca de control del acelerador no está en la posición de arranque correcta. 5. El depósito de combustible está vacío o el combustible se ha echado a perder. 6. El circuito del combustible o el filtro de combustible están obstruidos. 7. La bujía no funciona correctamente. 8. Motor ahogado. 9. Fusible(s) quemado(s). 	<ol style="list-style-type: none"> 1. Coloque la perilla en la posición de desconexión (OFF). 2. Coloque el freno de mano. 3. Conecte el cable a la bujía. 4. Mueva la palanca del acelerador a la posición FAST (rápido). 5. Llene el depósito con gasolina limpia y nueva (de menos de 30 días de antigüedad). 6. Vuelva a colocar el circuito de combustible. Comuníquese con distribuidor de servicio calificado. Reemplace el filtro de combustible. 7. Limpie, ajuste la separación, o cambie la bujía. 8. Arranque el motor con el acelerador en la posición FAST (rápido). 9. Reemplace el fusible.
El motor funciona de manera errática	<ol style="list-style-type: none"> 1. El tractor cortacésped está funcionando con el Cebador activado. 2. El cable de la bujía está flojo. 3. El circuito del combustible está obstruido o el combustible se ha echado a perder. 4. La ventilación en la tapa del combustible está obstruida. 5. Hay agua o suciedad en el sistema de combustible. 6. El depurador de aire está sucio. 	<ol style="list-style-type: none"> 1. Compruebe que el cebador funcione. Comuníquese con distribuidor de servicio calificado. 2. Conecte y ajuste el cable de la bujía. 3. Vuelva a colocar el circuito de combustible. Comuníquese con distribuidor de servicio calificado. Llene el tanque con gasolina limpia y nueva y reemplace el filtro de combustible. 4. Destape la ventilación o reemplace la tapa si está dañada. 5. Vacíe el depósito de combustible. Recargue el depósito con gasolina limpia y nueva. 6. Limpie o reemplace el elemento de papel del depurador de aire o limpie el prefiltro de espuma.

CUIDADO DEL PRODUCTO

Problema	Causa	Solución
El motor recalienta	<ol style="list-style-type: none"> 1. El nivel de aceite del motor está bajo. 2. Restricción en el flujo de aire. 	<ol style="list-style-type: none"> 1. Llene el motor con cantidad y tipo de aceite adecuados. 2. Elimine los recortes de césped y los desechos de alrededor de las aletas de enfriamiento del motor y de la carcasa del soplador.
El motor vacila a altas revoluciones	<ol style="list-style-type: none"> 1. Poca separación de los electrodos de la bujía. 	<ol style="list-style-type: none"> 1. Extraiga la bujía y regule la separación.
El motor funciona mal en marcha lenta	<ol style="list-style-type: none"> 1. La bujía de encendido está sucia. 2. El depurador de aire está sucio. 	<ol style="list-style-type: none"> 1. Reemplace la bujía y regule la separación. 2. Limpie o reemplace el elemento del depurador de aire y/o limpie el prefiltro.
Excesiva vibración	<ol style="list-style-type: none"> 1. Cuchillas de corte flojas o descentradas. 2. Cuchilla de corte dañada, desafilada o doblada. 	<ol style="list-style-type: none"> 1. Apriete la cuchilla y el husillo. Equilibre la cuchilla. 2. Reemplace la cuchilla.
Corte irregular	<ol style="list-style-type: none"> 1. La plataforma no está correctamente nivelada. 2. Cuchilla desafilada. 3. Presión de neumáticos desigual. 	<ol style="list-style-type: none"> 1. Haga un ajuste de la plataforma de lado a lado. 2. Afile o cambie la cuchilla. 3. Verifique la presión de los cuatro neumáticos.

MANUEL DE L'UTILISATEUR

Tracteur à rayon de braquage zéro Commande Lapbar

Anglais (English).....	Page 1
Espagnol (Spanish).....	Page 35
Français.....	Page 74

Identification du produit

Avant de préparer et d'utiliser votre appareil neuf, veuillez localiser la plaque signalétique et reporter les renseignements dans la section à droite. La plaque se trouve sous le support du siège. Soulevez le siège pour la trouver. Ces renseignements sont nécessaires lorsque vous cherchez de l'aide technique, soit sur notre site Web, soit auprès de notre service à la clientèle ou du concessionnaire agréé de votre région.

Numéro de modèle

Numéro de série

AVERTISSEMENT

Lisez attentivement les consignes de sécurité et les instructions de montage et de fonctionnement avant d'utiliser votre appareil afin d'éviter de vous blesser. CONSERVEZ CES INSTRUCTIONS.

NOTE : Ce manuel est commun à plusieurs modèles dont les caractéristiques peuvent différer. Certaines caractéristiques décrites dans ce manuel peuvent ne pas s'appliquer à tous les modèles. Votre appareil peut différer du modèle illustré.

CONSIGNES DE SÉCURITÉ

⚠ AVERTISSEMENT



Les consignes importantes sont précédées de ce symbole. Si vous ne respectez pas ces consignes, vous pourriez vous blesser grièvement ou causer des dommages. Veuillez lire et respecter toutes les consignes de ce manuel avant d'utiliser cet appareil afin d'écartier tout risque d'accident et de blessure. Lorsque vous voyez ce symbole, RESPECTEZ LA CONSIGNE !

⚠ DANGER

Cet appareil doit être utilisé conformément aux consignes de ce manuel. Comme pour tout type d'équipement motorisé, la négligence ou une erreur de la part de l'utilisateur peut entraîner un accident. De plus, les lames sont dangereuses. Elles peuvent projeter des objets avec force ou infliger des blessures graves (pouvant mener à une amputation des doigts, des mains ou des pieds). Il est donc impératif de respecter scrupuleusement les consignes de sécurité énoncées.

FONCTIONNEMENT GÉNÉRAL

1. Veuillez lire attentivement toutes les instructions inscrites sur l'appareil et dans le manuel avant de l'assembler et de l'utiliser. Conservez le manuel pour pouvoir le relire ou commander des pièces de rechange.
 2. Familiarisez-vous avec les commandes et le fonctionnement de votre appareil avant de vous en servir. Vous devez surtout savoir comment l'arrêter et débrayer les commandes rapidement.
 3. L'âge minimum pour pouvoir utiliser cet appareil est de 14 ans. Si vous souhaitez permettre à vos enfants de plus de 14 ans de tondre la pelouse, lisez d'abord les consignes de sécurité et d'utilisation avec eux, montrez-leur comment faire et exigez qu'un adulte soit présent en tout temps.
 4. Ne confiez votre appareil qu'à des adultes responsables, qui savent s'en servir.
 5. Soyez prudent et faites preuve de bon sens en tout temps : ce manuel ne peut couvrir toutes les situations susceptibles de survenir lorsque vous utilisez votre tondeuse. Si vous avez besoin d'aide, communiquez avec notre service à la clientèle.
 6. La durée de vie moyenne de votre tondeuse est de sept (7) ans d'après la Commission américaine pour la sécurité des produits de consommation (U.S. Consumer Products Safety Commission) et l'Agence américaine de protection de l'environnement (U.S. Environmental Protection Agency). À ce terme, faites impérativement vérifier les mécanismes et dispositifs de sécurité tous les ans par un centre de service agréé. Vous risquez un accident grave voire mortel si vous ne le faites pas.
2. Ne laissez personne s'approcher à moins de 23 mètres (75 pieds) lorsque vous tondez, à cause des risques liés aux projections ou à une collision. Personne ne doit s'approcher de la zone de travail. Coupez le moteur dès que quelqu'un s'approche.
 3. Ne dirigez jamais le côté où sont éjectés les débris d'herbe vers d'autres personnes.
 4. Portez toujours des lunettes de sécurité pour tondre ou pour effectuer un réglage ou une réparation. Vos yeux sont particulièrement vulnérables aux projections.
 5. Portez des chaussures fermées et à semelle épaisse et des vêtements couvrants et bien ajustés, et évitez les bijoux. Ne tondez jamais pieds nus ou en sandales.
 6. Ne remplissez pas le réservoir à ras bord : l'essence se dilate en chauffant, alors laissez un espace d'environ un demi-pouce (13 mm) sous le col de remplissage.
 7. Veillez à remettre correctement le bouchon du réservoir lorsque vous avez terminé.
 8. N'utilisez que des pièces d'origine et des accessoires homologués. Si vous ajoutez un accessoire, lisez bien son manuel d'utilisation.

UTILISATION

AVANT D'UTILISER

1. Examinez soigneusement la pelouse avant de tondre. Ramassez les pierres, brindilles, fils, os, jouets et autres objets qui pourraient être projetés ou sur lesquels vous pourriez trébucher. Les objets projetés peuvent causer de graves blessures.
2. Avant de démarrer le moteur, débrayez les lames et poussez les barres de conduite à fond vers l'extérieur pour engager le frein de stationnement.
3. N'approchez pas les pieds ou les mains ni des lames, ni du dessous du plateau de coupe : vous pourriez vous blesser grièvement, au point de devoir subir une amputation.
4. Faites attention aux trous, ornières, bosses, roches et autres objets. Prenez garde car votre appareil pourrait se renverser en passant dessus. L'herbe haute peut camoufler des obstacles.

CONSIGNES DE SÉCURITÉ

5. Calculez votre trajectoire de façon à éviter de projeter les brins coupés vers la rue, le trottoir, les passants, etc. Attention : les débris peuvent rebondir sur les murs ou autres obstacles et vous atteindre.
6. Calculez bien la hauteur libre avant de vous engager sous des branches basses, des fils électriques ou dans tout autre passage réduit car vous pourriez vous cogner ou tomber du siège et vous blesser grièvement.
7. Ne laissez jamais votre appareil en marche sans surveillance. Avant de descendre de l'appareil, débrayez les lames, poussez les barres de conduite à fond vers l'extérieur pour engager le frein de stationnement, coupez le moteur et retirez la clé de contact.
8. Débrayez les lames, poussez les barres de conduite à fond vers l'extérieur à la position neutre pour engager le frein de stationnement, arrêtez le moteur et attendez l'arrêt complet de la lame avant de retirer le bac récupérateur, de déboucher la goulotte ou d'effectuer un réglage ou une réparation.
9. Cet appareil est conçu pour une utilisation non-professionnelle. Il peut tondre un gazon de 25 centimètres (10 pouces) de haut au maximum. Il n'est pas fait pour tondre les hautes herbes (par ex. dans un pré) ou pour déchiqeter des tas de feuilles mortes. Si des débris végétaux secs s'accumulent sous le plateau de coupe et atteignent le tuyau d'échappement, ils risquent de prendre feu.
10. Reculez lentement. Regardez toujours derrière vous et par terre avant et pendant la marche arrière pour ne pas renverser quelqu'un.
11. Ne laissez pas d'autres personnes monter sur l'appareil lorsque le moteur est en marche.
12. Ne vous approchez pas à moins de 3 mètres (10 pieds) des rebords surélevés, des fossés, des remblais ou des rives. Vous risquez d'y tomber si une roue se retrouve dans le vide ou si le sol s'effondre sous le poids de l'appareil.
13. Le risque de projection et de blessures est décuplé s'il n'y a pas de déflecteur d'éjection.
14. N'utilisez pas cet appareil sans son déflecteur d'éjection ou sans un sac à herbe.
15. Attention : les bacs récupérateurs et autres accessoires affectent l'équilibre de l'appareil. Suivez les instructions du fabricant.
16. Débrayez les lames dès que vous cessez de tondre et avant de vous engager sur le trottoir, sur la route ou sur du gravier.
17. Si vous devez circuler sur un bas-côté ou traverser la route, faites attention à la circulation. Ne circulez pas sur la voie publique.
18. Tondez en plein jour ou avec un éclairage artificiel adéquat.
19. N'utilisez pas cet appareil lorsque vous êtes sous l'empire de la boisson ou d'un médicament.
20. Ralentez avant d'entamer un virage. N'effectuez pas de gestes brusques, évitez les manœuvres abruptes et n'allez pas trop vite.
21. Ne touchez pas le silencieux et le moteur, car ils deviennent chauds et pourraient vous brûler. Laissez le moteur refroidir pendant cinq minutes avant d'effectuer un réglage ou une réparation.
22. Ne laissez jamais le moteur tourner dans un lieu fermé ou mal aéré en raison de la présence de monoxyde de carbone, un gaz inodore très dangereux, dans les gaz d'échappement.

PRÉCAUTIONS RELATIVES AUX ENFANTS

1. Redoublez de vigilance si vous avez des enfants. Ces derniers aiment bouger, peuvent se déplacer à tout moment à votre insu et sont souvent attirés par les appareils de jardin sans se rendre compte du danger, ce qui peut provoquer de très graves accidents.
2. Les proches, enfants ou animaux de compagnie doivent être sous la surveillance d'un adulte autre que l'utilisateur de l'appareil et ne doivent pas s'approcher de la zone de travail. Coupez le moteur dès que quelqu'un s'approche.
3. Ne laissez pas les enfants monter sur la tondeuse lorsque le moteur est en marche, même si les lames sont débrayées, car ils pourraient vous gêner, vous déconcentrer ou encore tomber et se blesser grièvement ou mortelles.
4. Des enfants qui ont déjà monté sur l'appareil peuvent s'approcher pour un autre tour et peuvent être écrasés par l'appareil, causant des blessures graves ou mortelles.
5. Restez vigilant et arrêtez l'appareil dès qu'ils s'approchent.
6. Avant de reculer, retournez-vous pour vérifier soigneusement qu'il n'y a personne derrière l'appareil.
7. Soyez particulièrement vigilant à l'abord de virages masqués, portails, buissons, arbres, etc. desquels les enfants peuvent surgir d'un coup.
8. L'âge minimum pour pouvoir utiliser cet appareil est de 14 ans. Si vous souhaitez permettre à vos enfants de plus de 14 ans de tondre la pelouse, lisez d'abord les consignes de sécurité et d'utilisation avec eux, montrez-leur comment faire et exigez qu'un adulte soit présent en tout temps.
9. Sécurisez l'appareil pour qu'aucun enfant ne l'utilise sans autorisation. Cet appareil n'est pas un jouet. Informez vos enfants qu'il est dangereux d'utiliser l'appareil et qu'il ne faut pas s'en approcher.
10. Ne laissez pas vos enfants s'approcher du moteur en marche ou encore chaud ou encore du silencieux car ils risquent de se brûler.
11. Ne laissez jamais la clé de contact sur la tondeuse afin que vos enfants ne puissent pas démarrer le moteur. Assurez-vous qu'elle est hors de la portée des enfants.

CONSIGNES RELATIVES AUX PENTES

1. Dans les pentes, les accidents sont plus fréquents et souvent plus graves (voire mortels) car vous avez plus de risque de perdre le contrôle de votre équipement et de vous renverser. Vous devez donc redoubler de vigilance même dans les pentes douces et n'y allez pas du tout si vous ne vous sentez pas en confiance ou s'il est impossible de la remonter à reculons.
2. Par mesure de sécurité, mesurez toute pente à tondre avec l'inclinomètre de ce manuel avant de vous y engager avec la tondeuse. Utilisez aussi un dispositif de mesure pour déterminer la pente à tondre avant d'utiliser l'appareil. Vous pouvez aussi utiliser les applications pour téléphone pour mesurer les pentes. Évitez impérativement les pentes dont l'inclinaison est supérieure à 15° (25 %) car les risques d'accident grave y sont très élevés.
3. Ne tondez pas sur des pentes avec une inclinaison supérieure à 15° (25 %).
4. Ne tondez pas en montant ou en descendant des pentes; tondez seulement des pentes inférieures à 15° (25 %). Utilisez des vitesses basses et évitez les virages brusques.
5. Ne tondez pas si la pelouse est mouillée car elle devient très glissante.
6. N'utilisez pas l'appareil si sa traction, sa stabilité ou sa conduite sont remises en question. Ses roues peuvent glisser même lorsque l'appareil est à l'arrêt.
7. Évitez d'avoir à démarrer ou à vous arrêter au beau milieu d'une pente. Ne changez pas de vitesse ou de direction brusquement, tournez lentement et prudemment.
8. Attention : les bacs récupérateurs et autres accessoires affectent l'équilibre de l'appareil. N'utilisez pas de bac récupérateur sur une pente supérieure à 10° (17 %).
9. N'essayez jamais de stabiliser l'appareil en posant le pied à terre.
10. N'allez pas trop vite et prenez votre temps. Ne changez pas de vitesse ou de direction brusquement. Une accélération ou un freinage brusques peut faire lever l'avant de l'appareil et faire basculer ce dernier vers l'arrière, ce qui est extrêmement dangereux pour vous.

INCLINOMÈTRE (DERNIÈRE PAGE)

AVERTISSEMENT

Le risque de glisser et de renverser l'appareil dans une pente est beaucoup plus élevé que sur terrain plat et les blessures qui en résultent peuvent être très graves, voire mortelles. Vous devez donc redoubler de vigilance même dans les pentes douces. Ne vous engagez pas sur une pente si vous ne vous sentez pas à l'aise. Ne tondez pas sur des pentes avec une inclinaison supérieure à 15° (25 %). Travaillez perpendiculairement à la pente, et non dans le sens de la pente.

PAR MESURE DE SÉCURITÉ, MESUREZ TOUTE PENTE À TONDRE AVEC L'INCLINOMÈTRE À LA DERNIÈRE PAGE DE CE MANUEL POUR ÉTABLIR SI LA PENTE EST TROP RAIDE !

Procédez comme suit pour vérifier l'inclinaison :

1. Allez à la dernière page et pliez-la en suivant la ligne pointillée.
2. Cherchez un objet vertical sur la pente ou à l'arrière (un poteau, un bâtiment, une clôture, un arbre, etc.).
3. Alignez un côté de l'inclinomètre avec cet objet.
4. Réglez l'inclinomètre vers le haut ou vers le bas jusqu'à ce que le coin gauche touche la pente.
5. S'il y a un écart sous l'inclinomètre, la pente est trop raide pour une utilisation sans danger.

ESSENCE

1. Faites très attention lorsque vous manipulez de l'essence. Ce liquide est très inflammable et dégage des vapeurs explosives. Une simple éclaboussure sur la peau ou les vêtements peut s'enflammer et causer de graves brûlures. Nettoyez au plus vite toute éclaboussure sur la peau et changez de vêtements.
2. Éteignez cigares, cigarettes, pipes et tout autre objet susceptible de s'enflammer.
3. N'utilisez que des bidons d'essence homologués.
4. N'ouvrez pas le réservoir si le moteur est allumé ou encore chaud. Laissez le moteur refroidir pendant au moins cinq minutes avant de faire le plein.
5. Ne faites jamais le plein dans un lieu fermé.
6. N'entreposez jamais l'appareil ou les bidons d'essence à proximité d'une flamme nue, d'étincelles ou d'une veilleuse (chauffe-eau, radiateur, sècheuse, appareils fonctionnant au gaz).
7. En cas de débordement, essuyez l'essence sur le moteur et sur l'appareil et éliminez les débris souillés. Puis changez ce dernier de place et attendez cinq minutes avant de redémarrer le moteur.
8. Pour limiter les risques d'incendie, retirez les brins d'herbe, feuilles et autres débris accumulés sur le moteur. Suivez les instructions de la section Entretien de l'appareil après son utilisation dans le chapitre Entretien du manuel.
9. Cet appareil est conçu pour une utilisation non-professionnelle. Il peut tondre un gazon de 25 centimètres (10 pouces) de haut au maximum. Il n'est pas fait pour tondre les hautes herbes (par ex. dans un pré) ou pour déchieter des tas de feuilles mortes. Si des débris végétaux secs s'accumulent sous le plateau de coupe et atteignent le tuyau d'échappement, ils risquent de prendre feu.

10. Ne remplissez pas le réservoir à ras bord : l'essence se dilate en chauffant, alors laissez un espace d'environ un demi-pouce (13 mm) sous le col de remplissage.
11. Veillez à remettre correctement le bouchon du réservoir lorsque vous avez terminé. N'utilisez pas la tondeuse sans bouchon de réservoir d'essence.
12. Laissez refroidir l'appareil pendant au moins cinq minutes avant de le ranger ou de faire le plein.
13. Ne remplissez jamais les bidons à l'intérieur d'un véhicule ou encore à l'arrière d'un camion ou d'une remorque à plancher de plastique. Placez toujours les bidons par terre et loin de votre véhicule pour les remplir.
14. Déchargez l'appareil et faites le plein par terre dans la mesure du possible. Si cela n'est pas possible, faites le plein avec un bidon plutôt que directement du pistolet distributeur.
15. Posez le pistolet du distributeur sur le rebord du réservoir ou du bidon pour faire le plein et ne le bloquez pas en position ouverte.

REMORQUAGE

1. Les rampes doivent être bien attachées à la remorque lorsque vous chargez ou déchargez la tondeuse.
2. Soyez très prudent lorsque vous chargez ou déchargez l'appareil d'une remorque ou d'un camion. N'allumez pas le moteur pour charger ou décharger plus facilement. Vous risquez de renverser la tondeuse en chutant de la rampe et de vous blesser grièvement. Chargez ou déchargez votre tondeuse moteur éteint.
3. Réglez le plateau de coupe à la position la plus haute.

REMORQUAGE

1. Ne remorquez pas de charges supérieures à 113 kilogrammes (250 livres). Le poids exercé sur l'attache de remorque ne doit pas dépasser 22 kilogrammes (50 livres).
2. N'attelez la remorque qu'au point d'attache prévu à cet effet.
3. Ne laissez personne monter sur l'équipement remorqué, en particulier des enfants.
4. Ne vous engagez pas sur les pentes supérieures à 5° (9 %). Lorsque vous remorquez un équipement sur une pente, la traction des pneus peut être réduite et il est plus facile de perdre le contrôle de la tondeuse.
5. Faites attention, car votre tondeuse à rayon de braquage zéro peut effectuer des virages très serrés. Si vous remorquez un accessoire, vous risquez une mise en portefeuille. Prenez des tournants larges !
6. N'allez pas trop vite et n'attendez pas le dernier moment pour freiner ou vous arrêter.

ENTRETIEN

1. Gardez la tondeuse en bon état de fonctionnement. Vous devez remplacer les pièces usées ou endommagées avant de vous servir de l'appareil.
2. Un accident grave ou fatal peut résulter d'une modification du moteur, quelle qu'elle soit. Toute modification apportée au régulateur de vitesse peut provoquer l'emballement du moteur et accélérer dangereusement sa vitesse en état de marche. Ne modifiez jamais cet élément et ne faites pas tourner le moteur à une vitesse excessive. Le régulateur maintient le moteur au meilleur régime.
3. Les lames sont très tranchantes et doivent être manipulées prudemment. Enveloppez-les dans un chiffon ou portez des gants.
4. Le liquide des pompes hydrauliques et des systèmes d'alimentation par injection des tracteurs est sous pression. Le liquide hydraulique qui s'échappe sous haute pression peut pénétrer dans la peau et entraîner de graves blessures. Si un tel liquide entre en contact avec votre peau, obtenez immédiatement des soins médicaux. Tenez les mains et toute autre partie du corps éloignées des trous et des buses; le liquide hydraulique peut s'échapper. S'il y a une fuite, faites inspecter l'appareil dans un centre de service agréé.
5. Avant de nettoyer, de réparer ou d'examiner votre tondeuse, vérifiez que les lames et autres pièces mobiles sont à l'arrêt. Arrêtez le moteur, retirez la clé de contact, débranchez le fil de bougie et mettez-le à la masse contre le moteur pour empêcher un démarrage accidentel.
6. Vérifiez régulièrement que les lames sont immobilisées dans les cinq secondes qui suivent le débrayage des lames. Consultez le Programme d'entretien dans la section Entretien de ce manuel. Vérifiez avec un chronomètre. Si ce n'est pas le cas, confiez votre tondeuse à un concessionnaire agréé pour y remédier.
7. Surveillez également le système de verrouillage de sécurité selon le Programme d'entretien dans la section Entretien de ce manuel. Si ce système ne fonctionne plus correctement, faites-le réparer par un centre de service agréé.
8. Ne modifiez jamais le système de verrouillage de sécurité et les autres dispositifs de sécurité et vérifiez régulièrement qu'ils fonctionnent bien.
9. Vérifiez le serrage des lames et des boulons de montage du moteur selon le Programme d'entretien. Pensez à vérifier l'état des lames. Si elles sont émoussées, tordues ou fissurées, remplacez-les par des lames d'origine.
10. Attention : pour obtenir le meilleur de votre tondeuse et éviter les accidents dus à des pièces non conformes aux spécifications du fabricant, remplacez-les par des pièces d'origine.

CONSIGNES DE SÉCURITÉ

11. Assurez-vous régulièrement que tous les écrous, boulons et vis sont bien serrés et en bon état. Consultez le Programme d'entretien pour plus d'informations concernant l'entretien de l'appareil.
12. Si vous heurtez un objet, arrêtez immédiatement le moteur, débranchez les fils de bougie et le câble négatif de la batterie pour empêcher un démarrage accidentel. Vérifiez l'état de la tondeuse et ne la redémarrez pas si elle est endommagée.
13. Arrêtez impérativement le moteur avant d'effectuer un réglage ou une réparation.
14. Quand le sac récupérateur ou le couvercle d'éjection sont usés ou cassés, les lames peuvent se trouver exposées, ce qui est dangereux et augmente le risque de blessures à cause de projections. Par mesure de sécurité, vérifiez souvent ces éléments. Si nécessaire, utilisez des pièces d'origine pour les remplacer.
15. Les avertissements figurant sur vos équipements doivent toujours être lisibles. Remplacez-les si ce n'est plus le cas.
16. Respectez la législation sur l'élimination des déchets liquides (essence, huile, etc.) afin de préserver l'environnement.

AVIS CONCERNANT LES ÉMISSIONS

Les moteurs certifiés conformes aux normes d'émission de l'Agence américaine de protection de l'environnement (EPA) pour équipements hors route (Small Off Road Equipment) sont conçus pour fonctionner à l'essence ordinaire sans plomb et peuvent être dotés des dispositifs antipollution suivants : modification du moteur (EM) et convertisseur catalytique à trois voies (TWC).

Certains modèles sont équipés de conduites et réservoirs à perméation faible pour limiter les émissions par évaporation. Si vous désirez savoir de quels dispositifs votre modèle est équipé, contactez notre service de soutien technique.

PARE-ÉTINCELLES

AVERTISSEMENT

Ce tracteur est équipé d'un moteur à combustion interne et ne doit pas être utilisé sur un terrain boisé non entretenu ou sur un terrain couvert de broussailles ou d'herbe à moins que le système d'échappement du moteur ne soit muni d'un pare-étincelles, conformément aux lois et règlements provinciaux ou locaux (le cas échéant).







Si un pare-étincelles est utilisé, il doit être maintenu en bon état de fonctionnement par l'opérateur. Les lois fédérales sont en vigueur sur les terres fédérales, les États peuvent avoir des lois individuelles.

Vous pouvez vous procurer un pare-étincelles pour le silencieux auprès d'un centre de service agréé ou en contactant le service à la clientèle, B. P. 361131, Cleveland, Ohio 44136-0019.

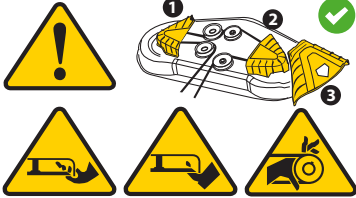

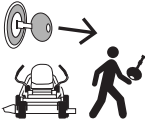
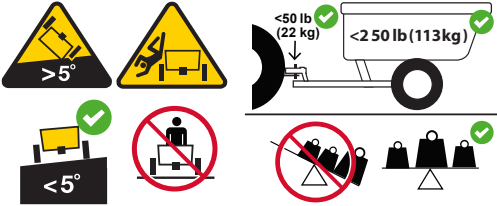
CONSIGNES DE SÉCURITÉ

SIGNIFICATION DES SYMBOLES

Vous trouverez ci-dessous les symboles de sécurité qui peuvent se trouver sur votre appareil.

Symbole	Description
 <p data-bbox="236 400 408 424">OPESymbol.com</p>	<p>AVERTISSEMENT - LISEZ LE MANUEL DE L'UTILISATEUR - Veuillez lire toutes les consignes de sécurité et toutes les instructions de ce manuel avant d'utiliser l'appareil afin d'écartier tout risque d'accident et de blessure. Conservez ce manuel en lieu sûr pour pouvoir le consulter ultérieurement et pour pouvoir commander des pièces de rechange. Balayez le code QR avec un téléphone pour avoir plus d'informations sur les avertissements. Le site www.OPESymbol.com offre aussi des renseignements à ce sujet.</p>
	<p>AVERTISSEMENT - RISQUE D'OBJETS PROJÉTÉS - Ne permettez à personne de s'approcher à moins de 23 mètres (75 pieds) de l'appareil en marche. Ramassez les pierres, brindilles, fils, os, jouets et autres objets qui pourraient être projetés ou sur lesquels vous pourriez trébucher. Il est dangereux d'utiliser cette tondeuse sans son déflecteur d'éjection, ou avec un déflecteur endommagé.</p>
	<p>AVERTISSEMENT - RISQUE D'ÉCRASEMENT OU DE LAME TRANCHANTE - Avant de reculer, retournez-vous pour vérifier soigneusement qu'il n'y a personne derrière la tondeuse. Ne laissez pas les enfants monter sur la tondeuse lorsque le moteur est en marche, même si les lames sont débrayées. Les enfants doivent être sous la surveillance d'un adulte autre que l'utilisateur de l'appareil et ne doivent pas s'approcher de la zone de travail. Coupez le moteur dès que quelqu'un s'approche.</p>
	<p>AVERTISSEMENT - RISQUE DE RENVERSEMENT - N'utilisez pas cet appareil sur une pente de plus de 15° (25 %). Ne tondez pas en montant ou en descendant des pentes; tondez seulement des pentes inférieures à 15° (25 %). Utilisez des vitesses faibles et évitez d'effectuer des virages brusques sur des pentes. Restez à au moins 3 m (10 pi) des dénivellations, des fossés, des talus ou du bord de l'eau.</p>
	<p>AVERTISSEMENT - RISQUE D'INCENDIE - Cet appareil est conçu pour une utilisation non-professionnelle. Il peut tondre un gazon de 25 cm (10 pouces) de haut au maximum. Il n'est pas fait pour tondre les hautes herbes (par ex. dans un pré) ou pour déchiqueter des tas de feuilles mortes. Laissez l'appareil refroidir pendant au moins cinq minutes avant de faire le plein ou de le remiser.</p>
	<p>AVERTISSEMENT - RISQUE D'AMPUTATION - N'approchez pas les pieds ou les mains ni des lames, ni du dessous du plateau de coupe : vous pourriez vous blesser grièvement, au point de devoir subir une amputation.</p>

CONSIGNES DE SÉCURITÉ

Symbole	Description
	<p>AVERTISSEMENT - RISQUE D'AMPUTATION - N'approchez pas les pieds ou les mains ni des lames, ni du dessous du plateau de coupe : vous pourriez vous blesser grièvement, au point de devoir subir une amputation. Gardez les dispositifs de sécurité (protections, interrupteurs, etc.) en place et en bon état de fonctionnement. Vous pourriez vous blesser avec les courroies et la fusée de la lame.</p>
	<p>AVERTISSEMENT - RISQUE DE BLESSURE PAR ÉCRASEMENT OU PAR PINCEMENT - Veuillez lire toutes les consignes de sécurité et toutes les instructions de ce manuel avant d'utiliser l'appareil. Certains modèles sont dotés d'un système de relevage du plateau de coupe contrôlé par pédale. Ce système est doté d'un ressort qui est sous tension. Placez ce système de relevage à la position verrouillée avant de retirer le plateau de coupe.</p>
	<p>AVERTISSEMENT - RETRAIT DE LA CLÉ DE CONTACT - Avant de descendre de la tondeuse, débrayez les lames, poussez les barres de conduite à fond vers l'extérieur pour engager le frein de stationnement, coupez le moteur et retirez la clé de contact. Arrêtez le moteur et retirez la clé de contact si vous laissez l'appareil sans surveillance.</p>
	<p>AVERTISSEMENT - RISQUE DE BLESSURES PENDANT LE REMORQUAGE - Ne remorquez pas de charges supérieures à 113 kg (250 lb). Le poids exercé sur l'attache de remorque ne doit pas dépasser 22 kg (50 lb). Ne laissez personne monter sur l'équipement remorqué, en particulier des enfants. Ne vous engagez pas sur les pentes supérieures à 5° (9 %). Lorsque vous remorquez un équipement sur une pente, la traction des pneus peut être réduite et il est plus facile de perdre le contrôle de la tondeuse. N'allez pas trop vite et n'attendez pas le dernier moment pour freiner ou vous arrêter.</p>

⚠ AVERTISSEMENT

Il est de votre responsabilité de vous assurer que seules des personnes capables de lire, de comprendre et de respecter les consignes de sécurité figurant sur le moteur et dans cette notice utilisent votre appareil. - CONSERVEZ CES INSTRUCTIONS !

PRÉPARATION

NOTE : Ce manuel de l'opérateur couvre plusieurs modèles. Les fonctionnalités du tracteur peuvent varier selon le modèle. Les fonctionnalités trouvées dans le présent manuel ne s'appliquent pas à tous les modèles de tracteur. Le modèle de tracteur représenté peut être différent du vôtre.

NOTE : Toutes les références trouvées dans le présent manuel aux côtés gauche ou droit et à l'avant ou à l'arrière du tracteur sont uniquement à partir du poste de l'opérateur. Les exceptions, le cas échéant, seront précisées.

PRÉPARATION

Retirez l'adaptateur de la buse du système de lavage du plateau de coupe (si équipé) du sac manuel et rangez-le pour un usage ultérieur.

Déplacer manuellement le tracteur

Pour plus d'informations, reportez-vous à la section G. Tiges de dérivation de la transmission à la page 89.

TRANSMISSION HYDRO-GEAR® (SUR CERTAINS MODÈLES)

1. Pour engager les goupilles de dérivation de transmission, tirez la goupille vers l'arrière (a), puis insérez-la dans la section inférieure de la fente en forme de « J » (b). Répétez cette étape du côté opposé (Fig. 1).

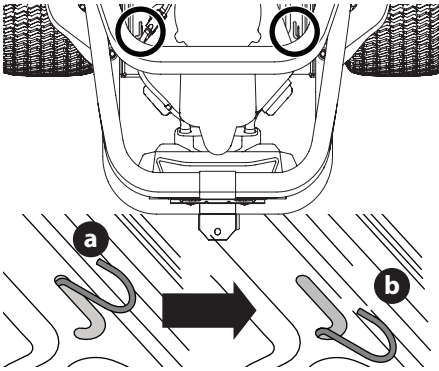


Fig. 1

2. Après avoir déplacé le tracteur, inversez la première étape pour dégager les goupilles de dérivation.

TRANSMISSION TUFF TORO® (SUR CERTAINS MODÈLES)

1. Tirez sur la tige pour engager la tige de dérivation. Répétez l'opération pour l'autre côté (Fig. 2).

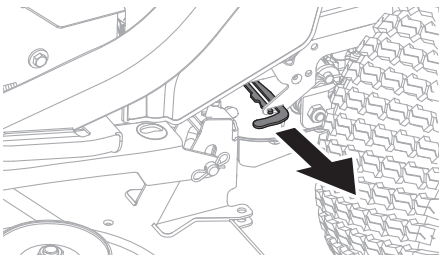


Fig. 2

2. Après avoir déplacé l'appareil, effectuez les instructions de l'étape 1 dans l'ordre inverse pour désengager les deux tiges de dérivation.

Installez l'attelage (le cas échéant)

1. Localisez l'attelage (a) et installez-le à l'arrière du châssis à l'aide des deux vis à bride hexagonales (b) fournies (Fig. 3).

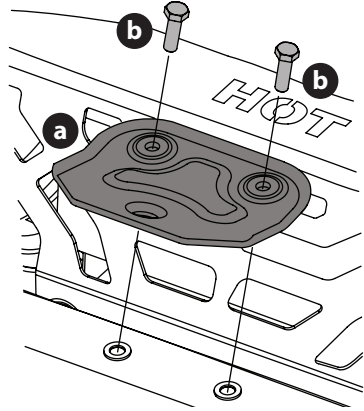


Fig. 3

NOTE : L'attelage et les vis à bride hexagonales constitueront la trousse de matériel.

Repositionnez le cerceau supérieur (le cas échéant)

Le cerceau supérieur peut être positionné vers le bas à des fins d'expédition :

1. Retirez les deux vis à bride hexagonales (a) partiellement installées sur le châssis (Fig. 4).

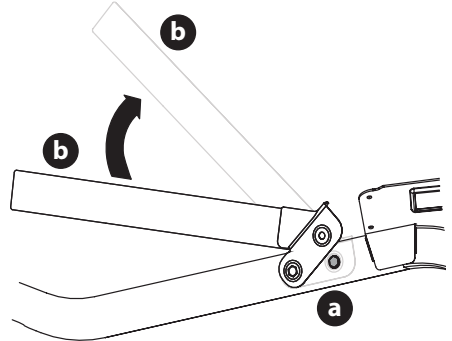


Fig. 4

2. Faites pivoter le cerceau supérieur (b) pour le mettre en position appropriée (Fig. 4).
3. Fixez le cerceau en place à l'aide des vis à bride hexagonales que vous avez retirées lors de l'étape 1. Serrez les vis à bride hexagonales entre 18 et 27 N-m (159 et 239 po-lb).

INSTALLEZ LE SIÈGE DE L'OPÉRATEUR

Réglage du bouton ou du levier

1. Coupez toutes les sangles retenant l'ensemble du siège au tracteur. Retirez tout le matériel d'emballage.

NOTE : Veillez à ne pas couper le faisceau de fils du siège.

2. Installez le siège sur le plateau du siège (a) à l'aide du matériel fourni (Fig. 5).
 - a. Pour le bouton d'ajustement du siège : insérez les boulons (b) dans les trous arrière et la rondelle de blocage (c) et les boutons (d) dans les trous avant. Serrez solidement (Fig. 5).

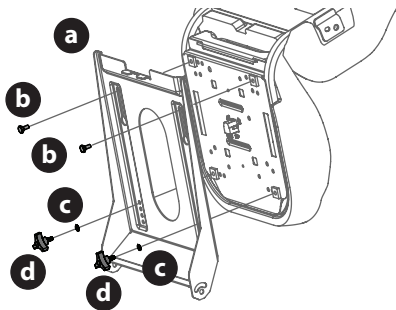


Fig. 5

- b. Pour le levier d'ajustement du siège : utilisez les écrous de blocage à bride (a) et les rondelles plates (b) (Fig. 6).

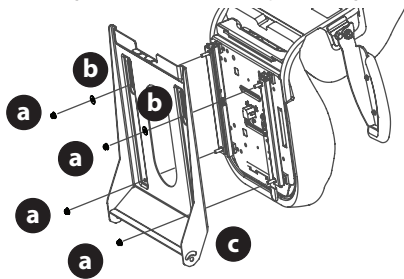


Fig. 6

3. Si nécessaire, connectez en toute sécurité le faisceau de fils du commutateur du siège (a) au commutateur du siège (b) (Fig. 7). Éloignez en toute sécurité l'excédent de fil des points de pincement avant de continuer.

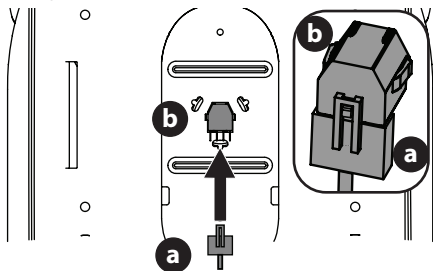


Fig. 7

NOTE : Le tracteur ne fonctionnera pas si le faisceau de fils du commutateur du siège n'est pas connecté.

POSITIONNEZ LES LEVIERS DE COMMANDE DE TRANSMISSION DES BARRES DE CONDUITE

Les leviers de commande de transmission des barres de conduite peuvent être ajustés vers le haut, vers le bas pour le confort de l'opérateur. Deux positions de hauteur sont disponibles.

Pour régler la hauteur du levier de commande de transmission des barres de conduite, procédez comme suit :

1. Retirez les deux vis de carrosserie (a) et les deux écrous de blocage à bride (b) qui fixent le levier de commande de transmission des barres de conduite (c) au dispositif de réglage de la poignée supérieure (d) (Fig. 8).

NOTE : Vous pouvez utiliser l'outil multiple (le cas échéant) pour effectuer ce réglage.

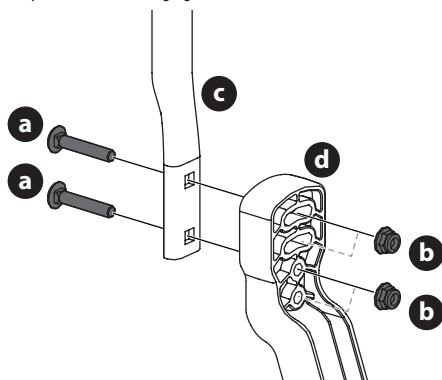


Fig. 8

2. Déplacez le levier de commande de transmission des barres de conduite vers l'une des deux hauteurs disponibles et fixez-le à l'aide des vis de carrosserie (a) et des écrous de blocage à bride (b) (Fig. 8).

DÉFLECTEUR DE LA GOULOTTE D'ÉJECTION DU PLATEAU INFÉRIEUR

⚠ AVERTISSEMENT

Ne jamais utiliser le carter de tondeuse sans le déflecteur de goulotte installé et en position basse.

Installez le support de goulotte (le cas échéant)

1. Retirez les clés attachées au support de la goulotte d'éjection à l'aide d'une attache mono-usage.
2. Retirez l'écrou de blocage à bride et la vis à tête hexagonale du plateau.

- Placez le déflecteur de la goulotte d'éjection sur le plateau, veillez à insérer les languettes du déflecteur de la goulotte d'éjection dans les orifices du plateau (Fig. 9).

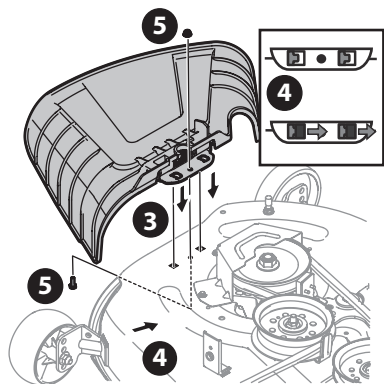


Fig. 9

- Faites glisser le déflecteur de la goulotte d'éjection vers l'arrière du tracteur jusqu'à ce que le trou de boulon du déflecteur de la goulotte d'éjection soit dans l'alignement du trou du plateau (Fig. 9).
- Fixez le déflecteur de la goulotte d'éjection à l'aide de l'écrou de blocage à bride et de la vis à tête hexagonale que vous aviez retirés lors de l'étape deux. Serrez entre 12 et 14 N·m (102 et 124 po·lb). Passez directement au chapitre Réglage des roulettes de terrage avant (le cas échéant).

Retirez le support d'arrêt (le cas échéant)

- La goulotte d'éjection est livrée attachée et avec un support d'arrêt la maintenant en position verticale. Vous devez retirer les supports d'arrêt avant d'utiliser le tracteur.
- Soulevez le déflecteur de la goulotte d'éjection afin de pouvoir dégager et retirer le support d'arrêt. Abaissez le déflecteur de la goulotte d'éjection et jetez le support d'arrêt (Fig. 10).

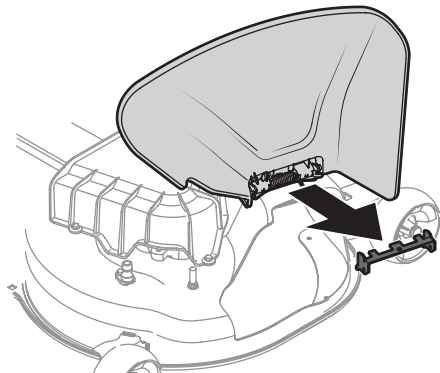


Fig. 10

RÉGLAGE DES ROULETTES DE TERRAGE AVANT (LE CAS ÉCHÉANT)

NOTE : Les roues du plateau permettent d'éviter d'arracher l'herbe, mais elles ne sont pas conçues pour supporter le poids du plateau de coupe.

- Déplacez le tracteur vers une surface plane, de préférence un trottoir.
- Vérifiez la pression des pneus, puis ajustez-la si nécessaire. Les pressions de gonflage sont indiquées sur le flanc des pneus.
- Assurez-vous que le plateau est à niveau latéralement et correctement incliné. Consultez le chapitre Entretien où vous trouverez des renseignements pour le nivellement du plateau ainsi que des instructions.
- Placez le levier, le bouton ou la goupille de levage du plateau dans la position de hauteur de coupe souhaitée.
- Vérifiez que les roues du plateau sont en contact avec le sol ou si le dégagement est important.

NOTE : Les roues du plateau doivent avoir un dégagement de 6,35 à 12,7 mm (1/4 à 1/2 po) au dessus du sol.

- Retirez le l'écrou de blocage (a) la roulette de terrage (b) et la vis à épaulement (c) du plateau (Fig. 11).

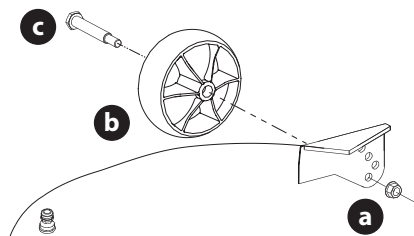


Fig. 11

- Insérez la vis à épaulement dans l'un des quatre trous d'indexage du support de la roulette de terrage avant. Permettre un dégagement de 6,35 à 12,7 mm (1/4-1/2 po) entre le sol et la roulette de terrage.
- Marquez le trou d'indexage utilisé sur la roulette précédemment ajustée. Refaites le réglage du côté opposé pour aligner les deux roulettes de terrage.

NOTE : Consultez le chapitre Réglages de ce manuel pour en savoir plus.

RENSEIGNEMENTS SUR LA BATTERIE

⚠ AVERTISSEMENT

En cas d'éclaboussures accidentelles d'électrolyte dans les yeux ou sur la peau, rincez-les immédiatement avec de l'eau propre et froide. Consultez rapidement un médecin.

Si l'électrolyte se répand sur vos vêtements, lavez-les à l'eau froide. Neutralisez ensuite l'électrolyte avec une solution d'ammoniac et d'eau ou une solution de bicarbonate de soude et d'eau.

Ne branchez (et ne débranchez) JAMAIS les pinces du chargeur de batterie lorsque le chargeur est sous tension, car cela peut provoquer des étincelles.

Gardez la batterie loin des flammes et des sources d'étincelles (cigarettes, allumettes, briquets). Les gaz produits pendant la charge sont inflammables.

Par mesure de précaution supplémentaire, chargez toujours la batterie dans un endroit aéré.

Prenez soin de protéger vos yeux, votre peau et vos vêtements lorsque vous manipulez une batterie.

Les batteries contiennent de l'acide sulfurique et peuvent dégager des gaz explosifs. Soyez très prudent lorsque vous manipulez une batterie. Gardez les batteries hors de portée des enfants.

Une mauvaise manipulation de la batterie pourrait causer un incendie ou une brûlure chimique. N'ouvrez pas, ne démontez pas, ne surchauffez pas et ne brûlez pas la batterie.

⚠ ATTENTION

Branchez toujours le câble POSITIF (rouge) à sa borne avant de brancher le câble NÉGATIF (noir).

NOTE : La borne positive de la batterie est marquée Pos. (+). La borne négative de la batterie est marquée Neg. (-).

Branchement des câbles de la batterie

⚠ AVERTISSEMENT

Branchez toujours le câble positif (rouge) à la batterie avant de brancher le câble négatif (noir) pour éviter toute formation d'étincelles et toute blessure en cas de court-circuit causé par le contact des outils avec l'appareil.

Pour des raisons d'expédition, l'usine peut laisser les deux câbles de batterie déconnectés des bornes. Pour brancher les câbles de la batterie, procédez comme suit :

NOTE : Le faisceau électrique doit être placé au-dessus de la barre de retenue de la batterie. Autrement, il risque d'être endommagé (Fig. 15 à la page 87).

MODÈLES DOTÉS D'UNE BATTERIE AU PLOMB

1. Le cas échéant, retirez le cache en plastique de la borne positive de la batterie. Branchez le connecteur rouge sur la borne positive de la batterie (+) à l'aide du boulon (a) et de l'écrou hexagonal (b) (Fig. 12).
2. Déposez la protection en caoutchouc rouge (c) sur la borne positive de la batterie pour la protéger contre la corrosion (Fig. 12).
3. Le cas échéant, retirez le cache en plastique de la borne négative de la batterie, puis branchez le câble noir la borne négative de la batterie (-) à l'aide du boulon (a) et de l'écrou hexagonal (b) (Fig. 12).

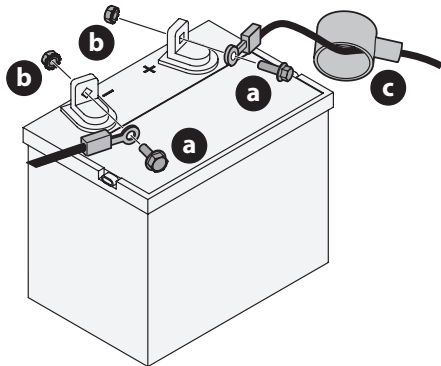


Fig. 12

NOTE : Si la batterie est mise en service après la date indiquée sur le dessus ou le côté de la batterie, rechargez-la comme indiqué dans le chapitre Chargement de la batterie avant d'utiliser le tracteur.

MODÈLES DOTÉS D'UNE BATTERIE AGM

1. Retirez les boulons hexagonaux (a) et les écrous carrés (b) situés à l'extrémité du faisceau de fils électrique ou dans le sac avec ce manuel. Gardez la quincaillerie pour utilisation ultérieure (Fig. 13 à la page 86).
2. Enlevez le couvercle en plastique (c), si équipé, de la borne positive (d) de la batterie et attachez le câble rouge (e) à la borne positive (b) de la batterie avec le boulon (a) et l'écrou carré (b) retirés à l'étape 1. Utiliser un tournevis Philips (Fig. 13 à la page 86).
3. Placez la gaine en caoutchouc rouge au-dessus de la borne positive de la batterie pour aider à la protéger contre la corrosion (encadré de la Fig. 13 à la page 86).
4. Enlevez le couvercle en plastique (c), si équipé, de la borne négative de la batterie (f) et attachez le câble noir (g) à la borne négative de la batterie (f) avec le boulon (a) et l'écrou carré (b) (Fig. 13 à la page 86).

PRÉPARATION

NOTE : Si la batterie est mise en service après la date indiquée sur le dessus ou le côté de la batterie, rechargez-la comme indiqué dans le chapitre Chargement de la batterie avant d'utiliser le tracteur.

- Rechargez la batterie avant de la remettre en service. Même si le moteur démarre, son système de charge pourrait ne pas recharger complètement la batterie.

Dépose de la batterie

⚠ AVERTISSEMENT

Les bornes et les cosses de batterie ainsi que les accessoires connexes contiennent du plomb et des composés de plomb. Lavez-vous les mains après toute manipulation.

La batterie est située sous le châssis du siège. Pour enlever la batterie :

MODÈLES DOTÉS D'UNE BATTERIE AU PLOMB

- Retirez la vis d'assemblage à tête hexagonale et l'écrou à bride fixant le câble négatif noir au plot négatif de la batterie (marqué NEG (-)). Éloignez le câble du plot négatif de la batterie.
- Retirez la vis d'assemblage à tête hexagonale et l'écrou à bride fixant le câble positif rouge au plot positif de la batterie (marqué POS (+)).
- Retirez la vis à bride hexagonale (a) fixant le support de fixation de la batterie (b) au châssis. Relevez ensuite le support de fixation de la batterie (b) pour dégager la batterie (Fig. 14).

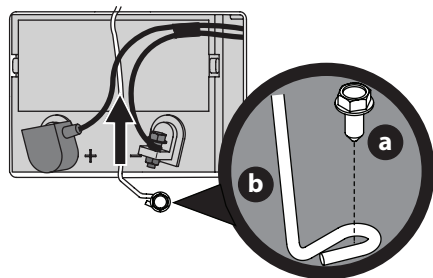


Fig. 14

- Retirez la batterie du tracteur en la soulevant prudemment.
- Reposez la batterie en répétant les étapes précédentes dans l'ordre inverse.

MODÈLES DOTÉS D'UNE BATTERIE AGM

- Retirez le boulon et l'écrou qui fixent le câble négatif (noir) à la borne négative (indiquée NEG (-)). Placez le câble loin de la borne négative.
- Retirez le boulon et l'écrou qui fixent le câble positif (rouge) à la borne positive de la batterie (indiquée POS (+)).

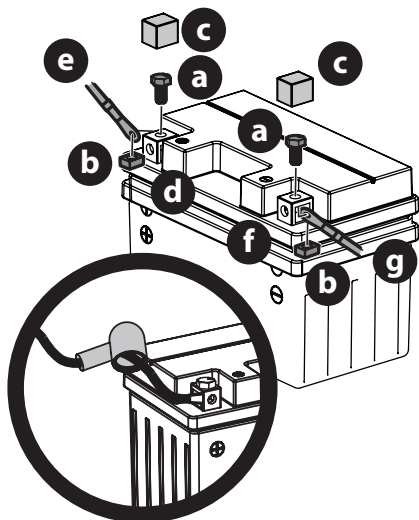


Fig. 13

Entretien de la batterie

- Certaines batteries sont remplies d'acide de batterie, puis scellées à l'usine. Cependant, même une batterie « sans entretien » nécessite un certain entretien pour assurer tout son cycle de vie.
- Pulvérisez un scellant pour borne de batterie sur les bornes et le fil dénudé ou enduisez-les d'une fine couche de graisse ou de vaseline pour les protéger contre la corrosion.
- Conservez toujours les câbles et les bornes de batterie propres et sans corrosion.
- Certains modèles sont équipés d'une batterie à électrolyte liquide. Manipulez la batterie avec soin et ne la renversez pas pour empêcher une fuite de liquide.

Stockage de la batterie

- Lors du remisage du tracteur pendant des périodes prolongées, déconnectez le câble négatif de la batterie. Il n'est pas nécessaire d'enlever la batterie.
- Toutes les batteries se déchargent pendant le remisage du tracteur. Maintenez l'extérieur de la batterie propre, en particulier le dessus. Une batterie sale se déchargera plus rapidement.
- Veillez à charger la batterie complètement avant de la stocker. Une batterie déchargée peut geler plus rapidement qu'une batterie chargée. Une batterie complètement chargée pourra être stockée plus longtemps à des températures froides.

3. Retirez le boulon hexagonal (a) qui fixe la tige de retenue de la batterie (b) au châssis. Faites pivoter la tige de retenue de la batterie (b) vers le haut et retirez la batterie (Fig. 15).

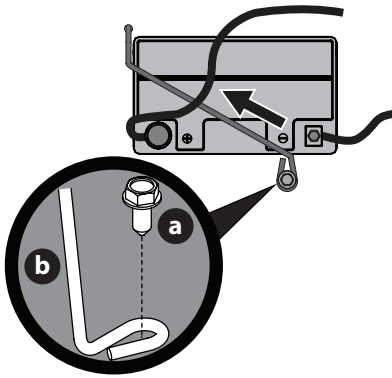


Fig. 15

4. Enlevez la batterie avec précaution.
5. Pour installer la batterie, suivez les étapes ci-dessus dans l'ordre inverse.

Chargement de la batterie

Si l'appareil a été remis en service pendant une longue période, vérifiez la batterie et rechargez-la au besoin.

MODÈLES DOTÉS D'UNE BATTERIE AU PLOMB

- Si le voltmètre, ou le testeur de charge, indique 12,4 V (DC) ou moins aux bornes de batterie, la batterie doit être rechargée.
- Vous devez utiliser un chargeur pour batterie au plomb. Le niveau de charge recommandé est de 4 A / 14,7 V.
- Si le chargeur est automatique, chargez la batterie jusqu'à ce que l'indicateur du chargeur indique que la batterie est complètement chargée. Si le chargeur n'est pas automatique, chargez la batterie pendant au moins huit (8) heures.

MODÈLES DOTÉS D'UNE BATTERIE AGM

- Vous devez utiliser un chargeur pour batterie AGM. Le niveau de charge recommandé est de 1,1 A / 14,8 V.

IMPORTANT! N'utilisez pas de chargeur pour automobile.

- Si le chargeur est automatique, chargez la batterie jusqu'à ce que l'indicateur du chargeur indique que la batterie est complètement chargée. Si le chargeur n'est pas automatique, chargez la batterie pendant au moins huit (8) heures.

RÉGLAGE DU SIÈGE

Bouton de réglage

1. Retirez les boutons (a) (Fig. 16).
2. Faites glisser le siège vers le haut ou le bas dans la position souhaitée.
3. Remplacez les boutons dans l'un des quatre trous et serrez solidement (Fig. 16).

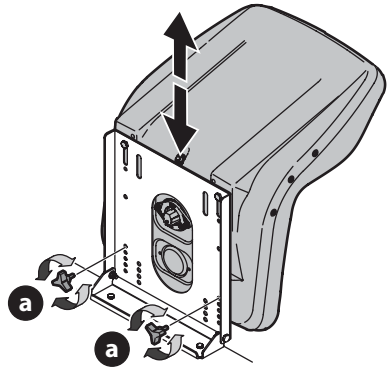


Fig. 16

Réglage du levier

1. Poussez à gauche et maintenez le levier de réglage du siège pour régler la position du siège.
2. Faites glisser le siège vers l'avant ou vers l'arrière jusqu'à la position souhaitée.
3. Relâchez le levier de réglage. Assurez-vous que le siège est bien verrouillé dans la position souhaitée avant de l'utiliser (Fig. 17).

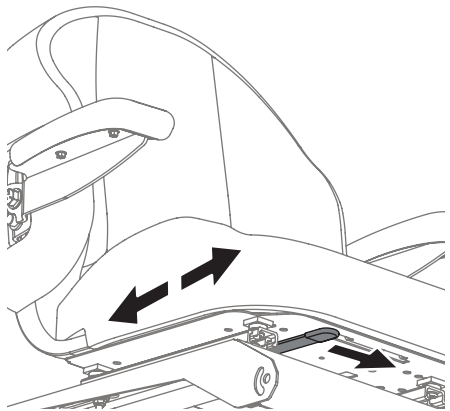


Fig. 17

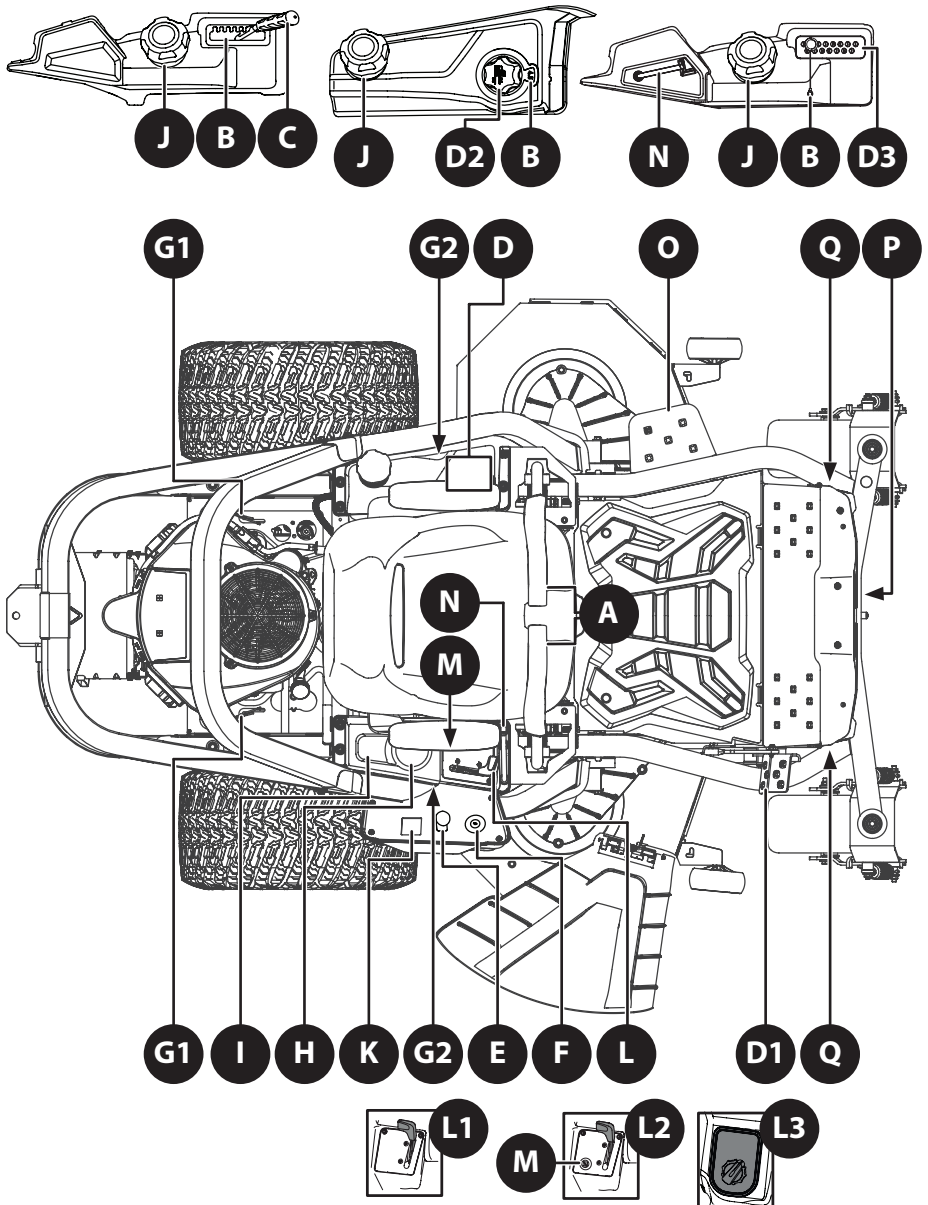


Fig. 18

NOTE : Ce manuel de l'opérateur couvre plusieurs modèles. Les fonctionnalités du tracteur peuvent varier selon le modèle. Ce ne sont pas toutes les fonctionnalités qui s'appliquent à tous les modèles. Le modèle représenté peut différer du vôtre.

NOTE : Toutes les références trouvées dans le présent manuel aux côtés gauche ou droit et à l'avant ou à l'arrière du tracteur sont uniquement à partir du poste de l'opérateur. Les exceptions, le cas échéant, seront précisées.

A. LEVIERS DE COMMANDE DE LA BARRE ABDOMINALE

Les leviers de commande de la barre de direction droite (main droite) et gauche (main gauche) sont situés de chaque côté du siège de l'opérateur. Les leviers articulés pivotent vers l'extérieur pour permettre à l'opérateur de s'asseoir sur le siège ou de descendre. Pour démarrer le moteur du tracteur,

les leviers de commande de la barre abdominale doivent être complètement sortis et en position de stationnement. Lorsque les leviers de commande d'entraînement de la barre abdominale sont complètement à l'extérieur, le frein de stationnement est engagé.

Chaque levier de contrôle commande la transmission correspondante. Par conséquent, ces leviers contrôlent tous les mouvements du tracteur. Conduire et diriger à l'aide de ces leviers de commande est assez différent d'un tracteur conventionnel et sa mise en pratique sera difficile à maîtriser. Reportez-vous à la section Conduire le tracteur pour en savoir plus.

B. INDICE DE HAUTEUR DE PLATEAU DE COUPE

Si équipé d'un manche élévateur de plateau de coupe : Chaque encoche d'indice de hauteur correspond à un changement de hauteur du plateau de coupe d'environ 12,7 mm (1/2 po) (le point C de la Fig. 18).

Si équipé d'une pédale d'élévation de plateau de coupe et d'un bouton :

Chaque rotation représente un changement de hauteur du plateau de coupe de 6,35 mm (1/4 po). Les positions vont de 2,5 cm (1 po) à 11,4 cm (4,5 po) au point le plus élevé (D1 et D2 à la Fig. 18).

Si dotée d'une pédale de relevage du plateau de coupe et d'une goupille aimantée à 15 positions :

Les positions vont de 2,5 cm (1 po) à 11,4 cm (4,5 po) au point le plus élevé (D1 et D3 à la Fig. 18).

C. MANCHE DE LEVAGE DU PLATEAU DE COUPE (LE CAS ÉCHÉANT)

Le manche de levage du plateau sert à relever et à abaisser le plateau de coupe de la tondeuse. Pour abaisser le plateau de coupe, tirez le manche de levage vers la droite pour le sortir de l'encoche et poussez-le vers le bas. Pour lever le plateau de coupe, tirez vers le haut. Assurez-vous que le manche est entièrement positionné dans l'encoche de hauteur lorsque la hauteur souhaitée est atteinte.

D. RELEVAGE DU PLATEAU DE COUPE

1. Pédale de levage du plateau de coupe (le cas échéant) - La pédale de relevage est placée à l'avant droit du marchepied. Utilisez cette pédale et le bouton de réglage (si présent) ou la goupille aimantée à 15 positions (si présente) pour relever et abaisser le plateau de coupe. Pressez sur la pédale, tournez le bouton ou placez la goupille aimantée à la hauteur de coupe désirée et relâchez la pédale.

2. Bouton de levage du plateau de coupe (le cas échéant) - Le bouton de levage du plateau est utilisé avec la pédale de levage du plateau (si présent) pour lever et abaisser le plateau de coupe. Appuyez sur la pédale de levage du plateau de coupe, tournez le bouton de levage

du plateau de coupe à la hauteur souhaitée et relâchez la pédale.

3. Goupille aimantée à 15 positions (le cas échéant)

- Utilisez la goupille aimantée à 15 positions avec la pédale de relevage (si présent) pour relever et abaisser le plateau de coupe. Pressez sur la pédale, placez la goupille aimantée à la hauteur de coupe désirée et relâchez la pédale.

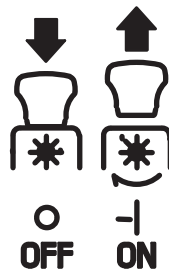
IMPORTANT! Veillez à ce que la goupille magnétique soit correctement enfoncée.

NOTE : La hauteur du plateau de coupe sera en fonction de la pression exercée sur la pédale de relevage. Plus vous appuyez sur la pédale, plus vous relevez le plateau.

E. PRISE DE FORCE (PDF)

Prise de force électrique (le cas échéant)

Le commutateur de PDF commande l'embrayage électrique de la prise de force, monté à la base du vilebrequin du moteur. Tirez sur le bouton du commutateur vers le haut pour embrayer la PDF, ou poussez le bouton vers le bas pour la débrayer.



Le commutateur de PDF doit être en position « débrayée » lors du démarrage du moteur.

F. MODULE DU COMMUTATEUR D'ALLUMAGE

⚠ AVERTISSEMENT

Ne laissez jamais votre appareil en marche sans surveillance. Débrayez toujours la prise de force, engagez le frein de stationnement, arrêtez le moteur et retirez la clé de contact pour empêcher tout démarrage accidentel.

Le contacteur d'allumage a trois positions :

STOP — Le moteur et le système électrique sont éteints.

RUN — Le système électrique de la tondeuse autoportée est sous tension.

START — Le démarreur fera tourner le moteur. Lorsque le moteur démarre, relâchez immédiatement la clé.

NOTE : Pour éviter tout démarrage accidentel ou décharge de la batterie, retirez la clé du contacteur d'allumage lorsque le tracteur n'est pas utilisé.

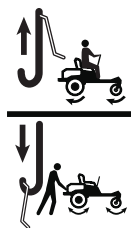
G. TIGES DE DÉRIVATION DE LA TRANSMISSION

⚠ ATTENTION

Ne remorquez jamais votre appareil. Le remorquage de l'appareil avec les roues arrière au sol peut gravement endommager la transmission.

1. Transmission Hydro-Gear® (sur certains modèles) - Les tiges de dérivation de la transmission (une pour chaque transmission droite et gauche) sont situées à l'arrière du tracteur, à côté du moteur.

Lorsqu'elles sont engagées, les deux tiges ouvrent une dérivation dans les transmissions hydrostatiques, ce qui permet au tracteur de se pousser à la main sur de courtes distances. Reportez-vous à la section Préparation pour obtenir des instructions supplémentaires.



2. Transmission Tuff Torq® (sur certains modèles) - La

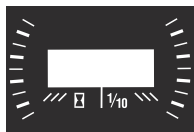
tige de dérivation de la transmission droite et celle de la transmission gauche sont placées sur les côtés de l'appareil, devant les pneus arrière et près du châssis. Lorsqu'elles sont engagées, les deux tiges permettent la dérivation des transmissions hydrostatiques et le déplacement manuel de l'appareil sur de courtes distances. Consultez le chapitre Préparation pour plus d'informations.




K. COMPTEUR HORAIRE ET AFFICHEUR DE SERVICE ACL (LE CAS ÉCHÉANT)

Le rappel de service d'entretien ACL rappellera à l'opérateur les intervalles de maintenance pour la vidange de l'huile moteur, l'entretien du filtre à air, les avertissements de bas niveau

d'huile moteur et de batterie. Lorsque la clé quitte la position d'arrêt (STOP), mais qu'elle n'est pas en position de marche (START), le compteur de service et l'indicateur de service ACL affichent brièvement la tension de la batterie, suivie des heures accumulées par le tracteur.



NOTE : Lorsque la clé de contact est en position d'arrêt (STOP), le sablier  est allumé/clignote pour indiquer qu'il enregistre les heures de fonctionnement du tracteur, que le moteur soit démarré ou non.

Vidanger l'huile

L'écran ACL alterne les lettres « CHG », suivies de « OIL », suivies de « SOON », suivies du temps accumulé par le compteur. « CHG/OIL/SOON/TIME » alternera sur l'affichage pendant 7 minutes après que le compteur ait atteint 50 heures. Cet intervalle de rappel de service d'huile aura lieu toutes les 50 heures. Avant l'expiration de l'intervalle, remplacez l'huile moteur comme indiqué dans le manuel d'utilisation du moteur.

Faible niveau d'huile

NOTE : La fonction de basse pression d'huile ne fonctionne que si le moteur est équipé d'un pressostat d'huile.

L'écran ACL alterne les lettres « LO » suivies de « OIL », suivies du temps accumulé sur le compteur, ce qui indique que le moteur a une faible pression d'huile. Ceci est courant lors du démarrage d'un moteur. L'indicateur reste actif jusqu'à ce que le moteur crée suffisamment de pression après le démarrage. S'il reste allumé alors que le moteur tournait à plein régime et après quelques minutes de fonctionnement, arrêtez immédiatement le tracteur, vérifiez le niveau d'huile moteur et ajoutez-en conformément aux instructions du manuel d'utilisation du moteur. Si le niveau d'huile est correct et que le voyant demeure allumé, communiquez avec un revendeur agréé.

Faible niveau de la batterie faible

Au démarrage, la tension de la batterie s'affiche brièvement, puis passe en heures accumulées. Les lettres « LO » suivies des lettres « BATT » s'afficheront, suivies du temps accumulé au compteur. « LO/BATT/TIME » s'affiche sur l'écran ACL lorsque la tension chute sous de 11,5 volts. Lorsque cela se produit, la batterie a besoin d'une charge ou le système de charge du moteur ne génère pas un amperage suffisant. Chargez la batterie comme indiqué dans la section Chargement de la batterie du présent manuel ou faites vérifier le système de charge par votre concessionnaire local.

H. PORTE-GOBELET

Le porte-gobelet est situé sur le dessus de la console.

I. PLATEAU DE RANGEMENT

Le plateau de rangement est situé à l'arrière de la console.

J. BOUCHON DU RÉSERVOIR D'ESSENCE

Tournez le capuchon de remplissage d'au moins deux tours dans le sens antihoraire et tirez-le vers le haut pour le retirer. Pour éviter sa perte, le bouchon d'essence est attaché au tracteur. Ne tentez pas de retirer le bouchon du tracteur. Remplissez le réservoir à 12,7 mm (1/2 po) sous le bas du goulot de remplissage, afin de laisser un espace dans le réservoir pour permettre la dilatation de carburant. Ne pas trop remplir le réservoir.

Enfoncez le bouchon sur le goulot de remplissage du réservoir de carburant et serrez d'au moins deux clics dans le sens des aiguilles d'une montre pour le serrer. N'oubliez pas de bien refermer le réservoir avec le bouchon.

AVERTISSEMENT

Ne faites jamais le plein lorsque le moteur est en marche. Si le moteur est chaud, attendez qu'il refroidisse pendant au moins cinq minutes avant de faire le plein. L'essence est inflammable et ses éclaboussures sur un moteur chaud risquent de provoquer un incendie.

Entretien du filtre à air

L'écran ACL affichera les lettres « CLN » suivies des lettres « AIR », suivies de « FILT », suivies du temps accumulé au compteur. « CLN/AIR/FILT/TIME » alternera sur l'affichage pendant 7 minutes après que le compteur aura atteint 25 heures. Cet intervalle de temps de maintenance du filtre à air aura lieu toutes les 25 heures. Aux intervalles communs avec la vidange d'huile, le message d'huile sera affiché en premier, suivi du message de filtre à air.

L. COMMANDE D'ACCÉLÉRATEUR / D'ÉTRANGLEUR, COMMANDE D'ACCÉLÉRATEUR, COMMANDE D'ACCÉLÉRATEUR ÉLECTRONIQUE

NOTE : Lorsqu'elle est réglée dans une position donnée, le moteur maintiendra une vitesse régulière.

Reportez-vous à la Fig. 18 pour identifier les commandes du tracteur :

1. Commande d'accélérateur / d'étrangleur (L1) (le cas échéant)

- Déplacez le levier d'accélérateur/d'étrangleur vers l'avant pour augmenter la vitesse. L'appareil est conçu pour fonctionner avec le levier d'accélérateur / d'étrangleur à la position RAPIDE (plein régime) lorsque l'appareil avance et le plateau de coupe est engagé. Déplacez le levier d'accélérateur/d'étrangleur vers l'arrière pour réduire le régime du moteur. Au démarrage, poussez le levier à fond vers l'avant à la position ÉTRANGLEUR (CHOKE). Lorsque le moteur est en marche, déplacez le levier vers l'arrière jusqu'à ce qu'il ait passé le point de friction. Ce levier n'est pas utilisé pour contrôler la vitesse de l'appareil, il doit être maintenu à la position rapide lorsque les lames sont embrayées.

2. Commande d'accélérateur (L2) (le cas échéant)

- Déplacez le levier d'accélérateur vers l'avant pour augmenter la vitesse. L'appareil est conçu pour fonctionner avec le levier d'accélérateur à la position RAPIDE (plein régime) lorsque l'appareil avance et le plateau de coupe est engagé. Déplacez le levier d'accélérateur vers l'arrière pour réduire le régime du moteur.

NOTE : La commande des gaz distincte doit être sur la position d'étrangement maximal lors du démarrage du moteur.

Lorsque le moteur est chaud, il se peut que l'étrangleur ne soit pas nécessaire.

3. Commande d'accélérateur électronique (L3) (le cas échéant)

- Le régime du moteur sera maintenu selon le réglage choisi. Pour augmenter le nombre de tours par minute (RPM) du moteur, tourner le bouton dans le sens horaire.

TLM (le cas échéant) - Le témoin lumineux multifonction (TLM) fournit des informations de diagnostic pour le moteur. Si le TLM s'allume et/ou clignote, consultez le manuel d'entretien ou contactez votre centre de service.

NOTE : L'étrangleur est commandé automatiquement sur les modèles équipés d'un régulateur électronique.

M. CONTRÔLE DE L'ÉTRANGLEUR (LE CAS ÉCHÉANT)

Le démarreur détermine la position de l'étrangleur du moteur. Tirez sur le bouton pour étrangler le moteur; enfoncez le bouton pour ouvrir l'étrangleur.



N. OUTIL MULTIPLE (MODÈLES D'ASCENSEURS DE PONT PIÉTONNIER UNIQUEMENT)

L'outil multiple est situé sur la console de gauche pour les modèles équipés de la goupille magnétique à 15 positions et à l'avant de la console de droite pour tous les autres modèles. L'outil multiple peut être utilisé comme verrou de levage du plateau de coupe, pour retirer le boulon de l'empattement, régler la hauteur des leviers de contrôle de la barre abdominale, régler la butée du levier de contrôle et peut être utilisé comme outil de retrait avec la douille de 1/2 po. Consulter la section Entretien pour en savoir plus sur l'utilisation des outils multiples.

O. MARCHEPIED LATÉRAL (SI ÉQUIPÉ)

Un marche-pied latéral peut être présent sur certains modèles pour faciliter l'accès à la tondeuse. S'il est présent, le marche-pied est fixé au châssis du tracteur, à gauche du panneau de plancher.

P. PHARES (LE CAS ÉCHÉANT)

Les phares sont situés à l'avant du cadre. Les phares sont allumés chaque fois que la clé de contact quitte la position d'arrêt (STOP) et ils sont éteints lorsque la clé de contact est remise en position d'arrêt (STOP).

Q. FEUX LATÉRAUX (SI ÉQUIPÉS)

Certains modèles peuvent être équipés de feux latéraux, à gauche et à droite du phare avant. Les feux latéraux s'allument dès que la clé de contact est tournée hors de la position ARRÊT et s'éteignent lorsque la clé est ramenée en position ARRÊT.

LEVIER DE RÉGLAGE DU SIÈGE (NON AFFICHÉS/LE CAS ÉCHÉANT)

Le levier de réglage du siège est situé sous le siège. Le levier de réglage du siège permet d'avancer ou de reculer le siège de l'opérateur. Reportez-vous aux instructions de Réglage du siège dans la section Préparation.

NOTE : Si votre tracteur n'est pas équipé d'un levier de réglage du siège, vous pouvez le régler à l'aide des boutons situés sous le siège. Reportez-vous aux instructions de Réglage du siège dans la section Préparation.

UTILISATION

Avant de faire fonctionner votre tracteur

- Avant de commencer, reportez-vous au Programme d'entretien situé dans le présent manuel pour connaître les éléments de maintenance planifiés.

- Ce moteur est certifié fonctionner uniquement à l'aide d'essence sans plomb propre et fraîche. Remplissez uniquement à l'aide d'essence régulière sans plomb propre et fraîche avec un taux d'octane de 87 ou plus.
- N'utilisez pas de reste d'essence de la saison précédente afin de réduire les dépôts de gomme dans le circuit de carburant.
- L'essence-alcool (jusqu'à 10 % d'alcool éthylique et 90 % d'essence sans plomb) est un carburant approuvé. Les autres mélanges d'alcool-essence ne sont pas approuvés.
- Les mélanges de méthyl-tert-butyléther (MTBE) et d'essence sans plomb (jusqu'à un maximum de 15 % de MTBE) sont des carburants approuvés. Les autres mélanges d'essence/éther en sont pas approuvés.

Système de verrouillage de sécurité

⚠ AVERTISSEMENT

N'utilisez pas l'appareil si un composant du système de verrouillage est défectueux. Ce système a été conçu pour votre sécurité et votre protection.

Ce tracteur est équipé d'un système de verrouillage de sécurité pour la protection de l'opérateur. En cas de mauvais fonctionnement du système de verrouillage, n'utilisez pas le tracteur. Consultez un atelier de réparation agréé.

- Le système de verrouillage de sécurité empêche le moteur de démarrer à moins que le frein de stationnement soit enclenché et que le bouton de la PDF est dans la position de débrayage (OFF).
- Le moteur s'arrêtera automatiquement si l'opérateur quitte le siège sans enclencher le frein de stationnement.
- Le moteur s'arrêtera automatiquement si l'opérateur quitte le siège du tracteur avec le commutateur de prise de force en position ENGAGÉE (ON), que le frein de stationnement soit engagé ou non.

Vérification des circuits de verrouillage de sécurité

Vérifiez périodiquement les circuits de verrouillage de sécurité pour vous assurer qu'ils fonctionnent correctement. Si un circuit de sécurité ne fonctionne pas comme prévu, contactez votre revendeur pour faire inspecter le tracteur. N'utilisez PAS le tracteur si un circuit de sécurité ne fonctionne pas correctement. Pour vérifier les circuits de sécurité, procédez comme suit :

1. Tirez la prise de force vers le haut jusqu'à la position ENGAGÉE (ON). Mettre momentanément le contacteur d'allumage en position de démarrage (START); le moteur ne doit pas démarrer.
2. Avec le tracteur en marche, déplacez les deux leviers de commande d'entraînement abdominale complètement vers l'intérieur, au point mort; puis soulevez-vous du siège de l'opérateur. Le moteur devrait s'arrêter.
3. Engagez la prise de force alors que les deux leviers de contrôle de la barre abdominale sont complètement à l'extérieur

lorsque le frein de stationnement est engagé. Soulevez-vous du siège de l'opérateur; le moteur devrait s'arrêter.

Mettre le moteur en marche

⚠ ATTENTION

L'utilisateur doit être assis pour démarrer le moteur.

NOTE : Reportez-vous à la section L. Commande d'accélérateur / d'étrangleur, commande d'accélérateur, commande d'accélérateur électronique à la page 91 pour identifier les commandes du tracteur.

1. L'opérateur doit être assis sur le siège du tracteur avec les leviers de contrôle de la barre abdominale complètement sortie et en position de stationnement (Fig. 19). Reportez-vous à la rubrique Consignes de sécurité pour obtenir de plus amples directives.

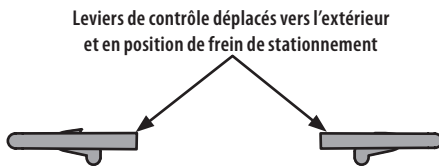


Fig. 19

2. Assurez-vous que le commutateur de la PDF est en position d'arrêt. Si le tracteur en est équipé, placez la commande de l'étrangleur ou la commande des gaz/de l'étrangleur en position d'étranglement maximal. Sur les modèles avec une commande de démarreur séparée, déplacez la commande d'accélération à mi-chemin entre ses positions lente et rapide.
- NOTE :** Si le moteur est chaud, il pourrait ne pas être nécessaire d'utiliser l'étrangleur.
3. Commencez toujours avec la clé en position « OFF » (arrêt), tournez la clé dans le sens horaire jusqu'à la position « RUN » (marche), faites une pause de deux secondes, puis continuez à tourner la clé jusqu'à la position « START » (démarrage). Elle reviendra à la position de FONCTIONNEMENT.

⚠ ATTENTION

NE tenez PAS la clé dans la position de démarrage pendant plus de dix secondes à la fois car cela risque d'endommager le démarreur électrique du moteur.

4. Au fur et à mesure que le moteur chauffe, tirez progressivement le levier de contrôle d'accélérateur/démarrage vers l'arrière, au-delà de la position d'enclenchement du démarreur, ou dégagez lentement l'étrangleur sur les modèles dotés d'un étrangleur séparé. N'utilisez pas la position de l'étrangleur pour enrichir le mélange carburant, sauf pour le démarrage du moteur.
5. Laissez le moteur tourner quelques minutes à régime moyen avant de le mettre sous charge.

6. Observez l'horomètre/tableau indicateur. Si le témoin lumineux de la batterie ou celui de la pression d'huile s'allume, arrêtez immédiatement le moteur. Faites inspecter le tracteur par votre concessionnaire agréé.

Démarrage par temps froid

Lors du démarrage du moteur à des températures proches point de congélation ou inférieures, assurez-vous que l'huile de moteur est de la bonne viscosité et que la batterie est complètement chargée. Mettez le moteur en marche comme suit :

1. Surez-vous que la batterie est en bon état. Une batterie chaude a une capacité de démarrage plus importante qu'une batterie froide.
2. Utilisez un carburant frais pour service en hiver. L'essence pour service en hiver a une volatilité plus élevée pour améliorer le démarrage. N'utilisez pas le reste d'essence de l'été.
3. Observez les instructions précédentes pour démarrer le moteur.

Utiliser des câbles de démarrage pour mettre le moteur en marche

⚠ AVERTISSEMENT

Les batteries contiennent de l'acide sulfurique et peuvent dégager des gaz explosifs. Assurez-vous que la zone de travail est bien aérée, portez des gants et des lunettes de protection et évitez de produire des flammes et des étincelles près de la batterie.

Si la charge de la batterie n'est pas suffisante pour démarrer le moteur, rechargez la batterie. Si nous ne disposons pas d'un chargeur et qu'il faut mettre le tracteur en marche, vous aurez besoin d'une batterie d'appoint. Connectez la batterie d'appoint comme suit :

1. Connectez l'extrémité d'un câble à la borne positive de la batterie du tracteur hors service et l'autre extrémité à la borne positive de la batterie d'appoint.
2. Connectez l'extrémité de l'autre câble à la borne négative de la batterie d'appoint; et l'autre extrémité de ce câble au châssis du tracteur aussi loin que possible de la batterie.
3. Mettez le tracteur hors service en marche en suivant les instructions de démarrage normal; puis déconnectez les câbles dans l'ordre inverse exact de leur connexion.
4. Faites inspecter et réparer le système électrique du tracteur dès que possible pour éliminer le besoin de démarrage d'appoint.

Arrêter le moteur

1. Désengagez la prise de force.
2. Déplacez les leviers de contrôle des barres abdominale droite et gauche complètement vers l'extérieur dans la position engagée du frein de stationnement.
3. Déplacez la manette des gaz (si équipé) à mi-chemin entre les positions SLOW et FAST (lent et rapide).

4. Tournez la clé dans le sens horaire à la position « STOP » et retirez-la du commutateur d'allumage.

NOTE : Retirez toujours la clé du module d'allumage pour empêcher un démarrage accidentel ou la décharge de la batterie si l'équipement est laissé sans surveillance.

Exercice (utilisation initiale)

La conduite d'un tracteur à rayon de braquage zéro n'est pas comme celle d'un tracteur classique. Même si un tracteur à braquage zéro est plus maniable, il est nécessaire de s'exercer à manier les leviers de contrôle de la barre abdominale.

Il est fortement recommandé de localiser une « zone de pratique » raisonnablement grande, ouverte et de niveau, où il n'y a aucun obstacle, piéton ou animal. Vous devez vous exercer à utiliser le tracteur pendant au moins 30 minutes.

Déplacez avec précaution (ou faites déplacer) le tracteur vers la zone de pratique. Lors de la séance d'exercice, la PTO ne devrait pas être engagée. Pendant la pratique, utilisez l'accélérateur du tracteur à environ 1/2-3/4 et à une vitesse inférieure à la vitesse maximale en marche avant et arrière.

Exercez-vous soigneusement à manœuvrer le tracteur en suivant les instructions de la section Conduire le tracteur. Exercez-vous jusqu'à ce que vous soyez sûr de pouvoir utiliser le tracteur en toute sécurité.

CONDUIRE LE TRACTEUR

⚠ AVERTISSEMENT

Déplacez toujours les barres de conduite lentement et graduellement. Tout mouvement brusque des barres de conduite peut affecter la stabilité de l'appareil et causer son renversement, ce qui peut entraîner de graves blessures, voire la mort.

1. Réglez le siège de l'opérateur sur la position la plus confortable qui vous permette d'utiliser les commandes. Voir le Réglage du siège dans la section Préparation.
2. Déplacez les leviers de contrôle droit et gauche au neutre, ce qui désactive également le frein de stationnement (Fig. 20).

Leviers de contrôle déplacés vers l'intérieur et au neutre

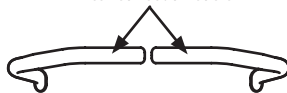


Fig. 20

NOTE : Les leviers de contrôle de la barre abdominale doivent être complètement déplacés vers l'avant avant d'appuyer en avant ou en arrière pour vous assurer que les freins sont complètement désengagés. Le fait de garer le tracteur sur un terrain accidenté ou sur une colline peut entraîner le blocage des freins et leur relâchement partiel. Dans ce cas, le tracteur ne pourra être conduit lorsque les leviers de contrôle de la barre abdominale sont déplacés. Si cela se produit, déplacez

légèrement le levier de contrôle de la barre abdominale dans le sens opposé pour alléger la charge des freins et leur permettre de se relâcher complètement.

NOTE: Si les leviers de contrôle de la barre abdominale ne sont même pas au point mort, reportez-vous à la section Préparation pour apprendre à ajuster les leviers de contrôle de la barre abdominale pour qu'ils soient égaux.

- Mettez l'accélérateur (si équipé) à plein régime.

⚠ AVERTISSEMENT

Maintenez les barres de conduite d'une prise ferme. **NE relâchez PAS les barres de conduite pour ralentir ou arrêter l'appareil; utilisez vos mains pour placer les deux barres de conduite à la position neutre.**

- Pour conduire le tracteur, saisissez fermement les leviers de contrôle respectifs et passez à Avancer le tracteur dans la section suivante.

Avancer le tracteur

- Avancez lentement et régulièrement les deux leviers de contrôle de la barre abdominale. Le tracteur commencera à avancer (Fig. 21).

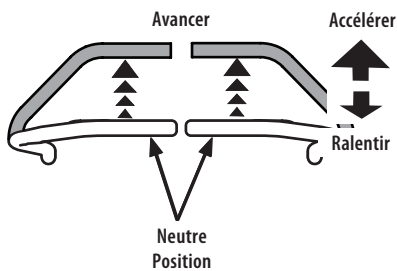


Fig. 21

- La vitesse du tracteur augmentera à mesure que les leviers de contrôle de la barre abdominale sont avancés.
- Pour ralentir le tracteur, déplacez le levier de contrôle vers l'arrière pour atteindre la vitesse désirée, ou placez les leviers de contrôle de la barre abdominale en position neutre pour arrêter le tracteur.

Faire tourner le tracteur pendant que vous avancez

⚠ AVERTISSEMENT

Un virage très serré risque de réduire le contrôle de l'appareil. Ralentissez TOUJOURS avant d'effectuer un virage serré.

Pour faire tourner le tracteur en marche avant, déplacez les leviers de contrôle de la barre abdominale de manière à ce qu'un levier se trouve à l'arrière de l'autre. Le tracteur tournera dans la direction du levier de contrôle arrière.

- Pour tourner à gauche, déplacez le levier de contrôle de conduite gauche en arrière du levier de contrôle droit (Fig. 22).

Virage à gauche en avant

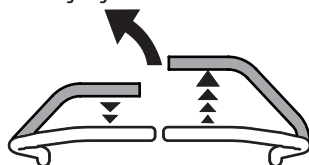


Fig. 22

- Pour tourner à droite, déplacez le levier de contrôle de conduite droit en arrière du levier gauche (Fig. 23).

Virage à droite en avant

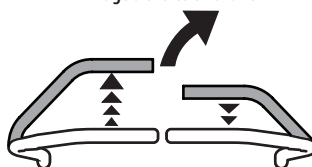


Fig. 23

- Plus la distance entre les deux leviers est grande, plus le tracteur sera tranchant.
- Pour effectuer un « tour pivot », placez le levier de contrôle d'entraînement du côté virage en position neutre, tout en déplaçant l'autre levier de contrôle vers l'avant.

NOTE: Faire un « pivot » sur l'herbe augmentera considérablement le potentiel de dégradation du gazon.

Reculer le tracteur

⚠ AVERTISSEMENT

Regardez toujours derrière vous et de chaque côté de l'appareil avant de reculer. Regardez toujours derrière vous lorsque vous reculez. Il n'est pas recommandé de tondre en marche arrière.

- Déplacez lentement et uniformément les deux leviers de contrôle vers l'arrière. Le tracteur commencera à se déplacer en sens inverse (Fig. 24).

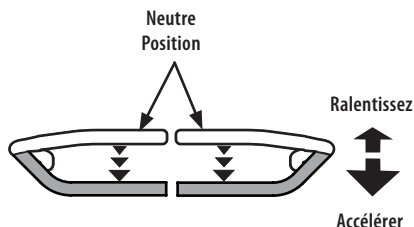


Fig. 24

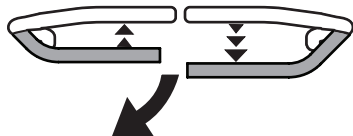
- Au fur et à mesure que les leviers de contrôle de la barre de guidage sont poussés plus vers l'arrière, la vitesse du tracteur augmentera.

3. Pour ralentir le tracteur, déplacez les leviers de contrôle vers l'avant pour atteindre la vitesse désirée, ou placez les leviers de contrôle au point mort pour arrêter le tracteur.

Tourner tout en avançant

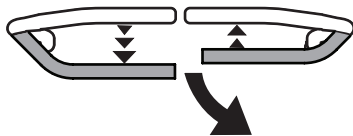
Pour faire tourner le tracteur tout en reculant, déplacez les leviers de contrôle au besoin, de sorte que l'un des leviers se trouve en avant de l'autre. Le tracteur tournera dans la direction du levier de contrôle abdominal avant.

1. Pour tourner à gauche en marche arrière, déplacez le levier de contrôle de gauche vers l'avant du levier de contrôle de droite (Fig. 25).



Virage arrière gauche
Fig. 25

2. Pour faire demi-tour en marche arrière, déplacez le levier de contrôle droit en avant du levier de contrôle gauche (Fig. 26).



Virage arrière droit
Fig. 26

NOTE : Plus la distance entre les deux leviers de contrôle de la barre abdominale est grande, plus le tracteur tournera.

3. Pour effectuer un « pivot », placez le levier de contrôle côté virage en position neutre, tout en déplaçant l'autre levier de contrôle vers l'arrière.

NOTE : Faire un « pivot » sur l'herbe augmentera considérablement le potentiel de dégradation du gazon.

Exécution d'un virage à zéro

1. Arrêtez le mouvement du tracteur en plaçant les deux leviers de contrôle de la barre abdominale au neutre.
2. Pour tourner dans le sens horaire, déplacez le levier de contrôle gauche de la barre abdominale vers l'avant tout en déplaçant simultanément le levier de contrôle de la barre abdominale droite vers l'arrière (Fig. 27).

Braquage zéro dans le sens horaire

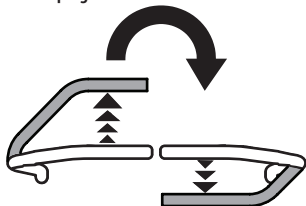


Fig. 27

3. Pour tourner dans le sens antihoraire, déplacez le levier de contrôle droite de la barre abdominale vers l'avant tout en déplaçant simultanément le levier de contrôle de la barre abdominale gauche vers l'arrière (Fig. 28).

Braquage zéro dans le sens antihoraire

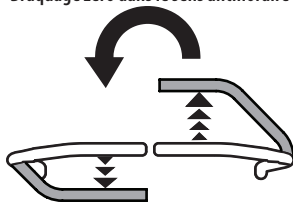



Fig. 28

Arrêter le tracteur


1. Placez les deux leviers de contrôle de la barre abdominale en position neutre pour arrêter le mouvement du tracteur.
2. Mettez le commutateur de la PDF en position « OFF » débrayée.
3. Utilisez le bouton de relevage, le levier ou la goupille pour relever le plateau de coupe à la position la plus haute.
4. Si vous descendez du tracteur, déplacez les leviers de contrôle de la barre abdominale complètement vers l'extérieur en position neutre, ce qui engage également le frein de stationnement, déplacez la commande de l'accélérateur (si équipé) à mi-chemin entre les positions lente et rapide, tournez la clé de contact pour arrêter (STOP)  et retirez-la. Le du module d'allumage.


⚠ AVERTISSEMENT

Ne quittez pas le poste de conduite sans avoir débrayé la prise de force et poussé les barres de conduite à fond vers l'extérieur pour engager le frein de stationnement. Arrêtez le moteur, tournez la clé de contact à la position ARRÊT (STOP), puis retirez-la si vous laissez l'appareil sans surveillance.

EMBRAYER LA PRISE DE FORCE

Embrayer la PDF transfère la puissance au plateau de coupe ou à tout autre équipement annexe (en vente séparément). Pour embrayer la PDF :

1. Placez la manette des gaz (si le tracteur en est équipé) en position « FAST » (rapide)  ou tournez le bouton de commande du régulateur électronique (si le tracteur en est équipé) en position « CUT » (couper) ou « POWER CUT » (couper le courant).
2. Tirez sur le commutateur de la PDF/lame en prise relevée à la position (ON) embrayée.

NOTE : Lorsque vous utilisez un tracteur équipé d'une manette des gaz, assurez-vous qu'elle est toujours en position « FAST » (rapide) . L'utilisation de la pédale d'accélérateur à une cadence insuffisante peut entraîner

une usure prématurée de la batterie et une mauvaise qualité de tonte.

3. Pour désengager la prise de force, poussez le commutateur de prise de force vers le bas/vers la position DÉSENGAGÉ (OFF).

TONTE

AVERTISSEMENT

Pour éviter tout contact avec les lames et toute blessure causée par une projection, ne permettez à personne (en particulier les enfants et les animaux) de s'approcher à moins de 23 mètres (75 pieds). Arrêtez l'appareil si quelqu'un s'approche de la zone de travail.

AVERTISSEMENT

Débarassez la zone de travail de tout débris, bâton, caillou, fil électrique et de tout autre objet qui peut être projeté par les lames rotatives.

NOTE : N'engagez pas la tondeuse lorsqu'elle est abaissée dans l'herbe. Il en résulterait une usure prématurée et une défaillance possible de la courroie en « V » et de l'embrayage de la PDF.

Soulevez complètement le plateau de coupe ou déplacez vous vers une zone non gazonnée avant d'engager le plateau de coupe de la tondeuse.

- Tondez perpendiculairement aux pentes, pas en montant ou en descendant. Si vous tondez une pente, commencez en bas et montez pour vous assurer que les virages sont effectués en montée.
- Ne tondez pas à vitesse élevée, surtout si un ensemble de déchiquetage ou un bac de ramassage est installé.
- Ne tondez pas le gazon trop court. Le gazon court est sujet à la croissance des mauvaises herbes et jaunit rapidement par temps sec.
- Utilisez toujours le tracteur avec la manette des gaz (si équipée) en position « FAST » (rapide) ou le bouton de commande du régulateur électronique (si équipé) en position « CUT » (couper) ou « POWER CUT » (couper le courant) pendant la tonte.
- Au premier passage, choisissez un point situé de l'autre côté de la zone à tondre. Suivez le point pour maintenir une ligne droite.
- Engagez la prise de force et placez la commande des gaz ou la commande des gaz/de l'étrangleur en position « FAST » (rapide) ou le bouton de commande du régulateur électronique en position « CUT » (couper) ou « POWER CUT » (couper le courant).
- Abaissez la tondeuse à la hauteur désirée.
- Pour de meilleurs résultats, dirigez l'herbe coupée lors des deux premiers passages vers le centre de la zone de travail. Changez ensuite de direction pour évacuer l'herbe coupée vers l'extérieur. Cela donnera une meilleure apparence à votre pelouse.

- Poussez lentement et uniformément les leviers de contrôle droit et gauche vers l'avant pour faire avancer le tracteur, et laissez le tracteur se diriger directement vers le point d'alignement.

NOTE : La vitesse du tracteur aura une incidence sur la qualité de la coupe de la tondeuse. Tondre à pleine vitesse nuira à la qualité de la coupe. Contrôlez la vitesse au sol avec les leviers de contrôle.

- Votre tracteur est conçu pour couper du gazon résidentiel normal n'excédant pas une hauteur de plus de 25 cm (10 po). Ne tentez pas de couper la pelouse exceptionnellement longue et sèche (par exemple, des pâturages) ou des amas de feuilles mortes. De la pelouse sèche ou des feuilles mortes peuvent entrer en contact avec l'échappement du moteur ou s'accumuler sur le tracteur.
- N'essayez pas de tondre les broussailles, les mauvaises herbes ou de l'herbe extrêmement haute. Votre tracteur est conçu pour tondre le gazon, PAS pour nettoyer les broussailles.
- Gardez les lames affûtées et remplacez-les lorsqu'elles sont usées.
- Lorsque vous approchez de l'autre extrémité de la bande, ralentissez ou arrêtez-vous avant de tourner. Un demi-tour est recommandé sauf si un pivot ou un virage à zéro est requis.
- Alignez la tondeuse avec un bord de la bande tondu et chevauchez environ 7,6 cm (3 po).
- Dirigez le tracteur sur chaque bande suivante pour l'aligner avec une bande précédemment coupée.
- Pour éviter tout risque de formation d'ornières ou de rainures sur le gazon, modifiez le sens de la coupe des bandes d'environ 45° pour la tonte suivante et les autres subséquentes.

Lorsque, pour une raison quelconque, vous arrêtez le tracteur sur une surface gazonnée, toujours :

- Déplacez les leviers de contrôle des barres abdominale droite et gauche complètement vers l'extérieur dans la position engagée du frein de stationnement.
- Arrêter le moteur et retirer la clé.
- Cela réduira au minimum la possibilité que votre pelouse soit « dorée » par les gaz d'échappement chauds du moteur de votre tracteur.

PROGRAMME D'ENTRETIEN

⚠ AVERTISSEMENT

Avant d'effectuer tout travail d'entretien, désengagez toutes les commandes, arrêtez le moteur et attendez l'arrêt complet des pièces mobiles. Débranchez les fils de bougie et le câble négatif de la batterie pour empêcher un démarrage accidentel. Portez des lunettes de sécurité pour utiliser votre appareil ou pour effectuer des réglages ou des réparations.

Suivez le programme d'entretien présenté ci-dessous. Ce tableau décrit uniquement les instructions pour l'entretien.

Consultez la notice d'utilisation du moteur en ce qui concerne les éléments d'entretien du moteur répertoriés dans le tableau ci-dessous.

NOTE : Le calendrier de maintenance se poursuit sur la page suivante.

NOTE : Veuillez contacter un concessionnaire local agréé pour acheter un horomètre du marché secondaire, si vous le souhaitez.

	Avant chaque utilisation	Après les 5 premières heures	Toutes les 10 heures	Toutes les 25 heures	Toutes les 50 heures	Toutes les 100 heures	Toutes les 200 heures	Avant le remisage	Consultez le manuel du moteur
Vérifiez et nettoyez les crépines d'aspiration et les ventilateurs de refroidissement #	✓							✓	
Vérifiez et nettoyez le collecteur d'échappement, les tuyaux du silencieux et les boucliers du silencieux #	✓							✓	
Vérifiez et nettoyez le dessus et le dessous du plateau, sous et autour des protections de fusée et de la zone de la courroie #	✓							✓	
Vérifiez et nettoyez autour des fusibles, du câblage et des faisceaux de câblage #	✓							✓	
Vérifiez et nettoyez autour de la transmission, de l'essieu et des ventilateurs #	✓							✓	
Vérifier/ajouter/changer le liquide de transmission au besoin							✓		
Inspectez le filtre à air pour détecter d'éventuelles pièces sales, desserrées ou endommagées	✓								
Vérifiez le niveau d'huile moteur	✓								
Nettoyez les bornes de la batterie			✓					✓	
Graissez tous les points de lubrification			✓					✓	
Vérifiez la crépine d'aspiration et nettoyez-la, le cas échéant			✓					✓	
Vérifiez les lames, affûtez-les ou remplacez-les, le cas échéant			✓					✓	
Vérifiez la pression des pneus			✓					✓	
Vérifiez et nettoyez le dessous du plateau	✓		✓						
Vérifiez le système de verrouillage de sécurité			✓					✓	
Vérifiez le temps d'arrêt de la lame de coupe			✓					✓	

ENTRETIEN

	Avant chaque utilisation	Après les 5 premières heures	Toutes les 10 heures	Toutes les 25 heures	Toutes les 50 heures	Toutes les 100 heures	Toutes les 200 heures	Avant le remisage	Consultez le manuel du moteur
Inspectez et lubrifiez les roues du plateau				✓				✓	
Inspecter et lubrifier le joint de direction				✓					
Vérifiez le nivellement et l'inclinaison du plateau				✓				✓	
Vérifiez que les courroies et les poulies ne sont pas endommagées ou usées					✓				
Vérifiez que tout le matériel est en place et sécurisé						✓			
Vérifier le couple de serrage des boulons de montage du moteur (Serrez à 37 à 50 N-m (325-450 po-lb))		✓			✓			✓	✓
Vérifiez le couple de serrage de l'écrou de montage de la lame (Serrez à 95 à 122 N-m (70-90 pi-lb))		✓			✓			✓	
Vérifiez l'état et l'écart de la bougie d'allumage						✓		✓	✓
Vidange de l'huile de rodage du moteur		✓							✓
Changez l'huile moteur					✓			✓	✓
Vérifiez le circuit de carburant (conduits, réservoir, bouchon, raccords)		✓			✓			✓	✓
Vérifiez l'état de la bougie d'allumage (547 cc seulement)				✓					
Remplacer la bougie d'allumage (547 cc seulement)						✓			
Vérifiez le pare-étincelles		✓			✓			✓	✓
Remplacez le filtre à huile					✓			✓	✓
Nettoyez ou changez le filtre à air					✓				✓
Changez le filtre à air (547 cc seulement) # **						✓			
Remplacez le filtre à carburant					✓				✓
Remplacez le filtre à carburant (547 cc seulement)						✓			
Faites vérifier et régler le jeu de soupape*									✓

* -- Faites effectuer cette vérification par un revendeur agréé.

-- Effectuez plus souvent par temps sec ou en cas de paillage.

** -- Effectuer plus fréquemment sous des conditions de charges lourdes ou de températures ambiantes élevées.

NOTE : Ce manuel de l'opérateur couvre plusieurs modèles. Les fonctionnalités du tracteur peuvent varier selon le modèle. Les fonctionnalités trouvées dans le présent manuel ne s'appliquent pas à tous les modèles de tracteur. Le modèle de tracteur représenté peut être différent du vôtre.

ENTRETIEN DU TRACTEUR APRÈS UTILISATION

Après chaque utilisation du tracteur, pour assurer des conditions de fonctionnement sûres, consultez le tableau du Programme d'entretien du présent manuel pour un entretien correct du tracteur.

⚠ AVERTISSEMENT

Le non-respect de ces instructions peut entraîner de graves blessures et endommager l'appareil.

NETTOYER LE DESSOUS DU PLATEAU

Système de nettoyage du plateau

Le plateau de coupe de votre tracteur peut être équipé d'un orifice pour l'eau à sa surface qui fait partie de son dispositif de lavage.

Utilisez le système de nettoyage du plateau pour éliminer les déchets de coupe de la face inférieure du plateau et empêcher l'accumulation de produits chimiques corrosifs. Effectuez les étapes suivantes après chaque tonte :

1. Fixez l'adaptateur de buse à un boyau d'arrosage standard raccordé à une arrivée d'eau.
2. Déplacez le tracteur dans une zone à portée du boyau d'arrosage et dans laquelle vous pouvez disperser les déchets de coupe mouillés. Débrayez la PDF, serrez le frein de stationnement et arrêtez le moteur.
3. Tirez sur le collier d'arrêt (a) de l'adaptateur de buse (b), puis poussez l'adaptateur de buse sur la buse de nettoyage du plateau (c). Relâchez le collier d'arrêt pour verrouiller l'adaptateur de busesur la buse de nettoyage du plateau (Fig. 29).

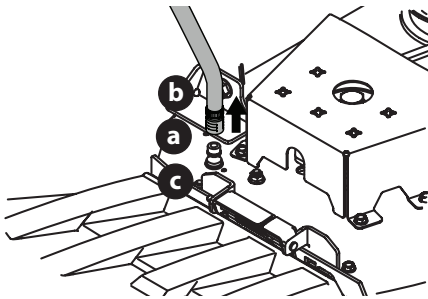


Fig. 29

4. Ouvrez le robinet d'eau.

5. À partir du siège de l'opérateur, démarrez le moteur et embraquez la PDF. Laissez tourner le moteur aussi longtemps que nécessaire. Débrayez la PDF et arrêtez le moteur.
6. Fermez le robinet d'eau.
7. Tirez sur le collier d'arrêt de l'adaptateur de buse pour déconnecter l'adaptateur de buse de la buse de nettoyage du plateau.

NETTOYAGE DU TRACTEUR

⚠ AVERTISSEMENT

Lorsque l'appareil vient d'être utilisé, les surfaces en métal, le moteur et le silencieux sont brûlants. Attendez au moins cinq minutes avant de procéder, sinon vous risquez de vous brûler. Soyez très prudent pour éviter les brûlures.

Vous devez nettoyer votre tracteur après chaque utilisation et dans certaines conditions, par exemple : par temps sec ou en cas de paillage, un nettoyage supplémentaire peut être nécessaire.

L'un des meilleurs moyens de faire fonctionner votre tracteur efficacement et de réduire les risques d'incendie consiste à éliminer régulièrement l'accumulation de débris du tracteur. Suivez les recommandations ci-dessous et communiquez avec votre revendeur agréé si vous avez des questions.

- Laissez refroidir le tracteur pendant au moins cinq minutes dans une zone dégagée avant de le nettoyer.

NOTE : L'utilisation d'une laveur à pression ou d'un boyau d'arrosage n'est pas recommandée pour nettoyer votre tracteur si ce n'est pour nettoyer le dessous du plateau. Cela risque d'endommager les composants électriques, les fusées, les poulies, les roulements ou le moteur. L'utilisation d'eau réduira la durée de vie de l'appareil ainsi que la facilité d'entretien.

- Maintenez les deux côtés des fentes de refroidissement de la transmission, le collecteur d'échappement, les fusibles, tout le câblage et tous les faisceaux de câbles, le tuyau de silencieux, le bouclier du silencieux, les crépines d'aspiration et les ailettes de refroidissement du moteur, etc. à l'écart des déchets de coupe et des feuilles (Fig. 30).

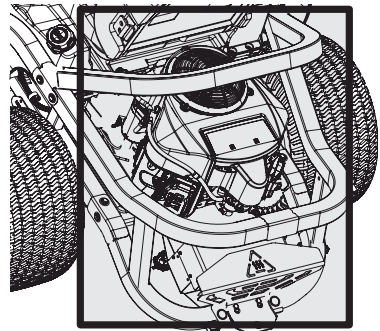


Fig. 30

- Nettoyez le dessus du plateau de coupe, sous les protections des fusées et la zone de la courroie (Fig. 31).

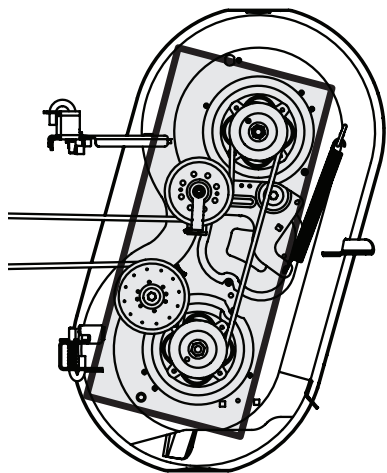
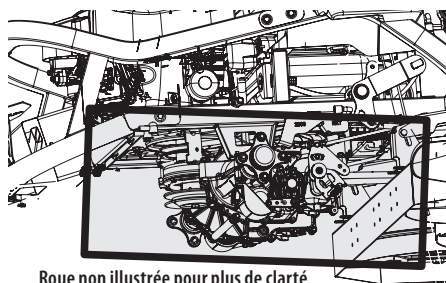


Fig. 31

- Nettoyez autour et près de la zone de la transmission, de l'essieu et du ventilateur (Fig. 32).



Roue non illustrée pour plus de clarté

Fig. 32

- Des débris peuvent s'accumuler n'importe où sur le tracteur, plus particulièrement sur les surfaces horizontales. Un nettoyage supplémentaire peut être nécessaire lorsque vous tondez par temps sec ou en cas de paillage.
- Les fuites et déversements de carburant ou d'huile et un excès de lubrification peuvent également devenir des sites de ramassage des débris. Une réparation et un nettoyage immédiats des déversements d'huile ou de carburant peuvent réduire les risques d'incendie.
- Outre le nettoyage du tracteur avant de l'utiliser et de le ranger, n'essayez pas de tondre une herbe exceptionnellement haute (25,4 cm (10 po) ou plus), ni de l'herbe sèche (par exemple un pâturage) ni des tas de feuilles sèches. L'herbe sèche ou les feuilles mortes peuvent entrer en contact avec l'échappement du moteur ou s'accumuler sur le plateau de coupe, présentant ainsi un éventuel risque d'incendie.

RANGEMENT DU TRACTEUR

- Laissez refroidir le tracteur dans une zone ouverte pendant au moins cinq minutes avant de le ranger.
- Ne stationnez pas le tracteur à proximité de matériaux inflammables (bois, chiffons ou produits chimiques), de flammes nues ou de toute autre source d'inflammation potentielle (chaudière, chauffe-eau ou tout autre type d'appareil de chauffage).
- Enlevez tous les matériaux combustibles du tracteur avant de le ranger. Videz les caissons de chargement, les bacs à herbe ou les conteneurs.
- Fermez toujours l'arrivée de carburant lors du rangement ou du transport, si le tracteur est équipé d'un robinet d'arrêt du carburant.
- Vérifiez le système de carburant (canalisations, réservoir, bouchon et raccords) conformément au programme d'entretien afin de détecter d'éventuelles fissures ou fuites. Réparez et nettoyez, le cas échéant.

ENTRETIEN

Retrait du panneau de plancher (le cas échéant)

⚠ AVERTISSEMENT

N'utilisez pas la tondeuse sans le panneau de plancher.

Sur certains modèles, il est possible de retirer le panneau de plancher à des fins de maintenance, d'entretien et de nettoyage. Pour retirer le panneau de plancher :

- À l'aide de l'outil multiple (le cas échéant) ou d'une douille de 1,25 cm (1/2 po), retirez la vis à tête hexagonale (a) qui maintient le panneau de plancher en place (la partie 1 de la Fig. 33).

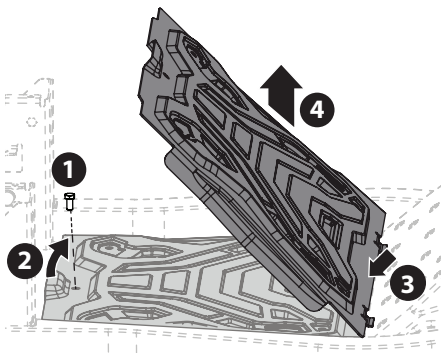


Fig. 33

- Soulevez délicatement l'arrière du panneau de plancher (la partie 2 de la Fig. 33).
- Faites glisser le panneau de plancher vers l'arrière pour libérer l'avant du panneau de plancher (la partie 3 de la Fig. 33).
- Soulevez-le et retirez-le du tracteur (la partie 4 de la Fig. 33).

- Pour replacer le panneau de plancher sur le tracteur, remettez-le soigneusement en place et réinstallez la vis hexagonale que vous retirée lors de l'étape 1. Serrez entre 12 et 15 N-m (108 et 132 po-lb).

Moteur

⚠ AVERTISSEMENT

Laissez refroidir l'appareil dans une aire ouverte avant de le ranger ou de faire le plein.

Consultez la notice d'utilisation du moteur en ce qui concerne toutes les procédures et instructions d'entretien du moteur.

NOTE : L'entretien, la réparation et le remplacement de dispositifs et de systèmes antipollution faits aux frais du propriétaire peuvent être effectués par n'importe quel établissement de réparation mécanique ou par n'importe quel mécanicien. Les réparations sous garantie doivent être effectuées par un revendeur agréé.

Changement de l'huile moteur

MOTEURS À CYLINDRE UNIQUE (LE CAS ÉCHÉANT)

⚠ AVERTISSEMENT

Lorsque l'appareil vient d'être utilisé, les surfaces en métal, le moteur et le silencieux sont brûlants. Attendez au moins cinq minutes avant de procéder, sinon vous risquez de vous brûler. Soyez très prudent pour éviter les brûlures.

NOTE : Le filtre à huile doit être remplacé à chaque changement d'huile.

Procédez comme suit pour effectuer un changement d'huile :

- Laissez le moteur en marche pendant quelques minutes pour que l'huile du moteur se réchauffe. L'huile chaude s'écoule plus facilement et évacue plus d'impuretés. Soyez prudent pour ne pas vous brûler avec l'huile chaude.
- Repérez la soupape de vidange d'huile située sur le côté du moteur.
- Placez un récipient adéquat d'une capacité d'une capacité minimum de 2,36 l (2,5 quarts) sous l'extrémité du boyau de vidange d'huile pour recueillir l'huile usée. Enlevez le bouchon de remplissage et la jauge d'huile du tube de remplissage d'huile.
- Retirez le capuchon protecteur de la soupape de vidange (Fig. 34).

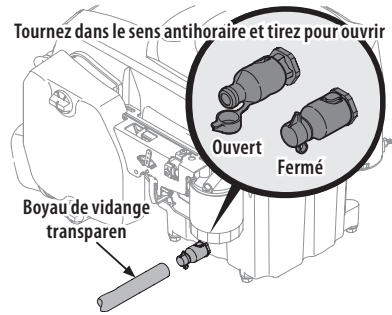


Fig. 34

- Installez le boyau de vidange d'huile (emballé avec ce manuel) sur la soupape de vidange. Placez l'extrémité libre du boyau de vidange d'huile dans un récipient adéquat d'une capacité minimum de 2,36 l (2,5 quarts) pour recueillir l'huile usée.
- L'orifice d'évacuation du moteur est doté d'une soupape de vidange qu'il faut tourner et tirer pour vidanger. Tournez la soupape de vidange d'huile d'un quart de tour vers la gauche, puis tirez-la vers l'extérieur pour vidanger l'huile. Après avoir vidangé l'huile, poussez la soupape de vidange vers l'intérieur et tournez-la d'un quart de tour vers la droite pour la fixer. Remplacez le capuchon protecteur pour empêcher les débris de pénétrer dans la soupape de vidange.
- Remplacez le filtre à huile et remplissez le moteur avec de l'huile neuve selon les instructions de la notice d'utilisation du moteur.
- Réinstallez le bouchon/la jauge de remplissage d'huile.

NOTE : Placez un chiffon absorbant sous le filtre à huile pour éviter de salir la poulie du moteur.

NOTE : Respectez la législation sur l'élimination des déchets liquides (essence, huile, etc.) afin de préserver l'environnement.

NOTE : L'entretien, la réparation et le remplacement des dispositifs et des systèmes anti-pollution qui ne sont pas couverts par la garantie (aux frais du propriétaire) peuvent être effectués par n'importe quel centre de service ou par tout individu. Les réparations dans le cadre de la garantie doivent être effectuées dans un centre de service agréé.

MOTEURS À DEUX CYLINDRES (LE CAS ÉCHÉANT)

⚠ AVERTISSEMENT

Lorsque l'appareil vient d'être utilisé, les surfaces en métal, le moteur et le silencieux sont brûlants. Attendez au moins cinq minutes avant de procéder, sinon vous risquez de vous brûler. Soyez très prudent pour éviter les brûlures.

NOTE : Il faut remplacer le filtre à huile à chaque intervalle de changement d'huile.

Pour effectuer un changement d'huile, procédez comme suit :

1. Repérez l'orifice de vidange d'huile (a) sur le côté du moteur (Fig. 35).
2. Placez un récipient de récupération d'huile approprié d'une capacité d'au moins 2,37 litres sous l'ouverture du tuyau de vidange d'huile pour collecter l'huile usagée. Retirez le bouchon de remplissage huile ou la jauge du tube de remplissage d'huile (Fig. 35).
3. Tout en maintenant l'extrémité libre du tuyau de vidange d'huile au-dessus du récipient de récupération d'huile, dévissez le bouchon du tuyau à tête carrée (c) de l'extrémité du tuyau de vidange d'huile (Fig. 35). Vidangez l'huile moteur dans le récipient de récupération d'huile.

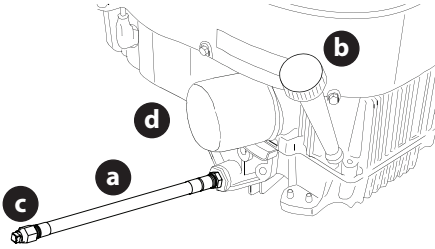


Fig. 35

4. Après avoir vidangé l'huile, essuyez toute huile résiduelle du tuyau de vidange d'huile. Vissez le bouchon du tuyau à tête carrée dans le raccord du tuyau de vidange d'huile et serrez le bouchon du tuyau à tête carrée à 22 N·m (16 pi·lb).
5. Retirez le filtre à huile (d) et videz-le dans le récipient de récupération d'huile (Fig. 35).
6. Remettez le filtre à huile (d) en place, puis remplissez le moteur avec de l'huile neuve comme indiqué dans la notice d'utilisation du moteur (Fig. 35).

NOTE : Placez un chiffon absorbant sous le filtre à huile pour empêcher l'huile de s'écouler sur l'embrayage.

NOTE : Respectez les lois et règlements concernant l'élimination des déchets (essence, huile) pour assurer la protection de l'environnement.

NOTE : L'entretien, la réparation et le remplacement de dispositifs et de systèmes antipollution faits aux frais du propriétaire peuvent être effectués par n'importe quel établissement de réparation mécanique ou par n'importe quel mécanicien. Les réparations sous garantie doivent être effectuées par un revendeur agréé.

Lubrification

⚠ AVERTISSEMENT

Avant de lubrifier, de réparer ou d'inspecter l'appareil, débrayez toujours la prise de force, engagez le frein de stationnement, arrêtez le moteur et retirez la clé de contact afin d'empêcher un démarrage accidentel.

- À l'aide d'une huile de lubrification de qualité, graissez tous les points de lubrification. Consultez le tableau du Programme d'entretien du présent manuel pour connaître les intervalles d'entretien corrects.

Entretien du pare-étincelles (le cas échéant)

Le pare-étincelles doit être inspecté et nettoyé régulièrement (consultez le tableau des intervalles d'entretien du présent manuel). Inspectez visuellement l'écran afin de détecter toute éventuelle déchirure, fil cassé ou soudure instable. Remplacez le pare-étincelles en cas de présence d'une de ces conditions. Si l'écran est en bon état, nettoyez-le en éliminant les saletés et les particules de carbone à l'aide d'une brosse.

Pneus

Maintenez les pneus gonflés aux pressions recommandées. Un gonflage incorrect raccourcira la durée de vie du pneu. Les pressions de gonflage sont indiquées sur le flanc des pneus. Consultez le tableau du Programme d'entretien du présent manuel pour connaître les intervalles d'entretien corrects.

Respectez les consignes suivantes :

- Ne gonflez pas les pneus au-dessus de la pression maximale indiquée sur le flanc des pneus.
- Ne regonflez pas un pneu qui a roulé à plat ou qui est sérieusement sous-gonflé. Faites-le inspecter et réparer par un mécanicien qualifié.

Transmission hydrostatique

Votre tracteur à rayon de braquage zéro est équipé de deux pompes ou deux boîtes-pont hydrostatiques. Dans des conditions de fonctionnement normales, il n'est pas nécessaire de vérifier le niveau d'huile dans les vases d'expansion ni d'ajouter de l'huile.

CHANGEMENT DE L'HUILE DE TRANSMISSION ET DU FILTRE (TRANSMISSION TUFF TORQ®)

Pour les vidanges d'huile de transmission, veuillez vous adresser à votre concessionnaire agréé.

REMISAGE HORS SAISON

Si vous n'utilisez pas votre tracteur pendant une longue période (de trente jours ou plus), vous devez préparer le tracteur pour le remisage. Remisez le tracteur dans un endroit sec et protégé. En cas de remisage à l'extérieur, couvrez le tracteur (y compris les pneus) pour le protéger contre les éléments. Vous devez effectuer les procédures décrites ci-dessous chaque fois que le tracteur est remis.

1. Changez l'huile moteur et le filtre à huile en suivant les instructions fournies dans le présent manuel ainsi que dans le manuel du moteur fourni avec ce tracteur.

AVERTISSEMENT

Ne remisez jamais l'appareil avec de l'essence dans un endroit mal aéré ou à l'intérieur car les vapeurs d'essence pourraient entrer en contact avec une flamme nue, une étincelle ou une veilleuse d'allumage comme celle d'une chaudière, d'un chauffe-eau, d'une sècheuse, etc.

2. En cas de remisage du tracteur pendant 30 jours ou plus :
 - a. Pour éviter que des dépôts de gomme se forment dans le carburateur du moteur et causent un mauvais fonctionnement du moteur, vous devez vider complètement le circuit de carburant ou traiter l'essence avec un stabilisateur pour éviter toute détérioration.
 - b. Utilisation d'un stabilisateur de carburant pour un remisage d'une durée de 30 à 90 jours :
 - Lisez les instructions et les recommandations du fabricant du moteur.
 - Ajoutez à de l'essence propre et neuve une bonne quantité de stabilisant pour la capacité (environ 3 gallons) du circuit de carburant.
 - Remplissez le réservoir de carburant avec du carburant traité et faites tourner le moteur pendant deux à trois minutes pour que le carburant stabilisé atteigne le carburateur.
 - Le carburant laissé dans le réservoir se détériore et entraînera de graves problèmes au démarrage.
 - c. Vidange du circuit de carburant pour un remisage d'une durée de plus de 90 jours :
 - Avant de remiser le tracteur, surveillez la consommation de carburant dans l'objectif de vider le réservoir.
 - Faites tourner le moteur jusqu'à ce qu'il commence à caler. Utilisez le volet de départ pour maintenir le moteur en marche jusqu'à l'épuisement de tout le carburant dans le carburateur.
 - Consultez le manuel du moteur pour vidanger le carburant de la cuve du carburateur.
3. Nettoyez soigneusement le moteur et le tracteur.

NOTE : L'utilisation d'une laveuse à pression ou d'un boyau d'arrosage n'est pas recommandée pour nettoyer votre tracteur si ce n'est pour nettoyer le dessous du plateau. Cela risque d'endommager les composants électriques, les fusées, les poulies, les roulements ou le moteur. L'utilisation d'eau réduira la durée de vie de l'appareil ainsi que sa fonctionnalité.

4. Chargez complètement la batterie, puis débranchez le câble négatif pour empêcher une éventuelle décharge. Rechargez régulièrement la batterie lorsque le tracteur est en remisage.

NOTE : Retirez la batterie en cas d'exposition à des températures inférieures au point de congélation pendant des périodes prolongées. Rangez-la dans un endroit sec et propre où les températures sont supérieures au point de congélation.

5. Graissez tous les points de lubrification.

RETIRER LE TRACTEUR DE SON LIEU DE STOCKAGE

1. Vérifier l'huile moteur.
2. Chargez complètement la batterie et gonflez les pneus à la pression recommandée. Voir la paroi latérale du pneu pour connaître la pression de gonflage appropriée.
3. Remplissez le réservoir avec de l'essence propre et fraîche.
4. Démarrer le moteur et laisser tourner au ralenti pendant quelques minutes pour s'assurer que le moteur fonctionne correctement.
5. Conduire le tracteur sans charge pour s'assurer que tous les systèmes du tracteur fonctionnent correctement.

RÉGLAGES

Réglage de la pédale de levage du plateau

1. Placez le plateau de coupe en position de transport.
2. Retirez le boulon hexagonal, la rondelle et l'écrou hexagonal près du centre de la pédale (Fig. 36).

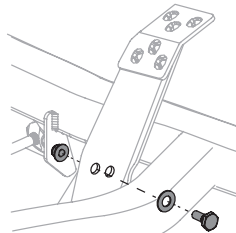


Fig. 36

3. Positionnez la pédale sur la position optimale en fonction des préférences de l'opérateur (Fig. 37).

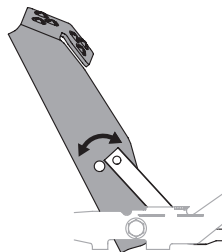


Fig. 37

4. Réinstallez le matériel précédemment retiré et serrez l'écrou à 38-47 N-m (28-35 pi-lb) (Fig. 36 à la page 103).

Nivellement du plateau

Si le plateau de coupe paraît tondre de manière inégale, vous devrez peut-être procéder à des réglages du nivellement.

⚠ AVERTISSEMENT

Lorsque l'appareil vient d'être utilisé, les surfaces en métal, le moteur et le silencieux sont brûlants. Attendez au moins cinq minutes avant de procéder, sinon vous risquez de vous brûler. Soyez très prudent pour éviter les brûlures.

⚠ AVERTISSEMENT

Les lames des tracteurs sont tranchantes. Enveloppez la lame ou portez des gants, et faites preuve d'une prudence accrue lors de l'entretien.

NIVELLEMENT DU PLATEAU (DE CHAQUE CÔTÉ)

1. Placez la poignée, le bouton ou la goupille de levage du plateau dans une position de tonte intermédiaire, puis faites pivoter les deux lames extérieures pour qu'elles soient perpendiculaires au tracteur.
2. Mesurez la distance entre l'extérieur de l'extrémité gauche de la lame et le sol. Les deux mesures doivent être égales. Si ce n'est pas le cas, passez à l'étape suivante.
3. Localisez les boulons de réglage (a) à gauche et à droite du plateau (Fig. 38).
4. Desserrez, mais ne retirez pas, les contre-écrous (b) du boulon de réglage. Ajustez le boulon de réglage droit ou gauche vers le haut ou le bas, le cas échéant, jusqu'à ce que les hauteurs de chaque côté soient égales (Fig. 38).

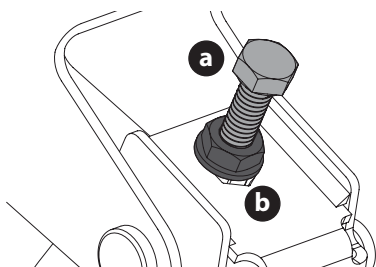


Fig. 38

NOTE : Continuez à vérifier le nivellement de l'avant vers l'arrière pendant que vous effectuez le réglage de chaque côté, car celui-ci peut modifier le niveau de l'avant vers l'arrière. Le cas échéant, ajustez de l'avant vers l'arrière comme indiqué dans la section suivante.

5. Lorsque le réglage sera correct, resserrez les contre-écrous (b). Serrez à 23 N-m (200 po-lb) (Fig. 38).

NIVELLEMENT DU PLATEAU (INCLINAISON DE L'AVANT VERS L'ARRIÈRE)

L'avant du plateau doit être entre 2 et 6 mm (1/16 et 1/4 po) plus bas que l'arrière du plateau. Au besoin, réglez comme suit :

1. Stationnez le tracteur sur une surface stable et horizontale, puis mettez la poignée, le bouton ou la goupille de levage du plateau dans une position intermédiaire.
2. Faites pivoter la lame la plus proche de la goulotte d'éjection pour qu'elle soit parallèle au tracteur.
3. Mesurez la distance entre l'avant de l'extrémité de la lame et le sol et entre l'arrière de l'extrémité de la lame et le sol. La première mesure prise doit être comprise entre 2 et 6 mm (1/16 et 1/4 po) plus bas que la seconde mesure.
4. Déterminez la distance approximative nécessaire à un réglage correct et continuez, le cas échéant.
5. Pour **relever** l'avant du plateau, retirez l'embout, desserrez le contre-écrou extérieur (a), puis serrez (vissez à l'intérieur) l'écrou intérieur (b) contre le support de suspension avant (Fig. 39). Si le réglage est correct, resserrez le contre-écrou extérieur (a) et remettez l'embout en place.

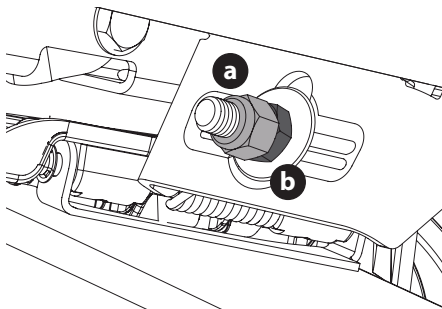


Fig. 39

6. Pour **abaisser** l'avant du plateau, retirez l'embout, desserrez le contre-écrou extérieur (a), puis desserrez (vissez à l'extérieur) l'écrou intérieur (b) à l'écart du support de suspension avant (Fig. 39). Si le réglage est correct, resserrez le contre-écrou extérieur (a) à 77 N-m (57 pi-lb) et remettez l'embout en place.

Réglage des roues du plateau

⚠ AVERTISSEMENT

Gardez vos mains et vos pieds loin de l'ouverture d'éjection du plateau de coupe.

NOTE : Les roues du plateau permettent d'éviter d'arracher l'herbe, mais elles ne sont pas conçues pour supporter le poids du plateau de coupe. Les roues du plateau doivent être approximativement de 6,35 à 12,7 mm (de 1/4 à 1/2 po) au-dessus du sol lorsque le plateau est réglé à la hauteur souhaitée. Pour régler les roues du plateau, consultez le chapitre Préparation afin de connaître les instructions.

Réglage de la butée du levier de commande de transmission des barres de conduite

Lorsque les deux leviers de commande de transmission des barres de conduite sont complètement déployés vers l'avant jusqu'à la position de pleine vitesse et que le tracteur dévie à gauche ou à droite, il est possible de régler la butée du levier de commande de transmission des barres de conduite pour synchroniser la vitesse des roues. Pour effectuer le réglage, procédez comme suit :

1. Identifiez le côté vers lequel le tracteur dévie, puis réglez le levier de commande de transmission des barres de conduite opposé. Si le tracteur dévie vers la droite, réglez le levier de contrôle de transmission de la barre abdominale gauche (diminution de la vitesse) et vice versa.
2. Localisez les boulons de réglage de la butée du levier de commande de transmission des barres de conduite (a) situés à l'avant du châssis du siège (Fig. 40).

NOTE : Vous pouvez utiliser l'outil multiple (le cas échéant) pour effectuer ce réglage.

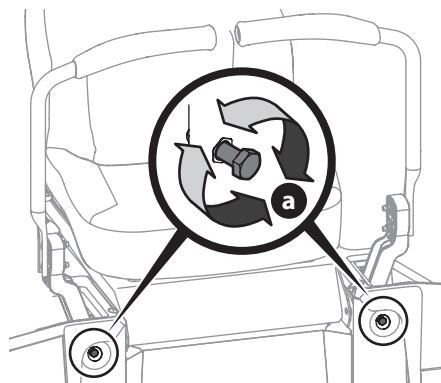


Fig. 40

3. Pour diminuer la vitesse en marche avant, tournez les boulons de réglage de la butée du levier de commande de transmission des barres de conduite (a) dans le sens des aiguilles d'une montre. Pour augmenter la vitesse en marche avant, tournez les boulons de réglage de la butée du levier de commande de transmission des barres de conduite (a) en sens inverse des aiguilles d'une montre. Tournez les boulons de réglage de la butée du levier de commande de transmission des barres de conduite (a) dans la direction requise de 1/4 tours à la fois. Après avoir tourné les boulons de réglage de la butée du levier de commande de transmission des barres de conduite (a), vérifiez le réglage en conduisant le tracteur (Fig. 40).
4. Poursuivez le réglage jusqu'à ce que la vitesse des roues soit synchronisée et que le tracteur roule droit avec les leviers de commande de transmission des barres de conduite complètement déployés vers l'avant en position de pleine vitesse.

NOTE : Assurez-vous que les boulons traversent les écrous du châssis pour activer la fonction de verrouillage.

ENTRETIEN

Système électrique

Un fusible protège le système électrique du tracteur contre les dommages causés par un ampérage trop élevé. Utilisez toujours un fusible de rechange de même calibre. Si le système électrique ne fonctionne pas, recherchez un fusible grillé.

En cas de problème récurrent avec des fusibles grillés, faites vérifier le système électrique de votre tracteur par votre concessionnaire agréé.

Relais et commutateurs

Le système électrique comporte plusieurs commutateurs de sécurité. Si une fonction du système de verrouillage de sécurité décrite précédemment ne fonctionne pas correctement, faites vérifier le système électrique par votre concessionnaire agréé.

Réglage du frein de stationnement

Si le tracteur ne s'arrête pas complètement lorsque les leviers de commande sont entièrement écartés pour engager le frein de stationnement, ou si les roues arrière peuvent rouler alors que le frein de stationnement est activé (et que la soupape de décharge hydrostatique est ouverte), le frein nécessite un réglage ou une réparation. Faites régler correctement le frein par votre concessionnaire agréé.

Dépose du plateau de coupe

Déposez le plateau de coupe du tracteur comme suit :

1. Déplacez le tracteur sur une surface plane, débrayez la PDF, arrêtez le moteur, placez les leviers de commande de transmission des barres de conduite droit et gauche complètement à l'extérieur dans la position d'activation du frein de stationnement.
2. Il existe deux méthodes pour retirer la courroie : pour retirer la courroie en relâchant la tension de la courroie, passez à l'étape 3, pour retirer la courroie en faisant rouler la courroie hors de la poulie de la PDF, passez à l'étape 4.

⚠ AVERTISSEMENT

Veillez à ne pas vous pincer les doigts lorsque vous faites rouler la courroie sur la poulie de la PDF.

3. Relâchez la tension de la courroie à l'aide du galet tendeur :
 - a. À l'aide de la poignée de levage du plateau ou de la pédale et du bouton de levage du plateau, ou de la pédale et de la goupille de levage du plateau, élevez-le jusqu'à la position la plus horizontale possible entre les galets tendeurs de plateau et la poulie de la PDF située au bas du moteur (Fig. 41 à la page 106).

- b. En partant du milieu du tracteur, faites pivoter le support du galet (a) et le galet tendeur mobile (b) vers l'arrière avec un éloignement suffisant pour soulever la courroie et la faire passer au-dessus de la poulie de fusée (Fig. 41).

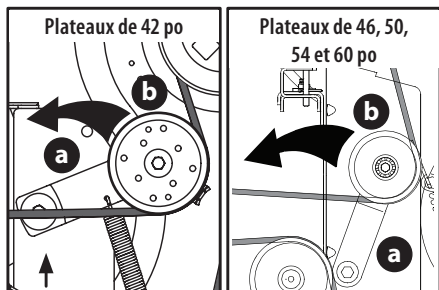


Fig. 41

- c. Sous l'arrière du tracteur, faites glisser la courroie pour la dégager de la poulie de la PDF située au bas du moteur.
- d. Abaissez le plateau jusqu'à la position de coupe la plus basse.
- e. Passez directement à l'étape 5.
4. Pour faire rouler la courroie hors de la poulie de la PDF :
- a. Relevez le plateau à la position la plus haute.
- b. Assis derrière le tracteur et face à l'avant, tendez votre bras pour saisir la courroie sous le tracteur, située à l'avant de la poulie de la PDF.
- c. Tirez le côté gauche de la courroie vers l'arrière et vers le bas tout en tournant manuellement la poulie de la PDF vers la droite jusqu'à ce que la courroie se dégage sur le bord du réa inférieur de la poulie.

NOTE : Si vous tirez sur le côté droit de la courroie, tournez la poulie vers la gauche.

- d. Tout en maintenant la courroie de la PDF (a) vers le bas, continuez à faire tourner la poulie de la PDF (b) jusqu'à ce que la courroie de la PDF (a) se déroule de la poulie de la PDF (b) (Fig. 42).

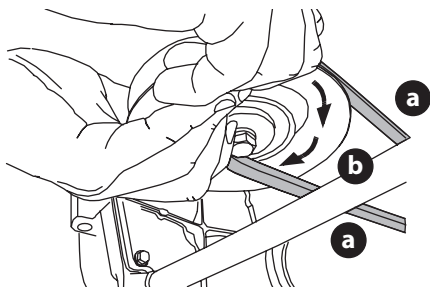


Fig. 42

- e. Abaissez le plateau jusqu'à la position de coupe la plus basse.

- f. Passez à l'étape 5.

⚠ AVERTISSEMENT

L'élévateur du plateau des tracteurs équipés d'un bouton de levage du plateau ou la goupille est assisté par un ressort et sous tension. Vous pouvez être blessé si l'élévateur du plateau assisté par un ressort est soudainement relâché. Utilisez toujours l'outil multiple pour sécuriser l'élévateur du plateau en place.

5. Sur les tracteurs équipés du bouton ou de la goupille de levage du plateau de coupe, utilisez la pédale et le bouton de levage du plateau pour placer le plateau dans la position la plus basse puis utilisez l'outil multiple (a) (le cas échéant) pour verrouiller les composants de l'élévateur du plateau en place (Fig. 43). Sur les tracteurs équipés d'une poignée de levage du plateau, abaissez le plateau dans la position la plus basse.

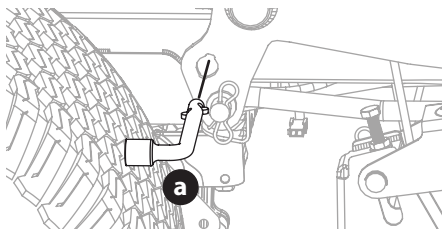


Fig. 43

- a. Retirez les deux goupilles papillon (a) des axes de chape (b) qui fixent les supports du bras de levage (c) aux supports de levage du plateau arrière (d) sur le plateau. Retirez les axes de chape (b) (Fig. 44).

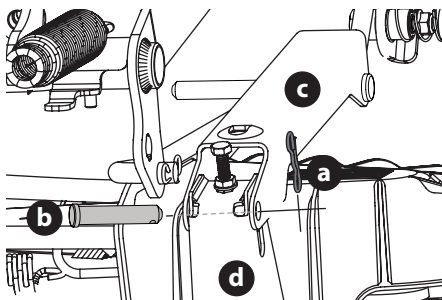


Fig. 44

- b. Retirez la troisième goupille papillon (a) de l'axe de chape (b) qui fixe la tige de commande du plateau avant (c) au support de levage du plateau avant (d). Retirez l'axe de chape (b) (Fig. 45 à la page 107).

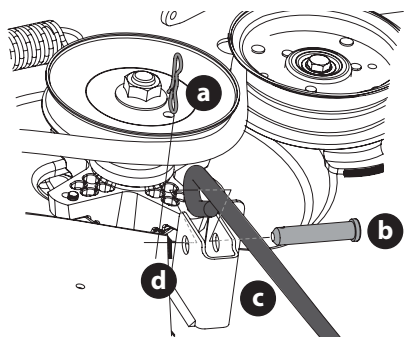


Fig. 45

- c. Manœuvrez avec précaution pour extraire le plateau sous le tracteur.

Installation du plateau de coupe

Installez le plateau de coupe sur le tracteur comme suit :

- Manipulez avec précaution le plateau sous le tracteur à partir du côté droit en alignant les supports de suspension du plateau et les bras de levage du plateau sur les tracteurs à tige de levage du plateau et à axe goupille de relâchement du plateau et alignez les supports du bras de levage et la tige de commande du plateau avant les supports de levage du plateau sur les tracteurs à trois goupilles.
- Lorsque le plateau est sous le tracteur, déplacez le plateau jusqu'à la position de coupe la plus basse.

NOTE : Pour aligner correctement les supports, il pourrait être nécessaire de placer une petite cale en bois sous chaque côté du plateau.
- Réinstallez le matériel correspondant à votre tracteur.
- Assurez-vous que la courroie en « V » est insérée dans les poulies de fusée sur le plateau; puis acheminez la courroie vers l'arrière sous le châssis du tracteur, au-dessus des tubes de transmission (transmission Hydro-Gear®) ou support transversal (transmission Tuff Torq®), jusqu'à la poulie de la PDF située au bas du moteur.
- Relevez le plateau à la position la plus haute.
- Assurez-vous que la courroie est insérée dans les poulies de fusée du plateau et que son la face arrière de la courroie est contre les galets tendeurs fixes et mobiles.
- Assis derrière le tracteur et face à l'avant, assurez-vous que la courroie n'est pas vrillée. Puis tendez votre bras pour saisir la courroie sous le tracteur et tirez-la vers la poulie de la PDF.

- Tirez le côté droit de la courroie de la PDF vers l'arrière, puis placez le côté en « V » étroit de la courroie de la PDF dans la poulie de la PDF (Fig. 42 à la page 106).
- Tout en tenant ensemble la courroie et la poulie de la PDF, faites tourner la poulie de la PDF vers la gauche (Fig. 42 à la page 106). Continuez à tenir et à faire tourner la poulie et la courroie de la PDF jusqu'à ce que la courroie de la PDF soit complètement enroulée dans la poulie de la PDF.

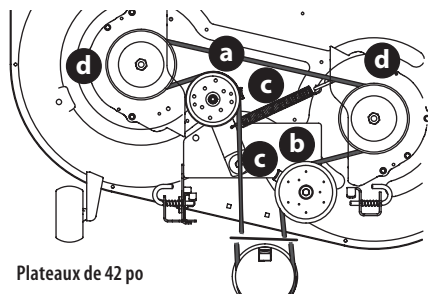
NOTE : Avant d'utiliser le tracteur, faites une seconde vérification du cheminement de la courroie pour être sûr qu'elle est acheminée correctement.

Remplacement de la courroie

- Déposez le plateau sous le tracteur (consultez le chapitre Dépose du plateau de coupe).
- Desserrez, mais ne retirez pas le matériel du galet tendeur droit (a) et gauche (b). Consultez cette page pour les plateaux de 42 pouces (Fig. 46), et page 108 pour les plateaux de 46 pouces (Fig. 47), les plateaux de 50 et 54 pouces (Fig. 48) et les plateaux 60 pouces (Fig. 49).

NOTE : Notez la position des protections de la-courroie (c) pour vous assurer qu'elles sont correctement réinstallées.

NOTE : Sur certains plateaux, il peut être nécessaire de retirer les protections de fusée pour retirer et installer la nouvelle courroie. Pour retirer les protections de fusée, retirez les vis qui les fixent au châssis.
- Retirez soigneusement la courroie des galets tendeurs (a et b) et des poulies de fusée (d).
- Installez la nouvelle courroie autour des poulies comme illustré, puis réinstallez les protections de la courroie.
- Placez la courroie autour des galets tendeurs retirés lors de l'étape 3 avec le côté « V » orienté vers l'intérieur. Une fois en place, réinstallez tout le matériel et serrez le contre-écrou à bride pour sécuriser l'ensemble.
- Acheminez la courroie comme illustré, puis réinstallez le plateau (consultez le chapitre Installation du plateau de coupe).

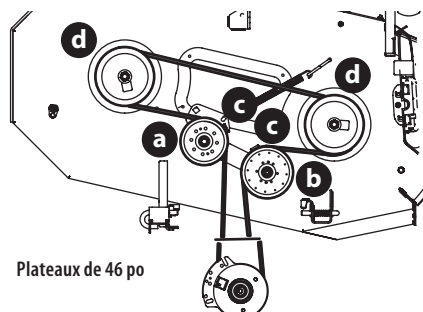


Plateaux de 42 po

Fig. 46

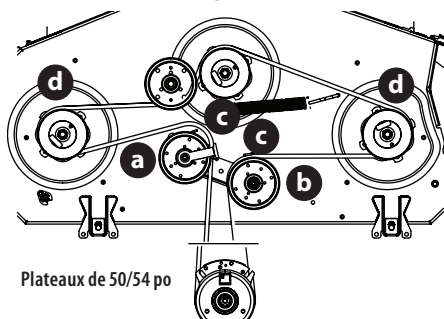
AVERTISSEMENT

Faites attention de ne pas pincer vos doigts lorsque vous retirez la courroie de la poulie.



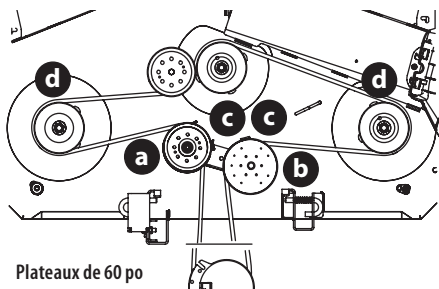
Plateaux de 46 po

Fig. 47



Plateaux de 50/54 po

Fig. 48



Plateaux de 60 po

Fig. 49

ENTRETIEN DE LA LAME DU TRACTEUR

⚠ AVERTISSEMENT

Avant d'effectuer un entretien, débrayez la prise de force et poussez les barres de conduite à fond vers l'extérieur pour engager le frein de stationnement. Arrêtez le moteur, tournez la clé de contact à la position ARRÊT (OFF), puis retirez-la si vous laissez l'appareil sans surveillance. Lorsque vous manipulez une lame, portez des gants épais pour protéger vos mains. Lors de l'entretien du plateau de coupe, soyez prudent et faites attention de ne pas vous couper avec les lames tranchantes.

Les lames de coupe doivent toujours être affûtées. Affûtez les tranchants des lames uniformément afin qu'elles restent équilibrées et conservent le même angle d'affûtage.

Si le tranchant d'une lame a déjà été affûté plusieurs fois, ou s'il y a une fissure dans le métal, il est recommandé d'installer des lames neuves. Des lames neuves sont en vente chez votre concessionnaire autorisé.

Système de lame en étoile (le cas échéant)

Vous pouvez déposer les lames comme suit :

1. Déposez le plateau sous le tracteur (consultez le chapitre Dépose du plateau de coupe) puis retournez-le avec soin pour exposer le dessous.
2. Placer un cale en bois (c) entre le carter du plateau de coupe et le tranchant de la lame (b) pour aider à débloquer l'écrou hexagonal (a) qui fixe la lame (b). Utilisez une clé de 15/16 po pour desserrer l'écrou hexagonal (a) (Fig. 50).

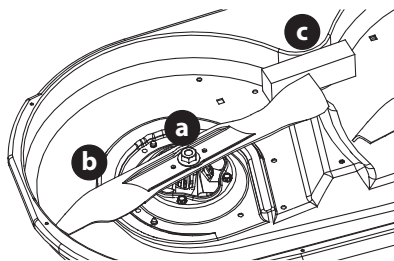


Fig. 50

3. Lorsque vous réinstallez les lames, veillez à les installer de façon à ce que les ailettes soient orientées vers le haut, vers le dessus du plateau.
4. Serrez les écrous hexagonaux (a) à 95 à 122 N-m (70-90 pi-lb).
5. Réinstallez le plateau (consultez le chapitre Installation du plateau de coupe).

Système de lames (le cas échéant)

Vous pouvez déposer les lames comme suit :

1. Déposez le plateau sous le tracteur (consultez le chapitre Dépose du plateau de coupe), puis retournez-le avec soin pour exposer le dessous.

- Placez un cale de bois (c) entre le carter du plateau de coupe et le tranchant de la lame (b) pour aider à débloquer l'écrou hexagonal (a) et la rondelle (d)* qui fixe la lame (b). Utilisez une clé de 15/16 po pour desserrer l'écrou hexagonal (a) et la rondelle (d)* (Fig. 51).

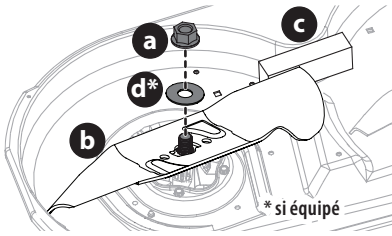


Fig. 51

- Lorsque vous réinstallez les lames, assurez-vous de ce qui suit (Fig. 51) :
 - Que les lames (b) sont installées de façon à ce que les ailettes soient orientées vers le haut, vers le dessus du plateau.
 - Que la rondelle (d)* est placée entre le bas de la lame (b) et l'écrou hexagonal (a).

IMPORTANT! Alignez la découpe en forme de «S» avec la forme correspondante du «S» sur la fusée pour un ajustement sûr.

- Serrez les écrous hexagonaux (a) à 95 à 122 N-m (70-90 pi-lb).
- Réinstallez le plateau (consultez le chapitre Installation du plateau de coupe).

CHANGEMENT DE LA COURROIE DE TRANSMISSION

Vous devez déposer certaines pièces et utiliser des outils spéciaux pour remplacer la courroie de transmission du tracteur. Communiquez avec votre concessionnaire agréé pour faire remplacer la courroie de transmission.

OSCILLATION DU TRACTEUR

L'oscillation est le léger mouvement du tracteur vers l'avant ou vers l'arrière lorsque le papillon des gaz est activé et que les leviers de commande de la vitesse sont en position neutre. Si votre tracteur oscille, consultez un revendeur agréé.

DÉPANNAGE

⚠ AVERTISSEMENT

Avant d'effectuer tout travail d'entretien, désengagez toutes les commandes, arrêtez le moteur et attendez l'arrêt complet des pièces mobiles. Débranchez les fils de bougie et le câble négatif de la batterie pour empêcher un démarrage accidentel. Portez des lunettes de sécurité pour utiliser votre appareil ou pour effectuer des réglages ou des réparations.

Cette section traite des problèmes de service mineurs. Pour localiser le centre de service autorisé le plus proche, consultez le feuillet supplémentaire séparé pour connaître les coordonnées.

Problème	Cause	Solution
Le moteur ne démarre pas	<ol style="list-style-type: none"> 1. Bouton de la prise de force/lame en prise. 2. Frein de stationnement déclenché. 3. Le fil de la bougie est débranché. 4. La manette de commande des gaz n'est pas en position de démarrage. 5. Réservoir vide ou essence éventée. 6. La conduite ou le filtre d'essence est bloqué. 7. La bougie est défectueuse. 8. Moteur noyé. 9. Fusible grillé. 	<ol style="list-style-type: none"> 1. Placez le bouton à la position (OFF) déclenchée. 2. Enclenchez le frein de stationnement. 3. Branchez le fil de la bougie. 4. Placez la manette de commande des gaz en position rapide (FAST). 5. Faites le plein avec de l'essence propre et fraîche (vieille de moins de trente jours). 6. Remplacez la conduite d'essence. Consultez un centre de service qualifié. Remplacez le filtre à carburant. 7. Nettoyez, réglez l'écartement ou remplacez la bougie. 8. Lancez le moteur avec l'accélérateur en position rapide (FAST). 9. Remplacez le fusible.
Le moteur tourne de manière erratique	<ol style="list-style-type: none"> 1. Tondeuse autoportée en marche avec démarreur activé. 2. Le fil de la bougie est desserré. 3. Conduite d'essence bloquée ou essence éventée. 4. L'évent du bouchon du réservoir est bouché. 5. De l'eau ou une saleté est présente dans le système. 6. Filtre à air sale. 	<ol style="list-style-type: none"> 1. Assurez-vous que le démarreur fonctionne. Consultez un centre de service qualifié. 2. Branchez et serrez le fil de la bougie. 3. Remplacez la conduite d'essence. Consultez un centre de service qualifié. Faites le plein avec une essence propre et fraîche et remplacez le filtre à essence. 4. Dégagez l'évent ou remplacez le capuchon s'il est endommagé. 5. Vidangez le réservoir à carburant. Faites le plein avec une essence propre et fraîche. 6. Nettoyez ou remplacez l'élément en papier du filtre à air ou nettoyez le préfiltre en mousse.
Le moteur surchauffe	<ol style="list-style-type: none"> 1. Le niveau d'huile moteur est bas. 2. La circulation d'air est entravée. 	<ol style="list-style-type: none"> 1. Remplissez le moteur de la bonne quantité et du bon type d'huile. 2. Nettoyez l'herbe coupée et les débris autour des ailettes de refroidissement du moteur et du carter du souffleur.

ENTRETIEN

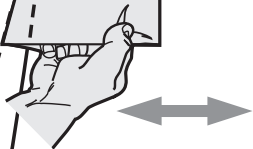
Problème	Cause	Solution
Le moteur hésite à haut régime	1. L'écartement de la bougie est trop refermé.	1. Retirez la bougie et réglez l'écartement.
Le moteur tourne mal	1. Bougie d'allumage encrassée. 2. Filtre à air sale.	1. Remplacez la bougie et réglez l'écartement. 2. Nettoyez ou remplacez l'élément du filtre à air ou le préfiltre.
Vibration excessive	1. La lame est desserrée ou mal équilibrée. 2. Lame endommagée, émoussée ou courbée.	1. Serrez la lame et l'adaptateur. Équilibrez la lame. 2. Remplacez la lame.
La coupe est irrégulière	1. Le plateau de coupe n'est pas nivelé correctement. 2. La lame est émoussée. 3. Pression inégale des pneus.	1. Effectuez un réglage latéral du plateau de coupe. 2. Aiguissez ou remplacez la lame. 3. Vérifiez la pression des quatre pneus.

SLOPE GAUGE (INDICADOR DE PENDIENTE) (INCLINOMÈTRE)



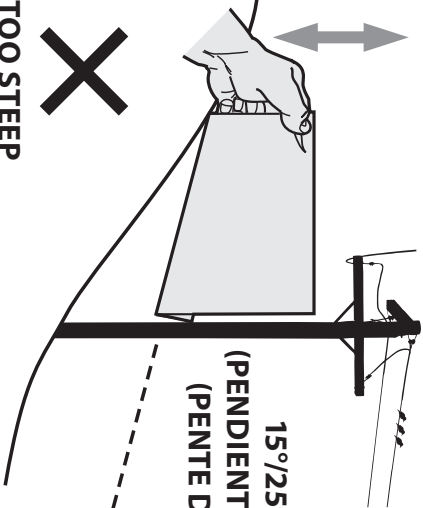
OK

15°/25% SLOPE
(PENDIENTE DE 15°/25%)
(PENDE DE 15°/25 %)



TOO STEEP
(DEMASIADO EMPINADA)
(PENDE TROP RAIDE)

15°/25% SLOPE
(PENDIENTE DE 15°/25%)
(PENDE DE 15°/25 %)



15°/25% DASHED LINE
(LÍNEA DE GUIONES A 15°/25%)
(PENDE DE 15°/25 %)

